

*Parts Manual for*

# **SNAPPER®**

## **LAWN TRACTORS ELECTRIC CLUTCH HYDRO DRIVE SERIES H & I**



### **MODEL**

**LT160H42HBV  
LT160H42HBV2  
LT160H42IBV  
LT180H42IBV  
LT180H42IBV2  
LT180H48HBV2  
LT200H42IBV2  
LT200H48IBV2  
WLT160H42HBV2  
WLT180H42IBV2  
WLT180H48HBV2  
WLT200H48IBV2**

**SNAPPER®** McDonough, GA, 30253 U.S.A.

COPYRIGHT © 2006  
SNAPPER PRODUCTS, INC.  
ALL RIGHTS RESERVED.

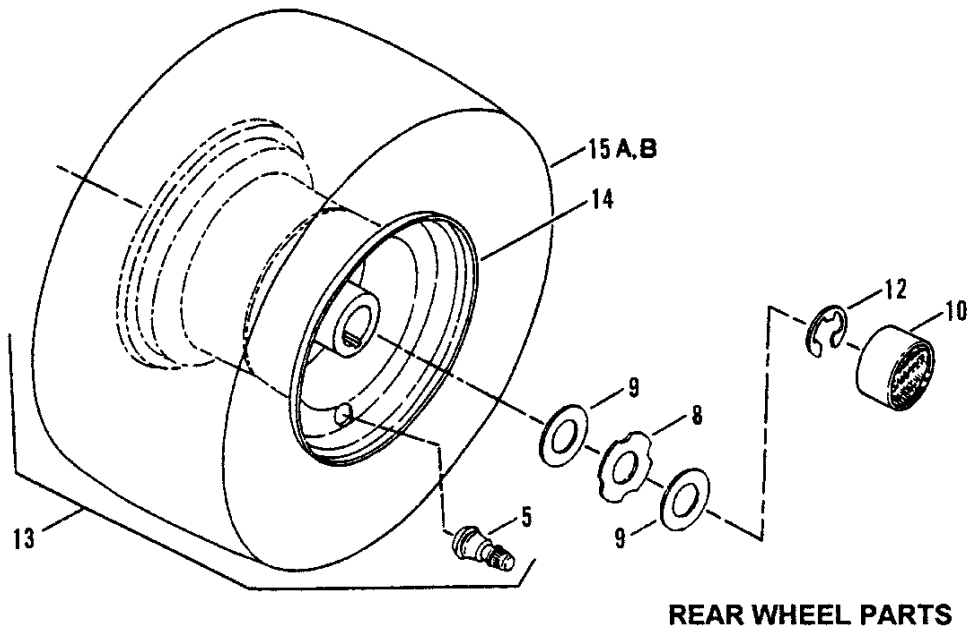
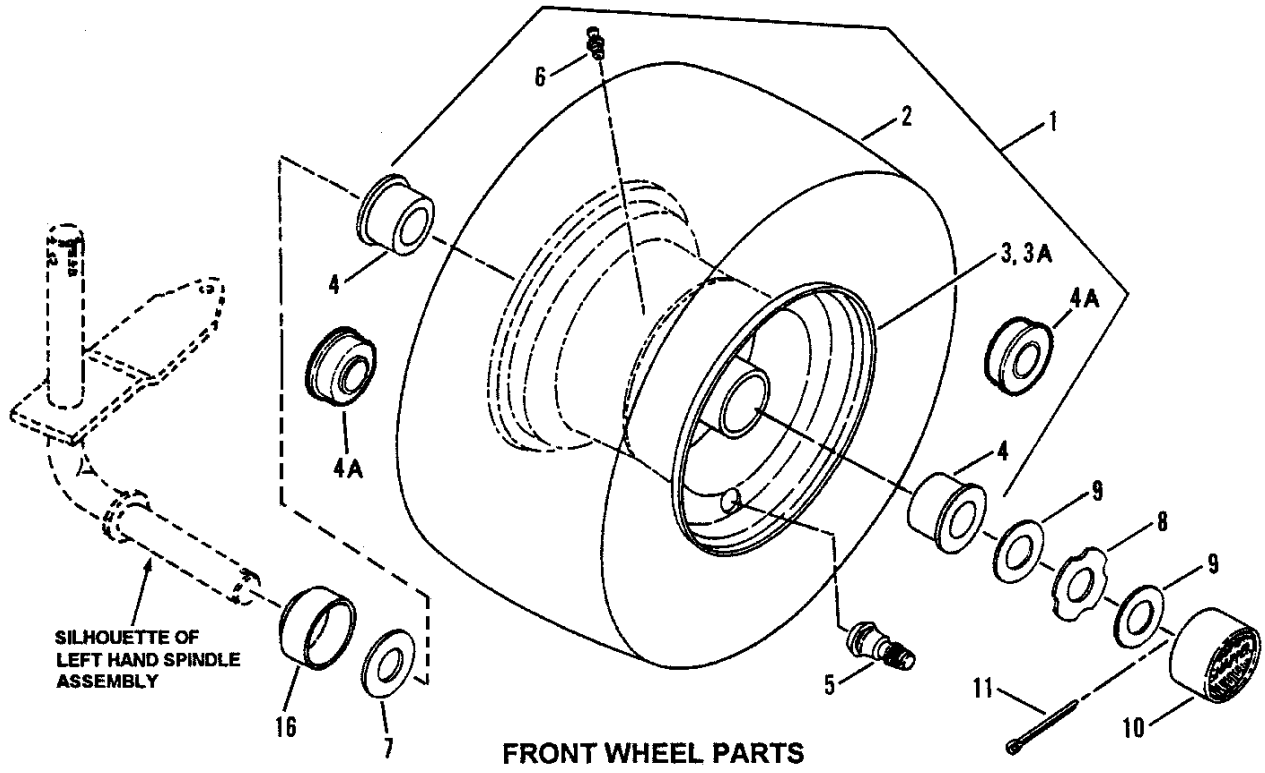
*Revision 6, 2/20/2006*

Manual No. 7006449  
TP 400-5015-6-TC-N



<b>PAGE</b>	<b>GROUP</b>
4	WHEELS, FRONT & REAR
6	HOOD, BUMPER, HEADLIGHTS & COMPONENTS
10	STEERING WHEEL, CONSOLE, FUEL TANK
14	SEAT, REAR FENDER & COMPONENTS
18	FRONT AXLE
20	FRAME, CLUTCH, BRAKE & STEERING COMPONENTS
26	TRANSMISSION GROUP (Hydro Drive)
28	HYDRO RESERVOIR ASSEMBLY
30	BLADE ENGAGEMENT & TRANSMISSION CONTROLS
34	IMPLEMENT LIFT PARTS
36	ENGINE COMPONENTS, PT.1 (Model LT160H42HBV)
38	ENGINE COMPONENTS, PT.2 (Model LT160H42HBV2)
40	ENGINE COMPONENTS, PT.3 (Model LT18H Models)
44	ENGINE COMPONENTS, PT.4 (Model LT200H Models)
48	ENGINE COMPONENTS, PT.5 (Model LT160H42IBV)
50	42" CUTTING DECK ASSEMBLY
54	BELT, BLADE BRAKE- 42" CUTTING DECK
56	SPINDLE ASSEMBLY- 42" CUTTING DECK
58	48" CUTTING DECK ASSEMBLY (Series "H") PT.1
60	48" CUTTING DECK ASSEMBLY (Series "H") PT.2
64	48" CUTTING DECK ASSEMBLY (Series "I") PT.1
66	48" CUTTING DECK ASSEMBLY (Series "I") PT.2
70	48" DECK IDLER ASSEMBLIES
72	48" DECK SPINDLE ASSEMBLY- Series "H"
74	48" DECK SPINDLE ASSEMBLY- Series "I"
76	DECALS PT. 1
78	DECALS PT. 2
80	ELECTRICAL COMPONENTS
82	ELECTRICAL SCHEMATIC (All Series "I" except LT160H42IBV)
84	ELECTRICAL SCHEMATIC (LT160H42IBV)
86	ELECTRICAL SCHEMATIC (LT160H42HBV & WLT160H42HBV)
88	ELECTRICAL SCHEMATIC (LT160H42HBV2, LT180H48HBV2)

**WHEELS, FRONT & REAR**



## WHEELS, FRONT & REAR

Item	Part No	Qty	Description	Note
1	7058517	2	ASSEMBLY, Front Tire & Rim (Incl. items 2, 3, 4, 5 & 6)	<i>used on 42" Series "H" &amp; 42" Series "I"</i>
--	7058521	2	ASSEMBLY, Front Tire & Rim (Incl. items 2, 3A, 4A, 5 & 6)	<i>used on 48" Series "H" &amp; 48" Series "I"</i>
2	7072704	1	TIRE, 15 x 6.00-6 K500 Tread Kenda	<i>per front tire assembly</i>
3	7022772	1	RIM, 6.00 x 3.50, Grey	<i>per front tire assembly</i>
3A	7071966	1	RIM, 6.00 x 4.00, Grey	<i>per front tire assembly</i>
4	7014483	2	BEARING, Wheel PM	<i>per front tire assembly</i>
4A	7028722	2	BALL BEARING, Wheel (Heim)	<i>per front tire assembly</i>
5	7012234	1	VALVE STEM, Air	<i>per front tire assembly</i>
6	7076998	1	FITTING, Lube 1/4-28 Tapered Thread	<i>Was 13876, per front tire assembly</i>
7	7010935	1	WASHER, 5/32 x 25/32" I.D. x 1-1/2" O.D. Flat	<i>per front tire assembly</i>
8	7029618	1	WASHER, Hub-Cap Retaining	<i>per rear tire assembly</i>
9	7029617	2	WASHER, 3/4 x 1-5/16 x 1/16"	<i>per rear tire assembly</i>
10	7011022	1	HUB CAP	<i>per rear tire assembly</i>
11	7091516	1	PIN, 5/32 x 1" Cotter	<i>per front tire assembly</i>
12	7010746	1	RING, 3/4" External Retaining	<i>Was 29738, per rear tire assembly</i>
13	7058519	2	ASSEMBLY, Rear Tire & Rim (Includes items 5, 14 & 15A)	<i>used on Models LT160H42HBV &amp; LT160H42IBV</i>
--	7058520	2	ASSEMBLY, Rear Tire & Rim (Includes items 5, 14 & 15B)	<i>used on Models LT160H42HBV2, LT180H48HBV2 &amp; all Series "I"</i>
14	7024454	1	RIM, 8 x 7.00 Keyed Hub Grey	<i>per rear tire assembly</i>
15A	7072706	1	TIRE, 18 x 9.50-8 K500 Tread Kenda	<i>per rear tire assembly</i>
15B	7072707	1	TIRE, 20 x 10.00-8 K500 Tread Kenda	<i>per rear tire assembly</i>
16	7031038	1	DUST CAP	<i>per front tire assembly</i>

### Footnotes:

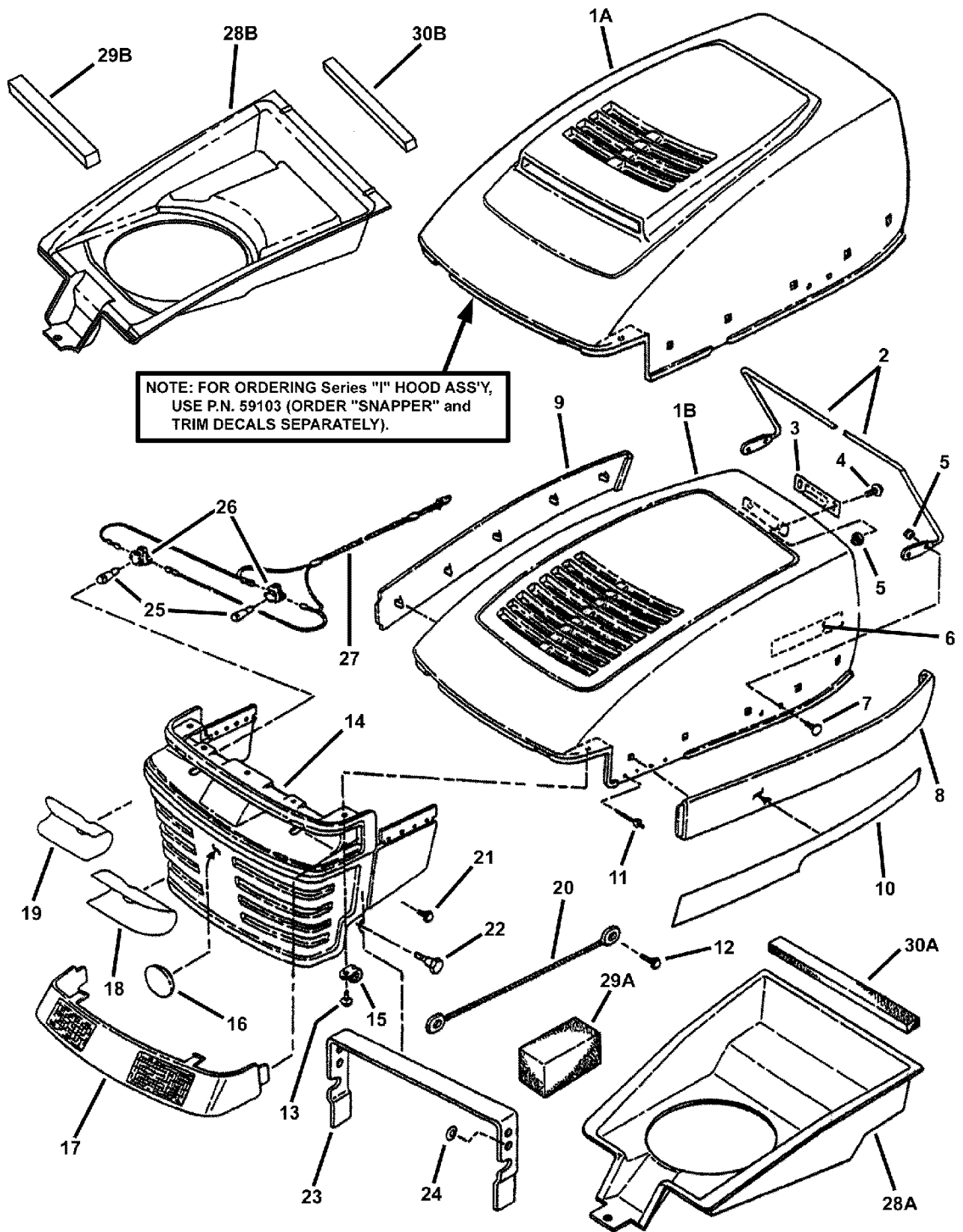


## HOOD, BUMPER, HEADLIGHTS & COMPONENTS

Item	Part No	Qty	Description	Note
1A	7063298	1	HOOD, Mozart-Scoop-Red	<i>Was 26406 or 61383, used on Models LT160H42HBV2, LT180H48HBV2 &amp; all Series "I" used on Model LT160H42HBV</i>
1B	7024471	1	HOOD, Mozart	
2	7016766	1	ROD, Hood Support	
3	7024718	1	CLIP, Spring-Latch	
4	7090999	2	SCREW, 1/4-20 x 5/8 Pan Head Self-Tap (Torx)	
5	7076978	6	NUT, 1/4-20 Hex Nyloc	
6	7073905	2	DECAL, Snapper- Hood- 3D	
7	7090803	4	BOLT, 1/4-20 x 5/8" Flat Head Square Neck, GR 2	
8	7029572	1	PANEL, Hood, Left Hand, Black	
9	7029571	1	PANEL, Hood, Right Hand, Black	
10	7029020	1	DECAL, Hood (Right Hand)	<i>used on Model LT160H42HBV</i>
--	7029019	1	DECAL, Hood (Left Hand)	<i>used on Model LT160H42HBV</i>
--	7027820	1	DECAL, LX1642H RH- Mozart Hood	<i>used on Model LT160H42HBV2</i>
--	7027821	1	DECAL, LX1642H LH- Mozart Hood	<i>used on Model LT160H42HBV2</i>
--	7046756	1	DECAL, Hood (Right Hand)	<i>used on Model LT180H48HBV2</i>
--	7046757	1	DECAL, Hood (Left Hand)	<i>used on Model LT180H48HBV2</i>
--	7075002	1	DECAL, Hood (Right Hand)	<i>used on 42" Series "I" Models</i>
--	7075003	1	DECAL, Hood (Left Hand)	<i>used on 42" Series "I" Models</i>
--	7075390	1	DECAL, Hood (Right Hand)	<i>used on Model LT160H42IBV</i>
--	7075391	1	DECAL, Hood (Left Hand)	<i>used on Model LT160H42IBV</i>
--	7075004	1	DECAL, Hood (Right Hand)	<i>used on 48" Series "I" Models</i>
--	7075005	1	DECAL, Hood (Left Hand)	<i>used on 48" Series "I" Models</i>
--	7075391	1	DECAL, Hood (Right Hand)	<i>used on Model LT180H42IBV</i>
--	7075390	1	DECAL, Hood (Left Hand)	<i>used on Model LT180H42IBV</i>
--	7078058	1	DECAL, Hood (Right Hand)	<i>used on Model LT200H42IBV2</i>
--	7078059	1	DECAL, Hood (Left Hand)	<i>used on Model LT200H42IBV2</i>
11	7091095	8	POP RIVET, 1/8 x 3/8"	
12	7092098	1	SCREW, 1/4-20 x 1-1/4" Hex Head Cap w/Locking Patch	
13	7091106	5	SCREW, M4.8 x 1.59 x 16mm HXCRHD Sems Special	
14	7029570	1	GRILL, Sloped, Black	
15	7026482	1	CLIP, "J" Open Type .4 Bundle Dia., .281 Dia. Hole	
16	7026377	1	DECAL, Molded Medallion	<i>Was 71544 (used on Series "H" Models)</i>
17	7029602	1	LENS, Rippled, Sloped	
18	7026180	1	DECAL, Lens/Reflector-LH Sloped Grill	
19	7026179	1	DECAL, Lens/Reflector-RH Sloped Grill	
20	7073446	1	LANYARD, Hood, 14-3/4" long	<i>used on Model LT160H42HBV</i>
--	7073445	1	LANYARD, Hood, 16-13/32" long	<i>used on Models LT160H42HBV2 &amp; LT180H48HBV2</i>

### Footnotes:

# HOOD, BUMPER, HEADLIGHTS & COMPONENTS



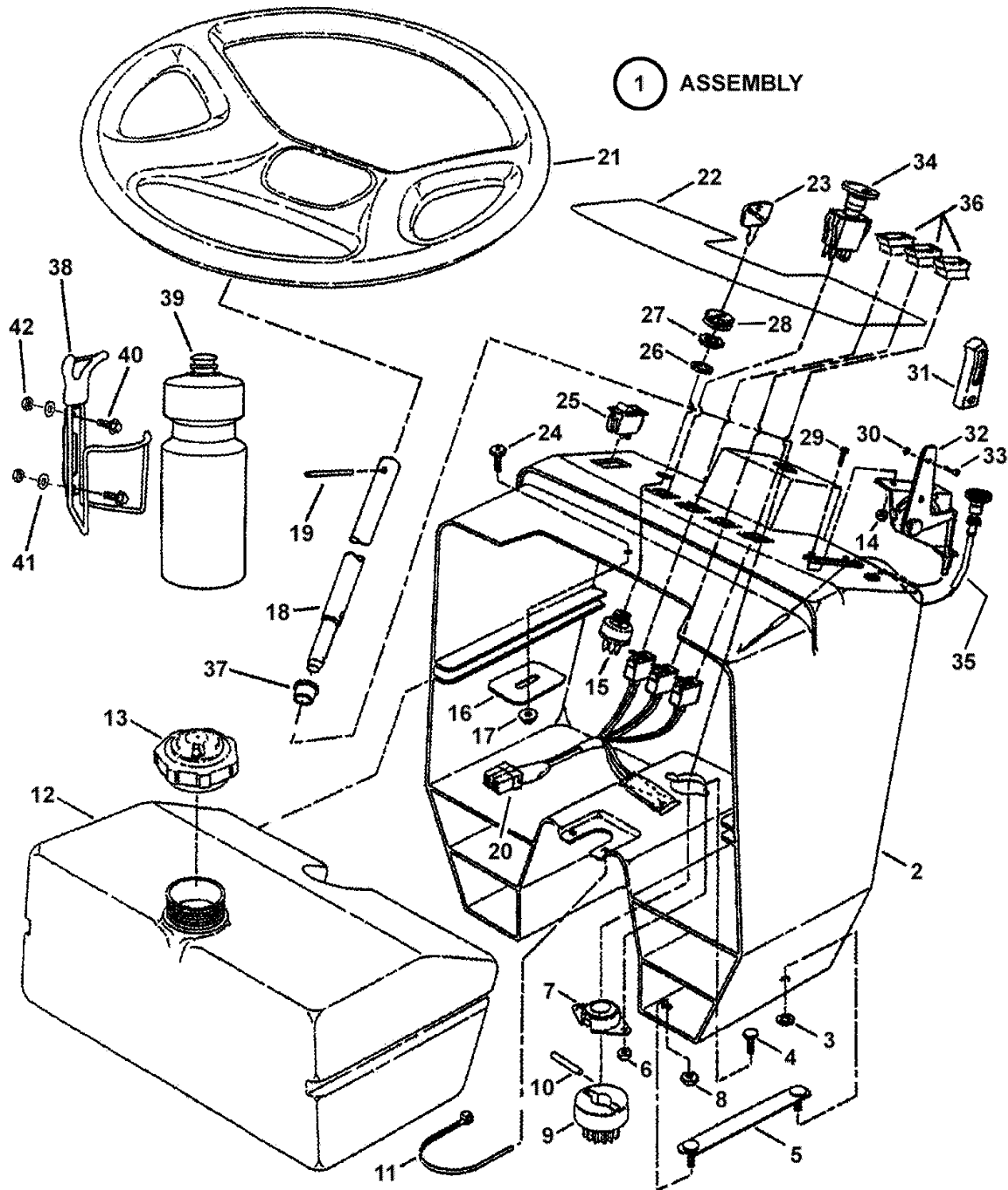


## HOOD, BUMPER, HEADLIGHTS & COMPONENTS

---

Item	Part No	Qty	Description	Note
--	7075068	1	LANYARD, Hood 14-3/4" long	<i>used on Model LT160H42IBV &amp; LT180H42IBV</i>
--	7075069	1	LANYARD, Hood, 16" long	<i>used on Series "I" Models</i>
21	7090858	4	SCREW, 5/16-18 x 1/2" Hex Washer Self-Tap	
22	7024061	2	SHOULDER BOLT, 3/8-16 thread	
23	7034324	1	BRACE. Hood Support/Stop	
24	7011791	1	RETAINER, 5/16" Bolt	
25	7026172	2	LAMP 1141	
26	7024709	2	SOCKET, Headlight Snap-In	
27	7026171	1	HARNESS, Headlight M&G Sockets	
28A	7028764	1	PLENUM	<i>used on Models LT160H42HBV2 &amp; LT180H48HBV2 only</i>
28B	7074966	1	PLENUM	<i>used on Series "I" Models</i>
29A	7026844	1	FOAM, 2 x 2 x 3.5"	<i>used on Models LT160H42HBV2 &amp; LT180H48HBV2 only</i>
29B	7072355	1	FOAM, 1 x 1 x 10"	<i>used on Series "I" Models</i>
30A	7026803	1	FOAM, 1/2 x 3/4 x 14.25"	<i>used on Models LT160H42HBV2 &amp; LT180H48HBV2 only</i>
30B	7072354	1	FOAM, 3/4 x 3/4 x 10-3/4"	<i>used on Series "I" Models</i>

### Footnotes:

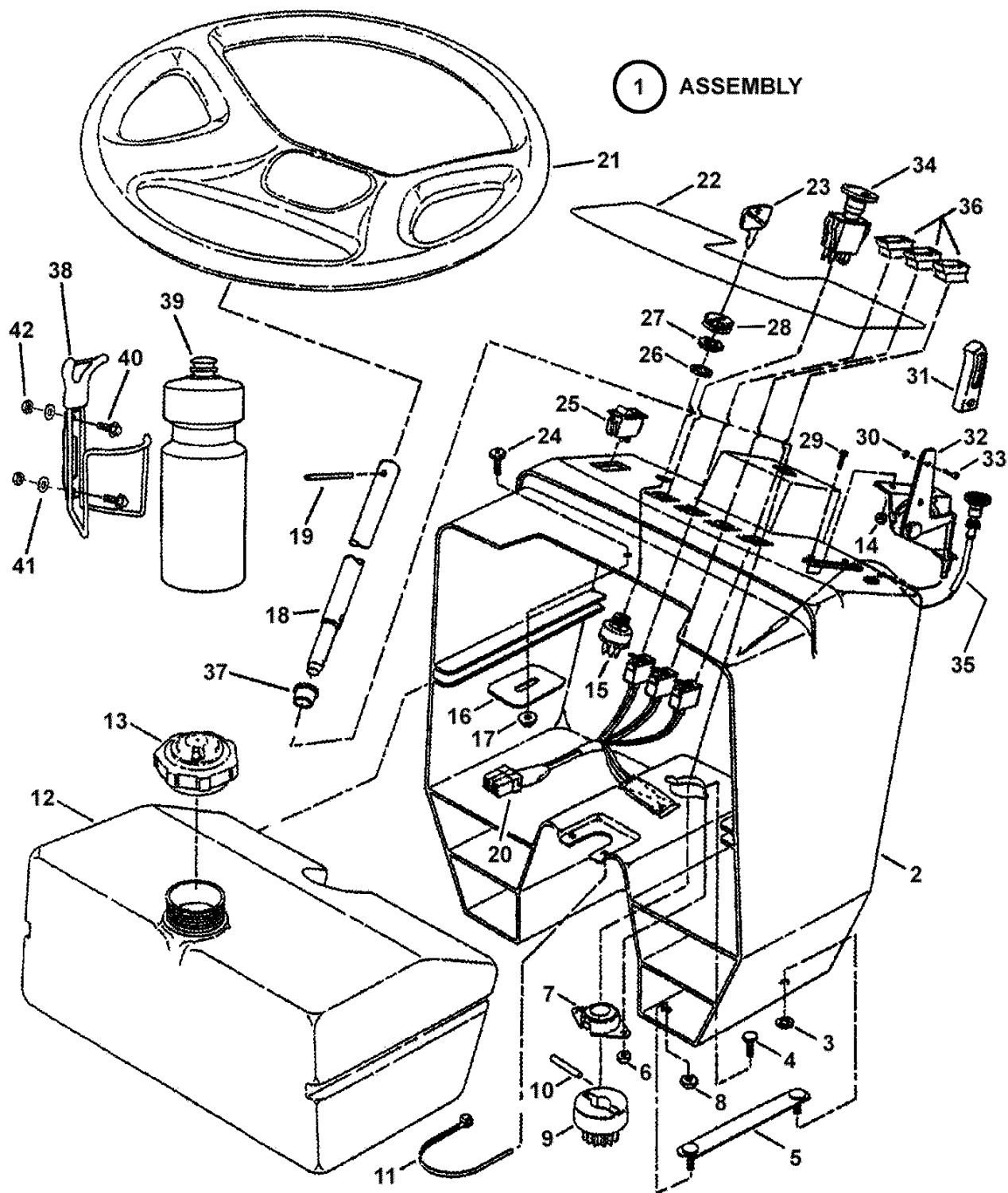


## STEERING WHEEL, CONSOLE, FUEL TANK

Item	Part No	Qty	Description	Note
1	7053746	1	ASSEMBLY, Console (Includes items 2 thru 7)	<i>used on all models</i>
2	7028565	1	CONSOLE, OPPLT-Electric Clutch	
3	7011791	4	RETAINER, 5/16" Bolt	
4	7091495	2	SCREW, 1/4-20 x 3/4" Hex Head Cap, GR 5	
5	7053398	2	ASSEMBLY, Strap-Clinch Stud	<i>replaces 52891</i>
6	7076978	2	NUT, 1/4-20 Hex Nyloc	
7	7026196	1	ASSEMBLY, BEARING, Flange .75 I.D. PM	
8	7091575	4	NUT, 5/16-18 Hex Center Lock, GR 5 or B	
9	7022368	1	GEAR, Pinion, Steering	
10	7022369	1	PIN, Dowel, 1/4 x 1-1/4"	
11	7024641	1	WIRE TIE, 1.29 long Black	<i>LT160H42HBV2 &amp; LT180H48HBV2 only</i>
12	7052907	1	ASSEMBLY, Fuel Tank/Cap 8-QT (Includes item 13)	
13	7012515	1	CAP, Fuel Tank	<i>Was 14363</i>
14	7091290	2	NUT, #10-24 Hex Nyloc	<i>Was 91599</i>
15	7026343	1	SWITCH, Ignition-Afterfire Solenoid (Includes item 27)	
16	7090951	1	NUT, 5/16-18 Hex Large Flange Center Lock	
17	7033883	1	BRACKET, Hood Latch Catch	
18	7022380	1	SHAFT, Steering	
19	7012765	1	PIN, .26 x 2-1/4" Spiral	
20	7028679	1	LIGHT CLUSTER, Indicator	<i>LT160H42HBV2, LT180H48HBV2 &amp; all Series "I"</i>
21	7029595	1	STEERING WHEEL, Kelch Vector	
22	7028562	1	DECAL, Console	<i>used on Model LT160H42HBV</i>
--	7028563	1	DECAL, Console	<i>LT160H42HBV2 &amp; LT180H48HBV2</i>
--	7075447	1	DECAL, Console	<i>used on Model LT160H42IBV</i>
--	7075308	1	DECAL, Console	<i>used on all other Series "I" Models</i>
23	7073406	1	KEY, Switch (With Cover)	<i>Was 23504</i>
24	7091001	1	SCREW, 5/16-18 x 5/8" Truss Head (Torx)	
25	7023187	1	LIGHT SWITCH, Rocker SPST	
26	7029714	1	SPACER, .65 x .88 x .10	<i>LT160H42HBV &amp; LT160H42HBV2 only</i>
27	7012685	1	NUT, 5/8-32 Hex	<i>Was 29721</i>
28	7023506	1	BEZEL	
29	7091188	2	SCREW, #10-24 x 5/8" Flat Head Cross Countersunk Machine	
30	7091018	1	NUT, #8-32 Hex, GR 2 or B	
31	7023655	1	LEVER, Throttle Control	
32	7024642	1	CONTROL, Throttle (conduit length: 44.60")	<i>used on Model LT160H42HBV</i>
--	7028564	1	CONTROL, Throttle (conduit length: 26.25")	<i>LT160H42HBV2, LT180H48HBV2 &amp; Series "I"</i>
--	7075449	1	CONTROL, Throttle (conduit length: 48.0")	<i>used on Model LT160H42IBV</i>

### Footnotes:

NOTE: Snapper Part Number is stamped on throttle control conduit.



## STEERING WHEEL, CONSOLE, FUEL TANK

---

Item	Part No	Qty	Description	Note
--	7024530	1	CONTROL, Throttle (conduit length: 47.60")	<i>used on Model LT180H42IBV</i>
33	7091017	1	SCREW, #8-32 x 3/8" Cross-Recessed, Fillester Head, GR 2	
34	7028542	1	SWITCH, PTO Electric Clutch	
35	7028566	1	CABLE, Choke Control	<i>LT160H42HBV2, LT180H48HBV2 &amp; all Series "I" except LT160H42IBV</i>
--	7075448	1	CHOKE CABLE, 16HP Single Intek B&S	<i>used on Model LT160H42IBV</i>
36	7025007	3	LENS, Indicator Light	<i>LT160H42HBV2, LT180H48HBV2 &amp; Series "I"</i>
37	7035496	1	BEARING, .750 I.D.	
38	7074560	1	HOLDER, BOTTLE (wire)	
39	7074561	1	BOTTLE, Water	
40	7091075	2	SCREW, #10-24 x 5/8" Hex Washer Self-Tap	<i>Was 90363</i>
41	7091552	2	WASHER, .219 x .500 x .049 Flat	
42	7091290	2	NUT, #10-24 Hex Nyloc	<i>replaces 91599</i>

### Footnotes:

NOTE: Snapper Part Number is stamped on throttle control conduit.



## SEAT, REAR FENDER & COMPONENTS

Item	Part No	Qty	Description	Note
1	7059214	1	ASSEMBLY, Seat Support-Electric PTO (Incl. items 2 thru 6)	<i>replaces 53745</i>
2	7074204	1	SUPPORT, Seat- Electric Clutch	<i>replaces 28579</i>
3	7023354	1	SWITCH, Seat, Gray (NC)	
4	7073266	2	SPRING, Cushion Holder	
5	7028580	1	HOLDER, Seat Cushion Electric Clutch	
6	7015707	1	SWITCH, Seat, Black (NO)	
7	7017875	2	KNOB, 3 Prong 5/16-18 x 2" Stud	
8	7091001	4	SCREW, 5/16-18 x 5/8" Truss Head (Torx)	
9	7091819	4	SCREW, 1/4-20 x 5/8" Hex Washer Self-Tap	<i>Was 90362</i>
10	7073346	1	SEAT PAN, Tractor- "No Mow in Reverse" Fender	
11	7091761	2	RIV-NUT, 5/16-18 Round	
12	7073905	1	DECAL, Snapper- Hood- 3D, Silver Letters	<i>replaces 22971</i>
13	7026415	1	DECAL, Caution-Battery Installation, Fender	
14	7073344	1	SUPPORT, Fender, Electric Clutch-K 46	
15	7091523	2	SCREW, 5/16-18 x 5/8" Hex Washer Head, Swage Form	
16	7091524	2	SCREW, 5/16-18 x 1-1/4" Swage	
17	7091105	4	SCREW, #10-16 x 1/2 HXWA	
18	7073347	1	QUADRANT- Shift- No Mow in Reverse	
19	7073408	1	COVER, Shift (Black)	
20	7073424	1	DECAL, Shift Cover Hydro	
21	7091525	3	BOLT, 5/16-18 x 1/2" Hex Flange Lock, GR5	
22	7033318	1	SUPPORT, Seat, Upper	
23	7074452	1	ROD, Seat Hinge	
24	7091503	1	HAIR PIN, 3/32 x 1.5"	
25	7035579	1	SEAT, Operator, V560 (shown)	
-	7044897	1	SEAT, Milsko High Back (XB150) (not shown)	<i>used on Series "I" Models</i>
26	7019109	2	SPRING COVER, Rubber	
27	7090913	1	SCREW, #10-24 x 1/2" Hex Washer Self-Tap (Torx)	
28	7028571	1	RECEPTACLE, Female Wire Harness Relay	<i>used on Model LT160H42HBV</i>
-	7028520	1	RECEPTACLE, Female Wire Harness Relay	<i>used on LT160H42HBV2 &amp; LT180H48HBV2</i>
-	7072722	1	HARNESS, Main LT18 & 20 HP V-Twin Electric Clutch	<i>used on Series "I" Models</i>
29	7058851	1	ASSEMBLY, Stop Latch- Lock Out	
30	7073306	1	LATCH, Override-No Mow in Reverse	
31	7015761	1	SHOULDER BOLT, 5/16-18	
32	7090953	3	SHIM-WASHER	
33	7091298	1	NUT, 5/16-18-3B Hex Nyloc	
34	7073223	1	SPRING, Extension- Manual No Mow	

### Footnotes:





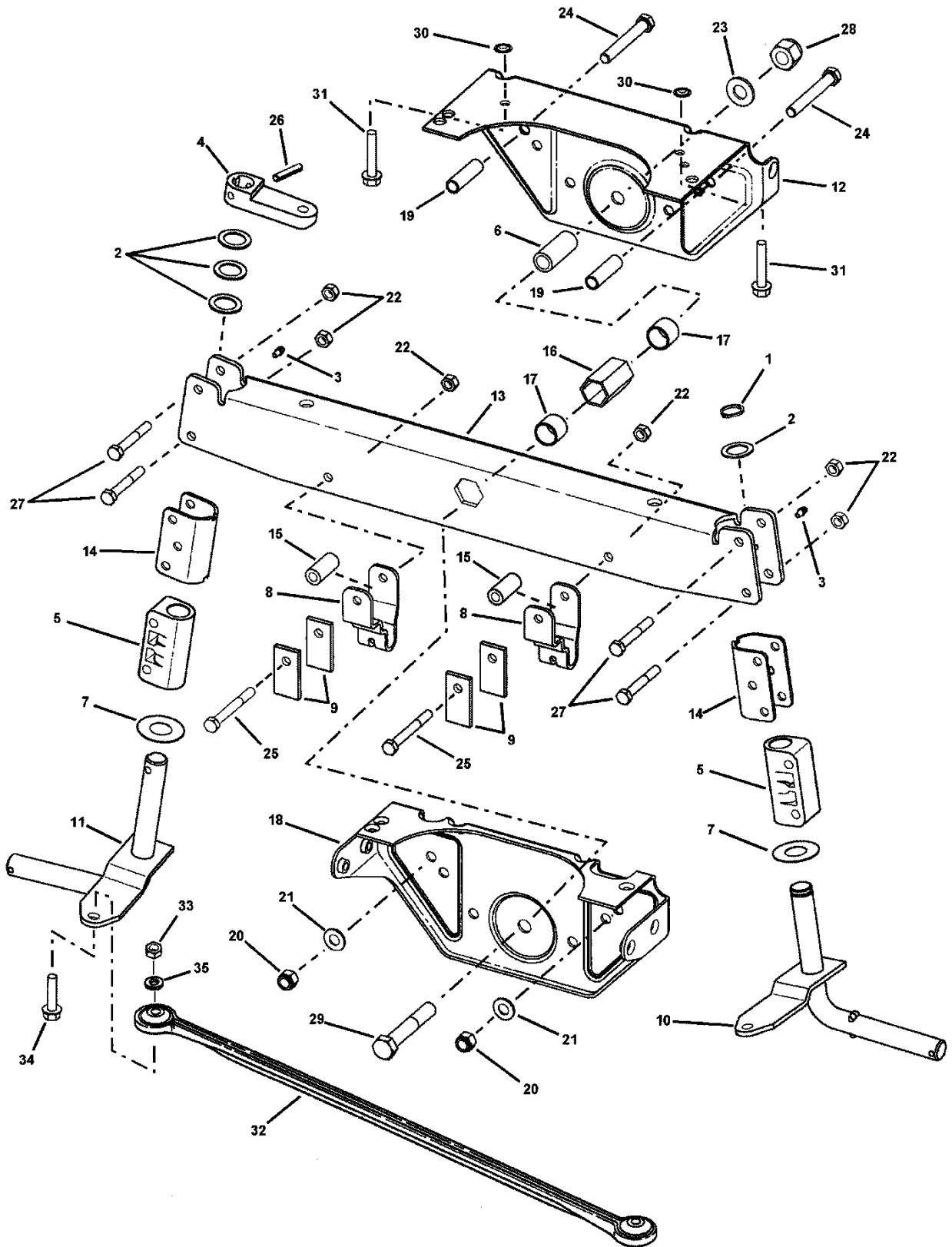
## **SEAT, REAR FENDER & COMPONENTS**

---

<b>Item</b>	<b>Part No</b>	<b>Qty</b>	<b>Description</b>	<b>Note</b>
35	7073307	1	SOLENOID, Electric	
36	7073308	1	ROD, Connecting- No Mow in Reverse	
37	7090913	2	SCREW, #10-24 x 1/2" Hex Washer Self-Tap (Torx)	<i>Was 90307</i>
38	7074632	1	CAP - Vinyl	

### **Footnotes:**

# FRONT AXLE

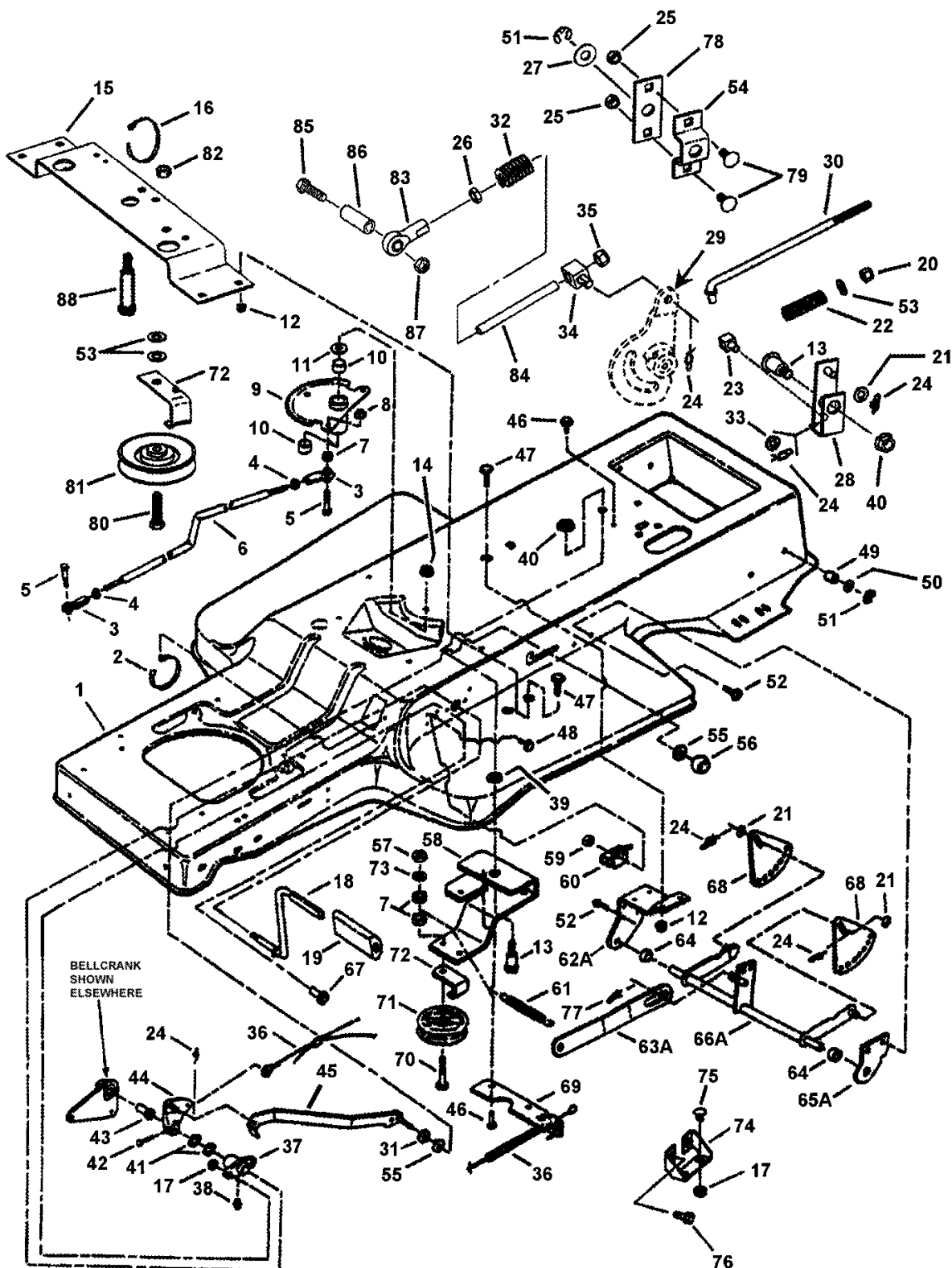


## FRONT AXLE

Item	Part No	Qty	Description	Note
1	7010746	1	RING, 3/4" External Retaining	
2	7010935	3	WASHER, 3/4" x 1-1/8" Flat	
3	7014669	3	LUBE FITTING 57352	
4	7019034	1	ARM, Steering	
5	7019467	1	BEARING, Spindle	
6	7028689	1	SPACER, .5 x .75 x 1.78	
7	7031036	2	THRUST WASHER	
8	7033383	2	BRACKET, Deck Hanger-Front Axle.	
9	7035372	2	SPACER, Steering Stop, Cast Axle	
10	7041251	1	WELDMENT, Right Hand Spindle Wheel	
11	7041250	1	WELDMENT, Left Hand Spindle Wheel	
12	7074423	1	BRACKET, Cast Axle Front	<i>used on Series "H" Models</i>
-	7075080	1	BRACKET, Cast Axle, Front	<i>used on Series "I" Models</i>
13	7073851	1	AXLE, Steel- Tractor	
14	7073852	2	SPACER, Spindle Bearing- Steel Axle	
15	7073853	2	SPACER, Axle- Steel	
16	7073855	1	SPACER, Hex	
17	7074182	2	BEARING, 3/4" I.D. DX	
18	7074424	1	BRACKET, Cast Axle, Rear	
19	7074600	2	SPACER, .39 x .5 x 1.72	
20	7091299	2	NUT, 3/8-16 Hex Nyloc	<i>Was 76979</i>
21	7090122	2	WASHER, 3/8" Flat SAE	
22	7091575	5	NUT, 5/16-18 Hex Center Lock	<i>Was 90184</i>
23	7090250	3	WASHER, 1/2" Flat	
24	7091557	2	SCREW, 3/8-16 x 2-3/4" Hex Head Cap, GR2	<i>Was 90795</i>
25	7090831	2	SCREW, 5/16-18 x 2-3/4" Hex Head Cap, GR5	
26	7090842	1	ROLL PIN, 1/4 x 1-1/4"	
27	7027174	4	SCREW, 5/16-18 x 2" Hex Head Cap, GR5	<i>Was 90930</i>
28	7091121	1	NUT, 1/2-13 Hex Nyloc	
29	7091821	1	SCREW, 1/2-13 x 3" Hex Head Cap, GR5	<i>Was 91694</i>
30	7011791	2	RETAINER, 5/16" Bolt	
31	7091264	2	BOLT, 5/16-18 x 1-3/4" Hex Flange Lock, GR5	
32	7028326	1	TIE ROD, Reduced Radius	
33	7091302	2	NUT, 3/8-16 Hex , GR5 or B	
34	7091497	2	SCREW, 3/8-16 x 1-1/2" Hex Head Cap, GR5	
35	7091320	2	WASHER, 3/8" Split Lock	

### Footnotes:

# FRAME, CLUTCH, BRAKE & STEERING COMPONENTS

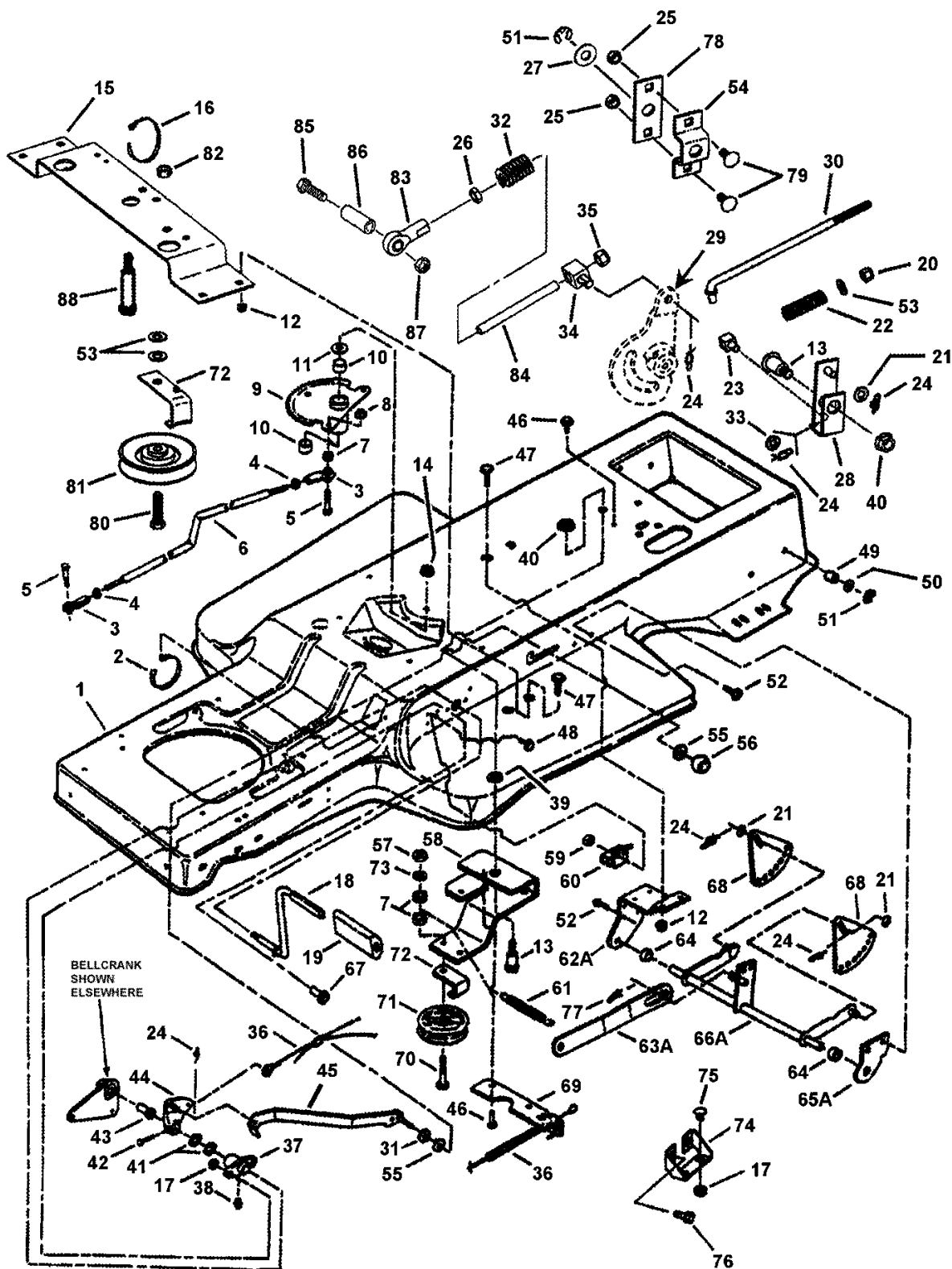


## FRAME, CLUTCH, BRAKE & STEERING COMPONENTS

Item	Part No	Qty	Description	Note
1	7073345	1	FRAME, Tractor (1 piece)	
-	7075079	1	FRAME, Tractor (1 piece)	<i>used on Series "I" Models</i>
2	7014451	1	CABLE TIE, 3.19	
3	7027936	2	ROD END, Pump Control Linkage, 3/8-24 thread	
4	7090482	2	NUT, 3/8-24 Hex Jam	
5	7090163	2	SCREW, 3/8-24 x 1-1/4" Square Neck Carriage	
6	7028420	1	DRAGLINK	
7	7024180	3	SPACER, Tie Rod	
8	7091619	1	NUT, 3/8-16 Hex Flange Lock	<i>Was 90613</i>
9	7053568	1	ASSEMBLY, Steering Sector (Includes 41267, Weldment & item 10)	
10	7012706	2	BEARING, Sleeve, .875 O.D. x .75	
11	7031036	1	THRUST WASHER	
12	7091584	6	NUT, 1/4-20 Hex Flange Lock	<i>Was 90583</i>
13	7022381	2	SHOULDER BOLT, 1/2-13 thread	
14	7090975	1	NUT, 1/2-13 Hex Center Lock, GR A	
15	7072636	1	BRACE, Sector Gear	
16	7012080	1	CABLE TIE, 7"	
17	7091601	4	NUT, 5/16-18 Hex Flange Lock, GR5	<i>Was 90585</i>
18	7022743	1	PEDAL, Clutch/Brake	
19	7012661	1	PEDAL PAD	
20	7091299	1	NUT, 3/8-16-3B Hex Nyloc	
21	7090122	2	WASHER, 3/8" Flat SAE	
22	7024381	1	SPRING, Brake	
23	7028037	1	SWIVEL, Inline Brake Arm	
24	7091593	6	COTTER PIN, 3/8 x 1-7/32" Self Lock	
25	7091575	2	NUT, 5/16-18 Hex Center Lock, GR5 or B	
26	7092031	1	NUT, 5/16-24 Hex Jam	
27	7090517	1	WASHER, .44" I.D. Flat	<i>Was 91300</i>
28	7058339	1	WELDMENT, Brake Bellcrank	
29	-	1	ARM, Speed Control (Component of Transaxle, see Transmission Page)	
30	7072369	1	ROD, Brake- K46	
31	7090188	1	WASHER, 5/16 x .11/16 x .08 Flat	
32	7046782	1	SPRING, Rectangular Wire Die, Blue	
33	7032070	2	WASHER, 13/32 x 3/4" Flat	
34	7073607	1	SWIVEL, Shift Linkage- PM	
35	7092058	1	NUT, 5/16-24 Hex Nyloc	
36	7072626	1	CABLE, Clutch/Brake- K46	

### Footnotes:

# FRAME, CLUTCH, BRAKE & STEERING COMPONENTS

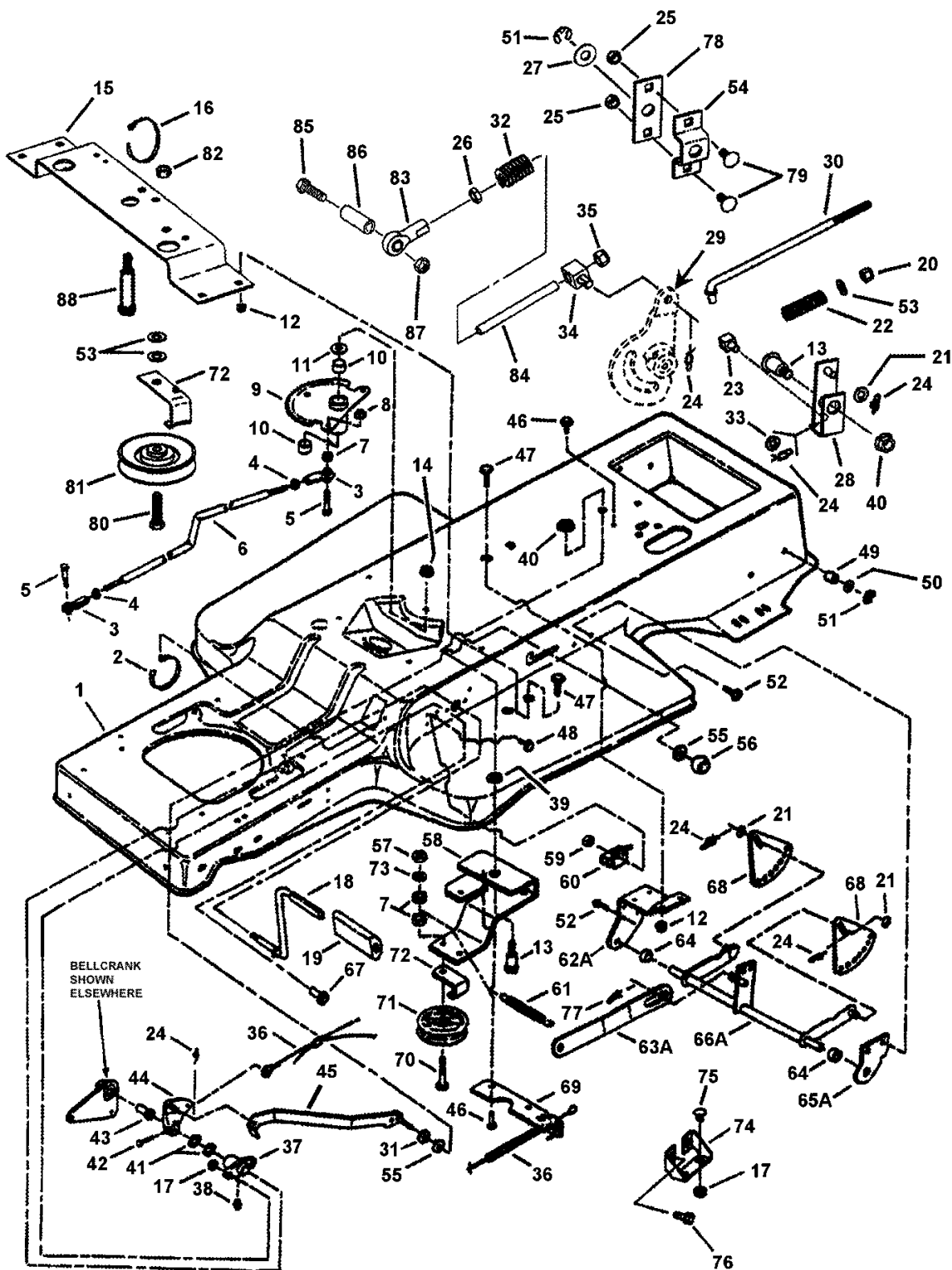


## FRAME, CLUTCH, BRAKE & STEERING COMPONENTS

Item	Part No	Qty	Description	Note
37	7052431	1	ASSEMBLY, Pivot-Foot Shaft (Includes item 38)	
38	7013864	1	LUBE FITTING, Straight (press-fit for .187 dia. Hole)	
39	7090509	1	WASHER, 1/2" Internal Tooth Lock	
40	7090619	1	NUT, 1/2-13 Hex Flange Lock	
41	7027344	2	WASHER, .64 x .99 x .05 Flat	Was 15992
42	7023645	1	PIN, 3/16 x 1-1/2" Clevis	
43	7022742	1	BEARING, Flange	
44	7041236	1	ASSEMBLY, Clutch/Brake Arm	
45	7041244	1	WELDMENT, Parking Brake, OPPLT	
46	7090361	3	SCREW, 5/16-18 x 5/8" Hex Washer Self-Tap	
47	7090803	6	BOLT, 1/4-20 x 5/8" Flat Head Square Neck, GR2	
48	7091240	2	SCREW, #10-32 x 5/8" Hex Washer Head Machine, GR5	
49	7011016	2	BUSHING, 1/2" Nylon	
50	7091587	2	WASHER, .531 x 1.062 x .121 Flat SAE	
51	7014341	3	RING, 1/2" External Retaining	
52	7091001	5	SCREW, 5/16-18 x 5/8" Truss Head (Torx)	
53	7090122	3	WASHER, 3/8" Flat	Was 91514
54	7072298	1	BRACKET, Pivot Mounting	
55	7023649	2	WASHER, 5/16 Nylon	
56	7072403	1	KNOB, Brake/Clutch- 5/16-18 thread	
57	7091302	1	NUT, 3/8-16 Hex , GR5 or B	
58	7033557	1	ARM, Idler-Traction Drive	
59	7090376	2	NUT, #10-32 Hex Nyloc	
60	7023355	1	SWITCH- DPDT	
61	7024383	1	SPRING, Traction Drive	
62A	7034410	1	BRACKET, Rear Lift/PTO Lever, Extruded	
62B	7047068	1	*BRACKET, Rear Lift/PTO Lever, Extruded	(not shown)
63A	7034850	1	LINK, Lift	used on LT160H42HBV, LT160H42HBV2 & 42" Series "I" Models
63B	7046758	1	*LINK, Lift	(not shown) used on 48" Series " H" & "I" Models
64	7034384	2	SPACER, .515 x .688 x .403	
65A	7033520	1	BRACKET, Deck Hang Pivot	
65B	7047055	1	*BRACKET, Rear Hanger- LH	(not shown)
66A	7041256	1	WELDMENT, Rear Lift Arm, 38/42	
66B	7047052	1	*WELDMENT, Rear Lift	(not shown)
67	7091000	2	SCREW, 5/16-18 x 7/8" Truss Head (Torx)	
68	7034377	2	SECTOR, Lift Plate	
69	7034326	1	EXTENSION, Idler Arm	
70	7091560	1	SCREW, 3/8-16 x 2-1/4" Hex Head Cap, GR5	

### Footnotes:

# FRAME, CLUTCH, BRAKE & STEERING COMPONENTS



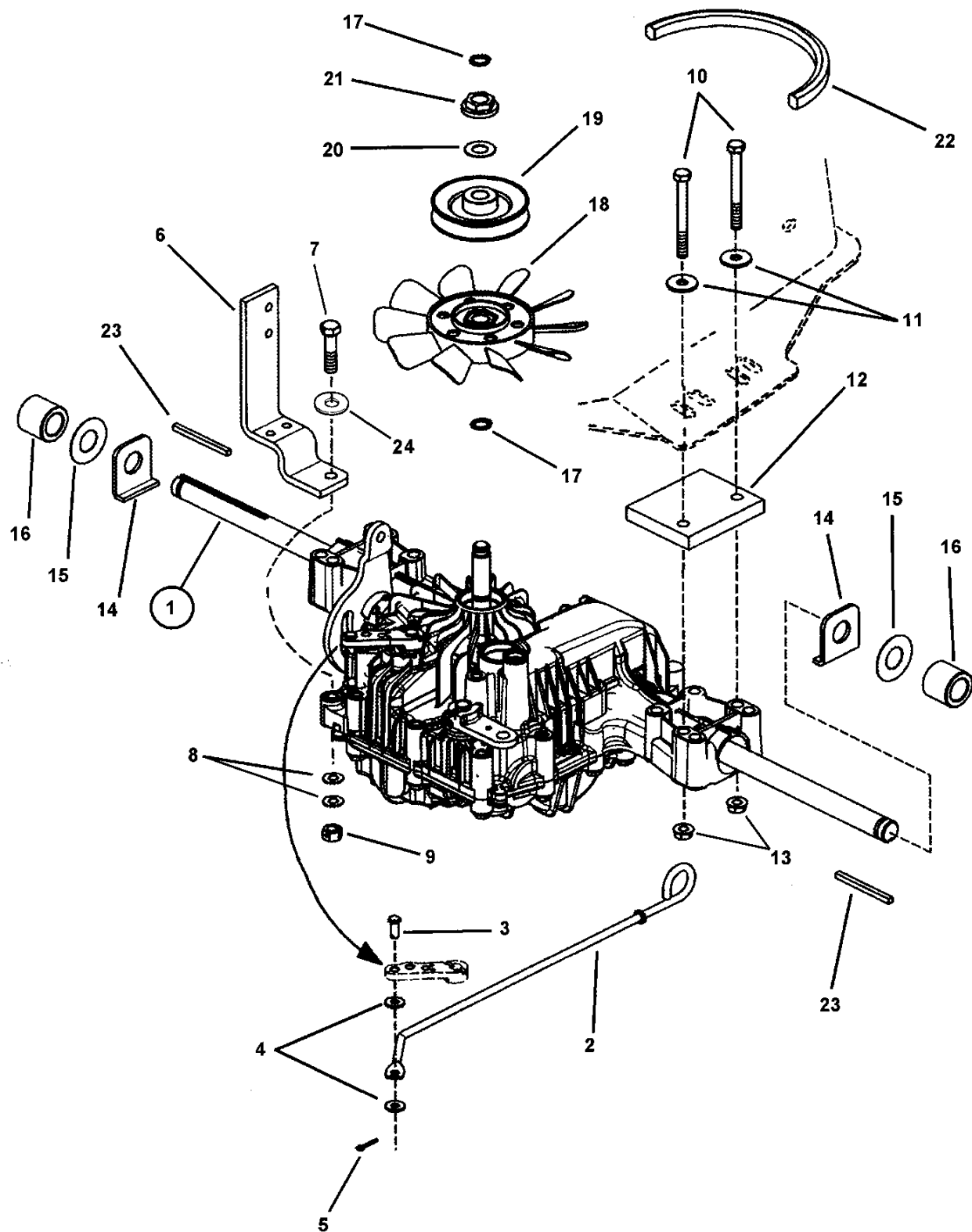


## FRAME, CLUTCH, BRAKE & STEERING COMPONENTS

---

Item	Part No	Qty	Description	Note
71	7023954	1	PULLEY, 3.47 O.D. Flat Idler	
72	7033556	2	BELT GUIDE, 3-1/2" Dia.	
73	7091320	1	WASHER, 3/8" Split Lock	
74	7047072	1	*BRACKET, Frame Brace	
75	7090731	2	*BOLT, 5/16-18 x 1/2" Short Neck Carriage, GR5	
76	7091541	2	*SCREW, 5/16-18 x 3/4" Hex Washer Self-Tap	Was 90368
77	7091593	1	*PIN, 3/8 Self Lock Cotter	Was 24159
78	7072598	1	BRACKET, Mounting Brace	
79	7090316	2	BOLT, 5/16-18 x 3/4" Square Neck Carriage GR5	Was 91097
80	7091497	1	SCREW, 3/8-16 x 1-1/2" Hex Head Cap, GR5	
81	7024344	1	PULLEY, Idler V, 3.30 HA	
82	7091585	1	NUT, 3/8-16 Hex Center Lock, GR5 or B	
83	7027139	1	ROD END, Pump Control Linkage, 5/16-24 thread	
84	7073608	1	ROD, Shift Linkage	
85	7091540	1	SCREW, 5/16-18 x 1-1/2" Hex Head Cap, GR5	Was 91066
86	7029973	1	SPACER, .38 I.D. x .56 O.D. x .75 thick	
87	7091575	1	NUT, 5/16-18 Hex Center Lock, GR5 or B	
88	7024604	1	SHOULDER BOLT, 1/2-13 thread x 3"	

### Footnotes:



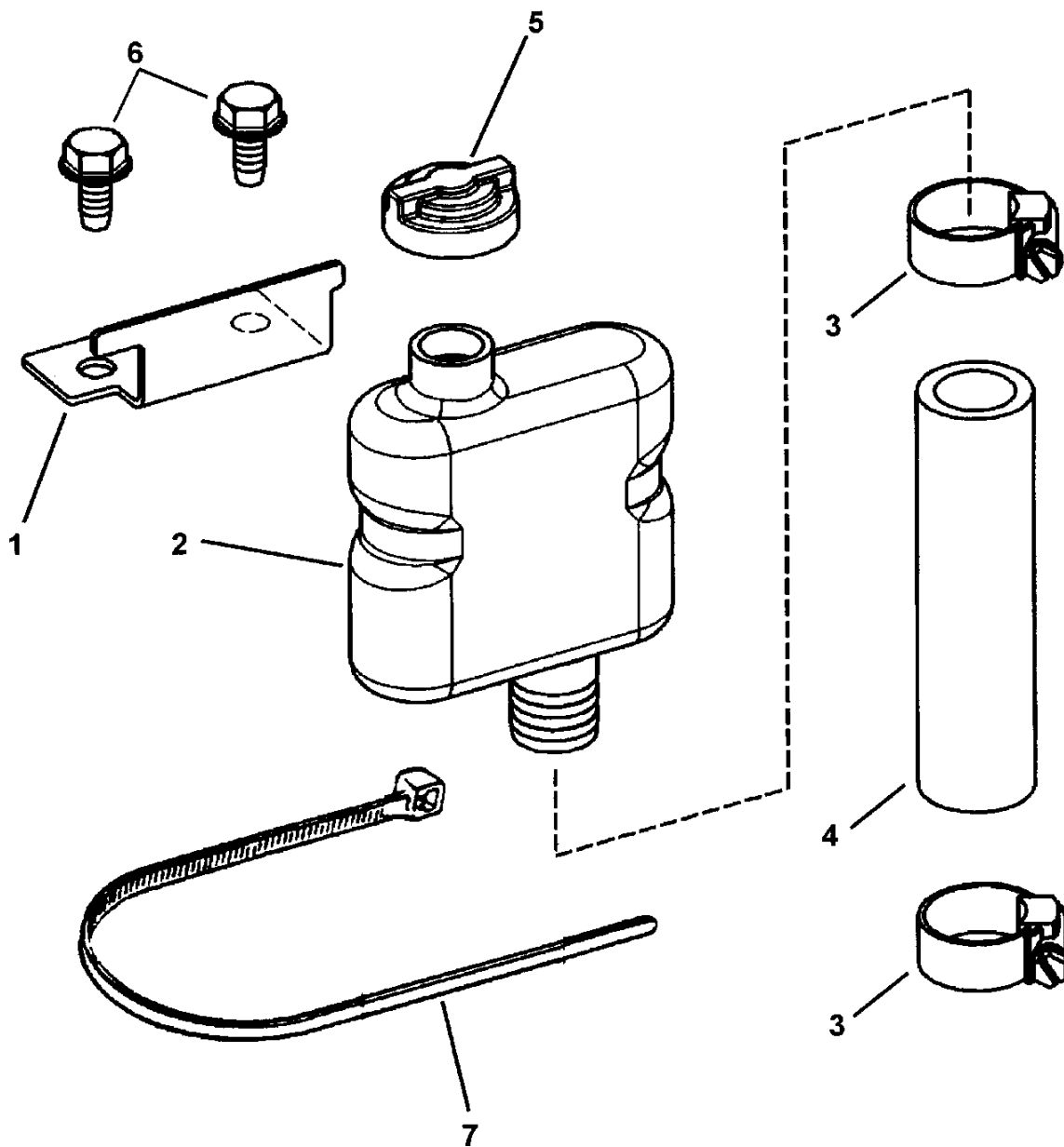
## TRANSMISSION GROUP (Hydro Drive)

---

Item	Part No	Qty	Description	Note
1	7074398	1	ASSEMBLY, Transaxle-Tuff Torq, hand control K46 Hydro	
2	7072387	1	ROD, Roll Release- K46	
3	7091708	1	PIN, 1/4 x 5/8" Clevis	
4	7091294	2	WASHER, 1/4 x 5/8 x 1/16" Flat	Was 90055
5	7091597	1	PIN, 3/32 x 1/2" Cotter	Was 90555
6	7072601	1	BRACKET, Torque/Spool- TTK46	
7	7027174	1	SCREW, 5/16-18 x 2" Hex Head Cap, GR5	
8	7090188	2	WASHER, 5/16 x 11/16 x 1/16" Flat, GR5	Was 91296
9	7091298	1	NUT, 5/16-18-3B Hex Nyloc	
10	7091830	4	SCREW, 5/16-18 x 3" Hex Head Cap, GR5	
11	7091675	4	WASHER, .34 x 1.0 x .09 Flat	
12	7073613	4	SPACER, Hydro Axle- Steel- K46	
13	7091601	4	NUT, 5/16-18 Hex Flange Lock, GR5	
14	7072884	2	WASHER, Axle- TT K46 Hydro	
15	7031036	2	THRUST WASHER	
16	7072385	2	SPACER, Axle- K46	
17	7073757	1	SNAP RING, Special (Kanzaki # 192154-89090) 1	
18	7073753	1	FAN (Vendor # 1A640-83050)	
19	7073800	1	PULLEY, 4" Diameter (Vendor # 1A6460-25333)	
20	7073754	1	WASHER, Wave (Vendor # 1A6460-83060)	
21	7073747	1	SPACER (Vendor # 1A6460-25300)	
22	7073834	1	BELT, Traction Drive (HA Section, 96.60" effective length)	
23	7072386	2	KEY, 3/16" Square x 2-3/16" long	
24	7090391	1	WASHER, 5/16" Internal Tooth Lock	

### Footnotes:

# HYDRO RESERVOIR ASSEMBLY



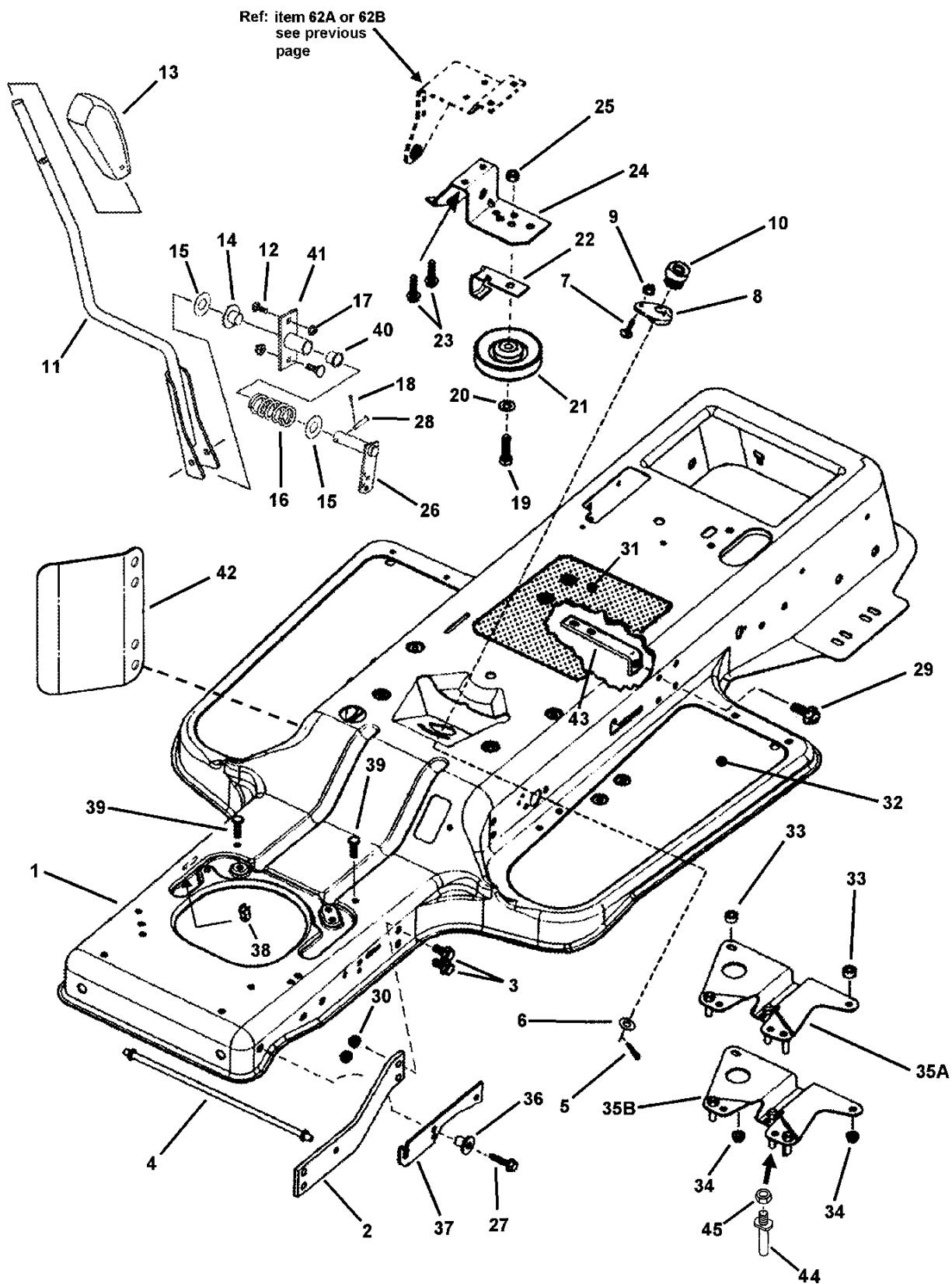
## **HYDRO RESERVOIR ASSEMBLY**

---

<b>Item</b>	<b>Part No</b>	<b>Qty</b>	<b>Description</b>	<b>Note</b>
1	7072739	1	BRACKET, Reservoir Mounting	
2	7072736	1	RESERVOIR, Expansion- TTK46 Hydro	
3	7016130	2	CLAMP 13/16"	
4	7072901	1	HOSE, Hydraulic-(4-1/2" long) TTK46 Hydro	
5	7091431	1	VALVE, Vent	
6	7090858	2	SCREW, 5/16-18 x 1/2" Hex Washer Self-Tap	
7	7072914	1	CABLE TIE - 10 x 1/4 x .083 thick	

### **Footnotes:**

# BLADE ENGAGEMENT & TRANSMISSION CONTROLS

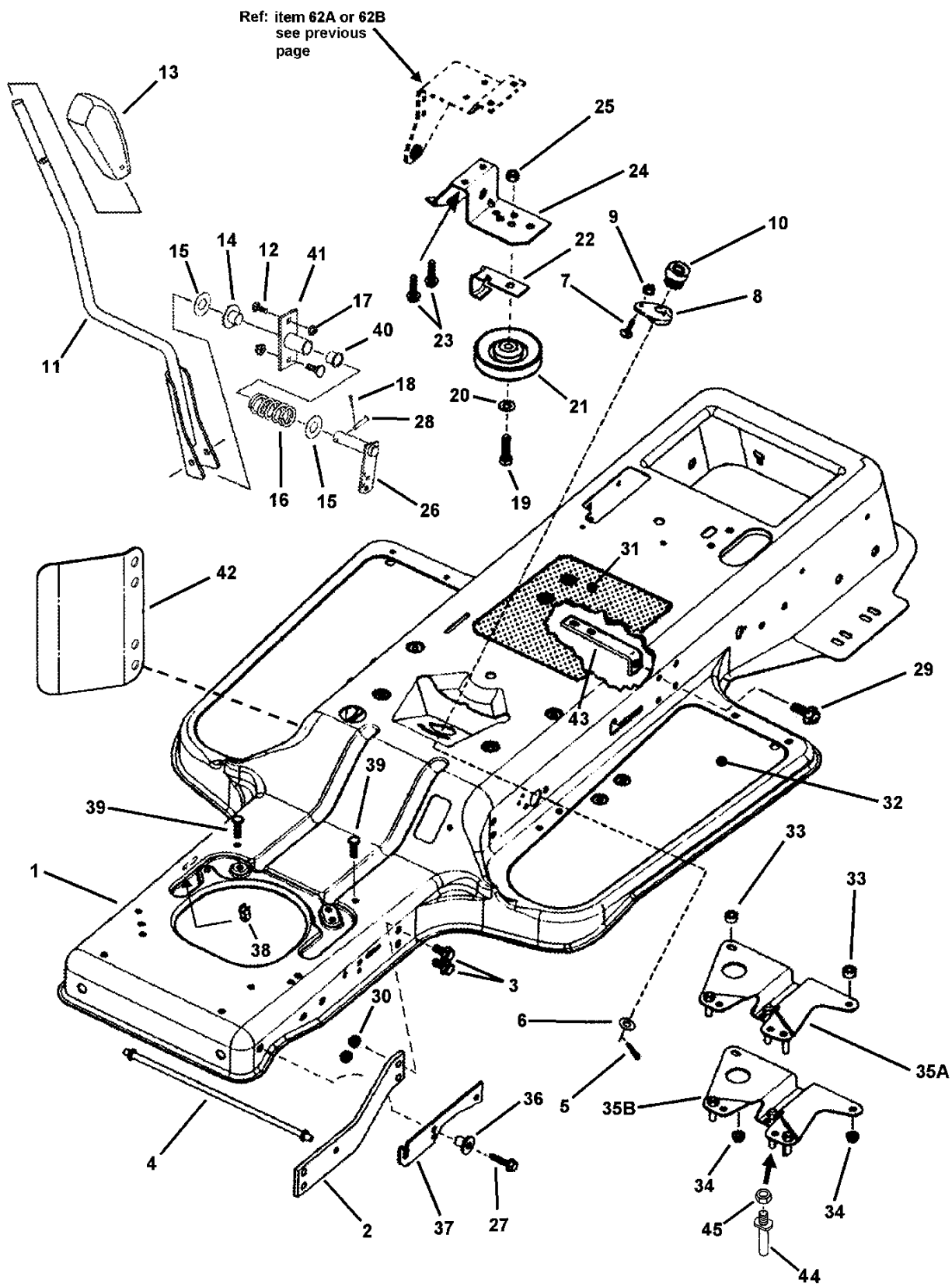


## BLADE ENGAGEMENT & TRANSMISSION CONTROLS

Item	Part No	Qty	Description	Note
1	7073345	1	FRAME, Tractor (1 piece)	
--	7075709	1	FRAME, Tractor (1 piece)	<i>used on Series "I" Models</i>
2	7046899	1	BRACE, Frame	<i>48" Deck only</i>
3	7091588	8	BOLT, 3/8-16 x 3/4" Hex Flange Lock	<i>Was 90612 (48" Deck only)</i>
4	7046900	1	BELT GUIDE	<i>48" Deck only</i>
5	7091598	1	PIN, 1/8 x 3/4" Cotter	
6	7014296	1	SHIM WASHER, .50 x .75 x .03	
7	7091573	1	BOLT, 1/4-20 x 5/8" Short Neck Carriage, GR 5	
8	7052562	1	ASSEMBLY, Steering Adjuster	
9	7091584	1	NUT, 1/4-20 Hex Flange Lock	
10	7022368	1	GEAR, Pinion, Steering	
11	7058874	1	WELDMENT, Shift Handle- TTK46	
12	7091508	2	BOLT, 5/16-18 x 3/4" Short Neck Carriage, GR 5	
13	7023656	1	LEVER Shift Handle	
14	7019245	1	BUSHING, 3/4 - 1.62 Flange	
15	7031036	1	THRUST WASHER	
16	7010754	1	SPRING, Shift Detent	
17	7091601	2	NUT, 5/16-18 Hex Flange Lock, GR 5	
18	7091597	1	PIN, 3/32 x 3/4" Cotter	<i>Was 90037</i>
19	7091497	1	SCREW, 3/8-16 x 1-1/2" Hex Head Cap, GR 5	
20	7090122	1	WASHER, 3/8" Flat	<i>Was 91514</i>
21	7024344	1	PULLEY, Idler V, 3.30 HA	
22	7033556	1	BELT GUIDE, 3-1/2" Dia.	
23	7091524	3	SCREW, 5/16-18 x 1-1/4" Swage	
24	7035524	1	SUPPORT, PTO Lever	
25	7091585	2	NUT, 3/8-16 Hex Center Lock, GR 5 or B	
26	7040598	1	WELDMENT, Arm	
27	7091506	4	SCREW, 5/16-18 x 1-1/2" Hex Washer Self-Tap	
28	7023914	1	PIN, 1/4 x 1-5/8" Clevis	
29	7090361	7	SCREW, 5/16-18 x 5/8" Hex Washer Self-Tap	<i>48" Deck only</i>
30	7091619	8	NUT, 3/8-16 Hex Flange Lock	<i>Was 90613 (48" Deck only)</i>
31	7072755	1	DECAL, Instructions Frame Top Electric Clutch	
32	7073611	2	FOOT PAD, Textured (Black)	<i>replaces 28203</i>
33	7028620	2	SPACER, .340 I.D. x .63 O.D. x .310 thick	
34	7090505	2	NUT, 5/16-18 Hex Flange Lock, GR 5	
35A	7059045	1	WELDMENT, Anti-Spin/Belt Guide-42	<i>used on 42" "H" Series &amp; all "I" Series</i>
35B	7059042	1	WELDMENT, Anti-Spin/Belt Guide	<i>used on 48" Deck, "H" Series</i>

### Footnotes:

# BLADE ENGAGEMENT & TRANSMISSION CONTROLS





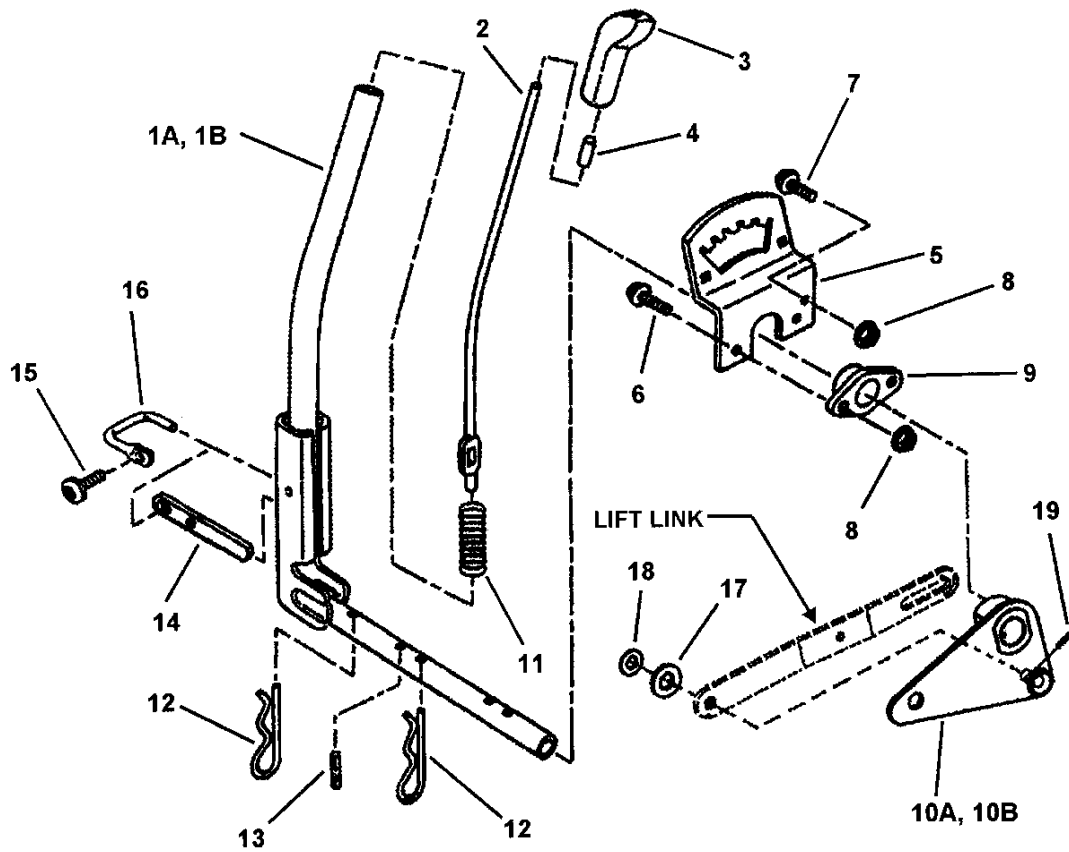
## **BLADE ENGAGEMENT & TRANSMISSION CONTROLS**

---

<b>Item</b>	<b>Part No</b>	<b>Qty</b>	<b>Description</b>	<b>Note</b>
36	7024616	2	BUSHING, Flange	
37	7033488	1	BRACKET, Hood Pivot	
38	7028630	1	WIRE CLIP, .28 x .41	
39	7090209	2	SCREW, 5/16-18 x 1" Hex Head Cap, GR 2	
40	7019246	1	BUSHING, 3/4 - 1" Flange (nylon)	
41	7058876	1	WELDMENT, Pivot Plate	
42	7073835	2	HEAT SHIELD, (Foot Rest)	
43	7033825	1	ANCHOR, Blade Brake	
44	7075130	1	PIN, .31 O.D. x 3/4"	
45	7091575	1	NUT, 5/16-18 Hex Center Lock, GR 5 or B	

### **Footnotes:**

# IMPLEMENT LIFT PARTS

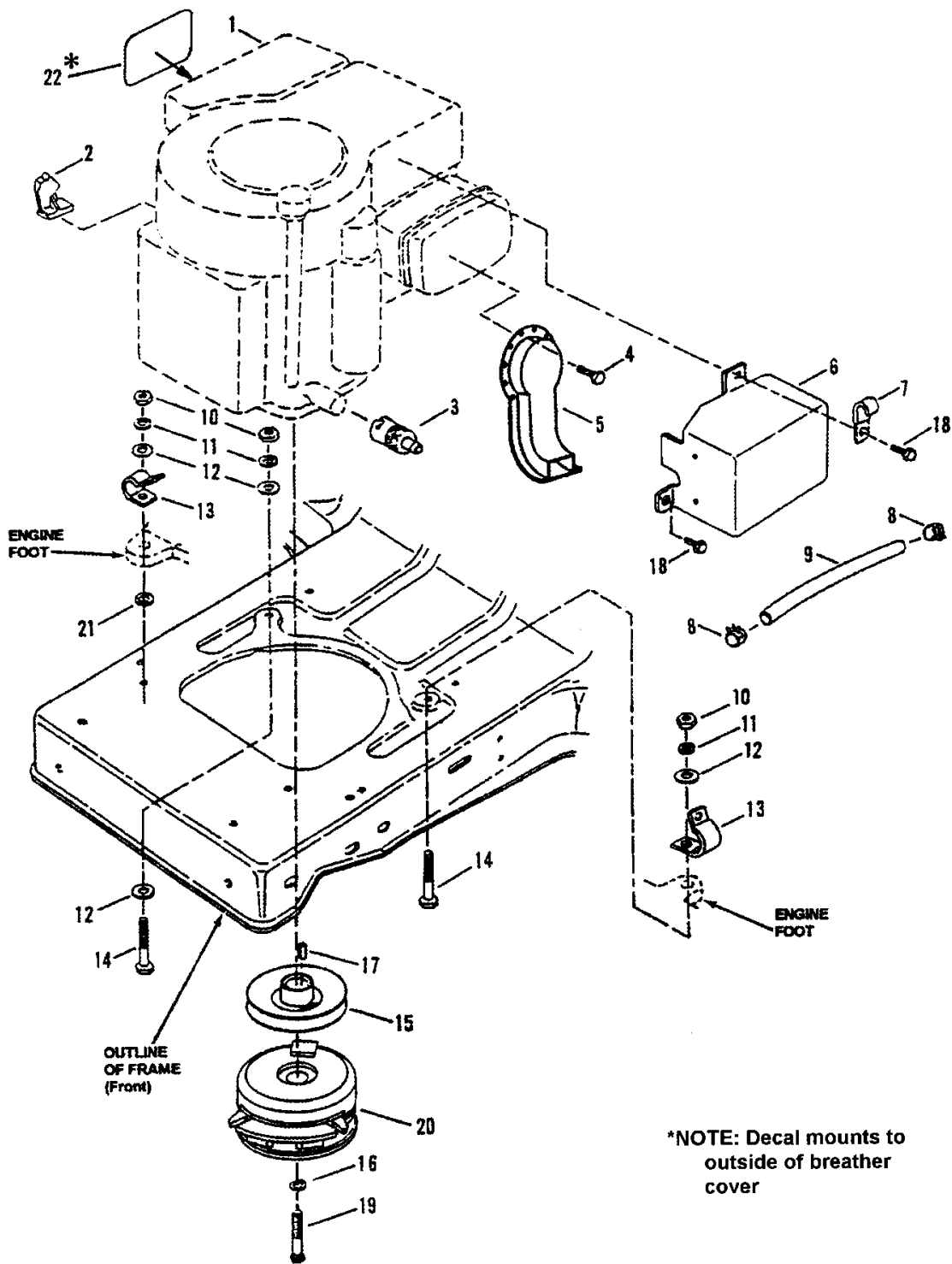


## IMPLEMENT LIFT PARTS

---

Item	Part No	Qty	Description	Note
1A	7041655	1	WELDMENT, Lift Lever-33/42	<i>used on 42" Deck Series "H" &amp; "I" Models</i>
1B	7058258	1	WELDMENT, Lift Lever-48	<i>used on 48" Deck Series "H" &amp; "I" Models (not shown)</i>
2	7022565	1	ROD, Lift Lever	
3	7019363	1	KNOB, Lift Handle	
4	7014361	1	CAP, Lift Rod	
5	7033449	1	QUADRANT, Lift Lever	
6	7091000	2	SCREW, 5/16-18 x 7/8" Truss Head (Torx)	
7	7091001	1	SCREW, 5/16-18 x 5/8" Truss Head (Torx)	
8	7091601	2	NUT, 5/16-18 Hex Flange Lock, GR5	<i>Was 90585</i>
9	7022567	1	PIVOT, Lift Lever	
10A	7041255	1	WELDMENT, Bellcrank, 30/38/42	<i>used on 42" Deck Series "H" &amp; "I" Models</i>
10B	7047137	1	WELDMENT, Bellcrank	<i>used on 48" Deck Series "H" &amp; "I" Models (not shown)</i>
11	7022566	1	SPRING, Latch Detent	
12	7091596	2	COTTER HAIR PIN, 2-5/8"	<i>Was 13844</i>
13	7022895	1	PIN, Dowel, .25 x 1.12	
14	7022568	1	DETENT, Lift Lever	
15	7090999	1	SCREW, 1/4-20 x 5/8 Pan Head Self-Tap (Torx)	
16	7024742	1	PIVOT, Latch Detent	
17	7091587	1	WASHER, .531 x 1.062 x .121 Flat SAE	
18	7090122	1	WASHER, 3/8" Flat SAE	
19	7091597	1	PIN, 3/32 x 3/4" Cotter	

### Footnotes:

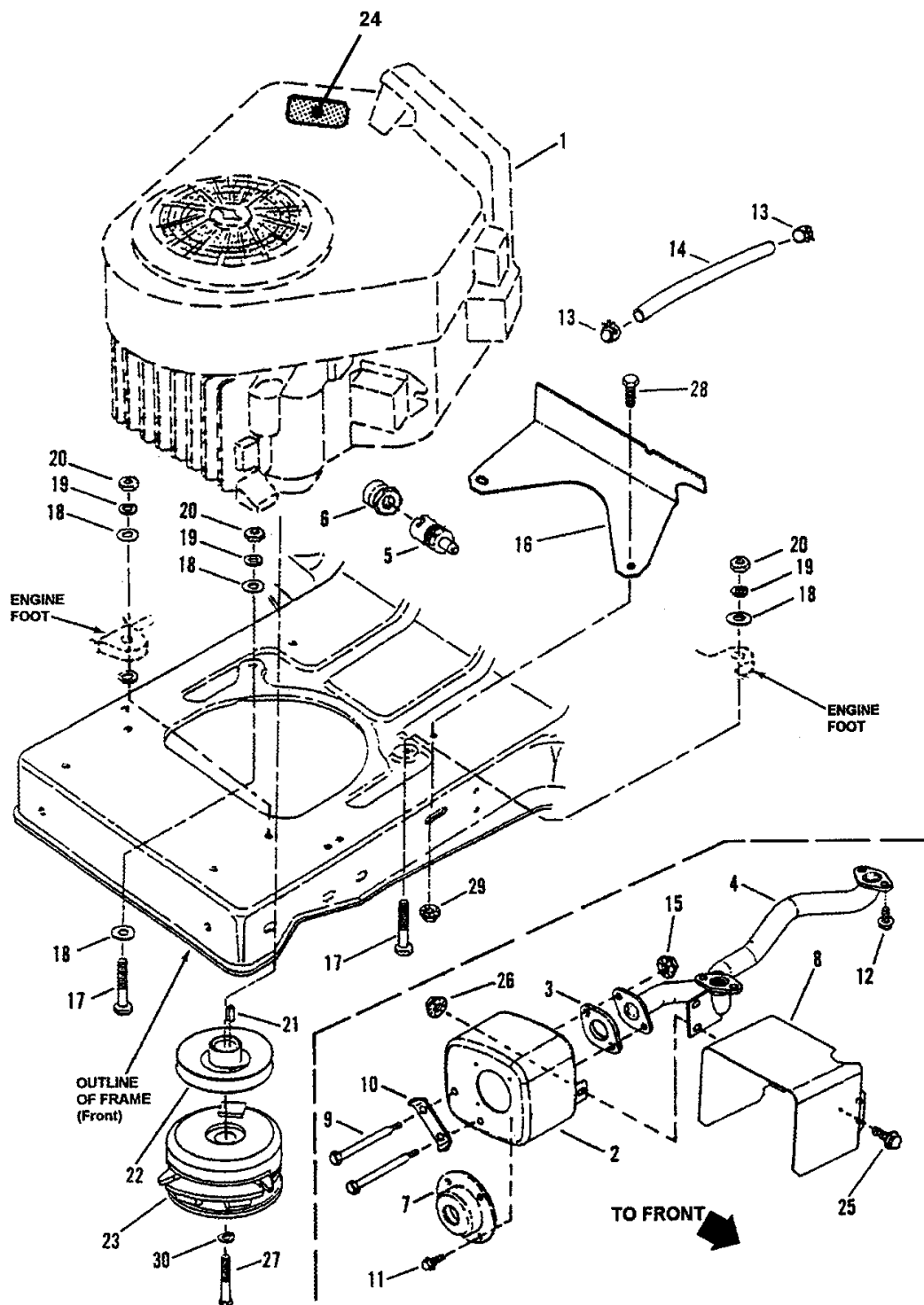


**\*NOTE: Decal mounts to outside of breather cover**

## ENGINE COMPONENTS, PT.1 (Model LT160H42HBV)

Item	Part No	Qty	Description	Note
1	--	1	ENGINE, B&S 16 HP OHV, Mod 28Q777, Type 0679, Trim E1	
2	7025079	1	CLIP, Speed (250 RPM Briggs)	
3	7027972	1	ASSEMBLY, Oil Valve	
4	7091581	3	SCREW, #8-18 x 1/2" Hex Head Sheet Metal	
5	7041537	1	WELDMENT, Muffler Deflrctor	
6	7041269	1	HEAT SHIELD, Muffler (weldment)	
7	7026482	1	CLIP, "J" Open Type .4 Bundle Dia., .281 Dia. Hole	
8	7029900	2	CLAMP, .490 x .31	
9	7029982	1	FUEL LINE, 14" long	<i>used on Series "H" Models</i>
--	7032956	1	FUEL LINE, 10" long	<i>used on Series "I" Models</i>
10	7091511	4	NUT, 5/16-18 Hex, GR5 or B	
11	7091315	4	WASHER, 5/16" Split Lock	
12	7090188	5	WASHER, 5/16" Flat	<i>Was 91296</i>
13	7015861	2	HARNESS CLIP, Cushioned	
14	7090669	2	SCREW, 5/16-18 x 1-3/4" Hex Head Cap, GR5	
15	7073799	1	PULLEY, Traction Drive	
16	7091301	1	WASHER, 7/16" Split Lock	
17	7016755	1	KEY, 1/4 Square x 3/4"	
18	7091579	2	SCREW, 1/4-20 x 1/2" Hex Flange Lock	
19	7091703	1	SCREW, 7/16-20 x 2-1/2" (Special), GR5	
20	7053740	1	CLUTCH/BRAKE	
21	7090391	1	WASHER, 5/16" Internal Tooth Lock	
22	7073231	1	DECAL, Warning-Speed Setting 14, 16, & 18 HP ENGINES	

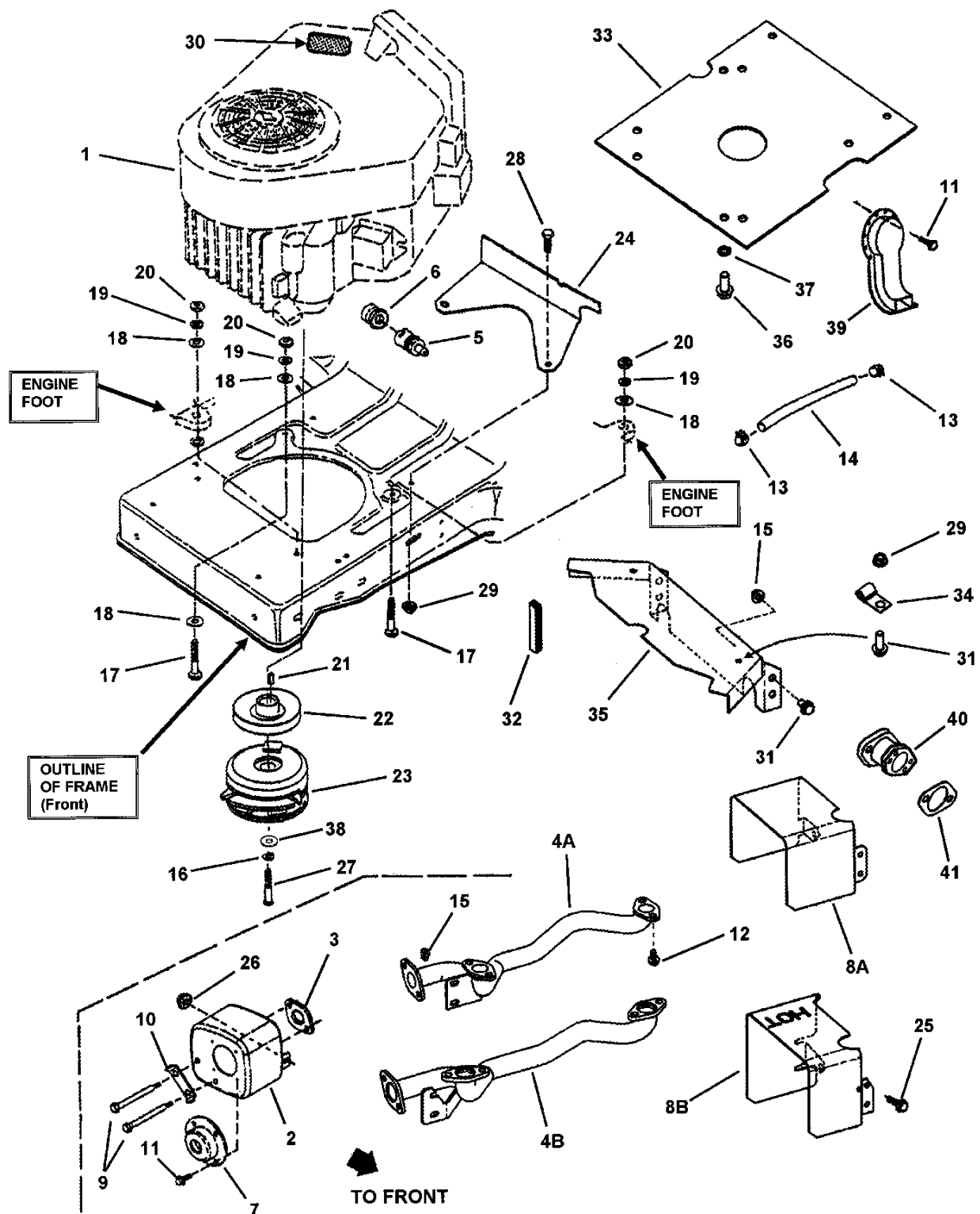
### Footnotes:



## ENGINE COMPONENTS, PT.2 (Model LT160H42HBV2)

Item	Part No	Qty	Description	Note
1	--	1	ENGINE, B&S 16 HP V-Twin, Mod 303777, Type 1163, Trim E1	
2	7024241	1	MUFFLER, 16HP B&S	
3	7014509	1	GASKET, Exhaust	
4	7041742	1	MANIFOLD, Exhaust	
5	7027972	1	ASSEMBLY, Oil Valve	
6	7022486	1	EXTENSION, Oil Drain	
7	7026778	1	DEFLECTOR, Exhaust (Direct Out)	
8	7034767	1	SHIELD, Muffler Heat	
9	7024161	2	SHOULDER BOLT, 5/16-18 thread x 4"	
10	7024566	1	SCREW LOCK	
11	7091581	4	SCREW, #8-18 x 1/2" Hex Head Sheet Metal	
12	7090858	4	SCREW, 5/16-18 x 1/2" Hex Washer Self-Tap	
13	7029900	2	CLAMP, .490 x .31	
14	7029982	1	FUEL LINE, 14" long	
15	7091601	1	NUT, 5/16-18 Hex Flange Lock, GR5	
16	7034767	1	SHIELD, Heat	
17	7090669	2	SCREW, 5/16-18 x 1-3/4" Hex Head Cap, GR5	
18	7090188	4	WASHER, 5/16" Flat	Was 91296
19	7091315	2	WASHER, 5/16" Split Lock	
20	7091511	2	NUT, 5/16-18 Hex, GR5 or B	
21	7016755	1	KEY, 1/4 Square x 3/4"	
22	7073799	1	PULLEY, Traction Drive	
23	7053740	1	CLUTCH/BRAKE	
24	7073231	1	DECAL, Warning-Speed Setting 14, 16, & 18 HP ENGINES	
25	7090072	2	SCREW, 1/4-20 x 5/8" Hex Head Cap, GR5	Was 27172
26	7091584	2	NUT, 1/4-20 Hex Flange Lock	
27	7091703	1	SCREW, 7/16-20 x 2-1/2" (Special), GR5	
28	7090209	2	SCREW, 5/16-18 x 1" Hex Head Cap, GR2	
29	7091601	2	NUT, 5/16-18 Hex Flange Lock, GR5	Was 90585
30	7091301	1	WASHER, 7/16" Split Lock	

### Footnotes:



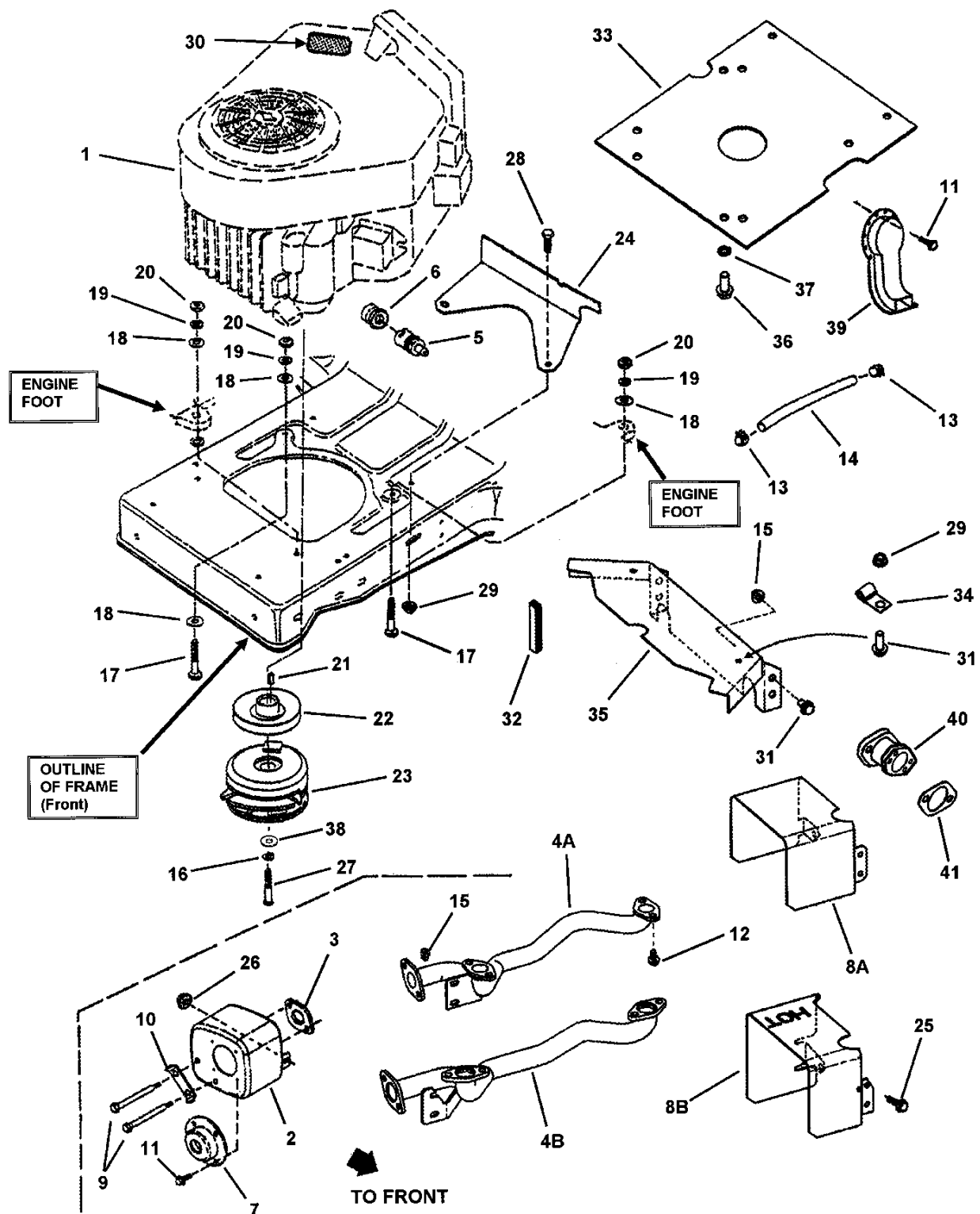


## ENGINE COMPONENTS, PT.3 (Model LT18H Models)

Item	Part No	Qty	Description	Note
1	--	1	ENGINE, B&S 20 HP V-Twin Mod 350777, Type 1143, Trim E1	<i>covered on this page: LT180H42IBV, IBV2, WLT180H42IBV2 &amp; LT180H48HBV2</i>
--	--	1	ENGINE, B&S 18 HP V-Twin Mod 40F777, Type 0111,1 Trim E1	
--	--	1	ENGINE, B&S 18 HP Intek Mod 31H777, Type 0117, Trim E1	
2	7024241	1	MUFFLER, 16HP B&S (shown)	
--	7074826	1	MUFFLER, 14.5HP Briggs Engine	<i>for B&amp;S 14-1/2 &amp; 15HP engines only; similar to 24241 but with long standoff bkt.</i>
3	7014509	1	GASKET, Muffler/Exhaust (1.18" I.D.; 1.88" hole centers)	<i>used on Series "H" Models</i>
--	7063283	1	GASKET, Muffler/Exhaust, 20 HP Intec (1.00" I.D.; 1.968" hole centers)	<i>used on Series "I" Models</i>
4A	7041742	1	MANIFOLD, Exhaust	<i>used on Series "H" Models</i>
4B	7042558	1	WELDMENT, Manifold 16HP	<i>used on Series "I" Models</i>
5	7027972	1	ASSEMBLY, Oil Valve	
6	7022486	1	EXTENSION, Oil Drain	
7	7026778	1	DEFLECTOR, Exhaust (Direct Out)	
8A	7034767	1	SHIELD, Muffler/Heat	<i>used on Series "H" Models</i>
8B	7075088	1	SHIELD, Muffler/Heat	<i>used on Series "I" Models</i>
9	7024161	2	SHOULDER BOLT, 5/16-18 thread x 4"	
10	7024566	1	SCREW LOCK	
11	7091581	4	SCREW, #8-18 x 1/2" Hex Head Sheet Metal	
12	7090858	4	SCREW, 5/16-18 x 1/2" Hex Washer Self-Tap	
13	7029900	2	CLAMP, .490 x .31	
14	7029982	1	FUEL LINE, 14" long	<i>used on Series "H" Models</i>
--	7032956	1	FUEL LINE, 10" long	<i>used on Series "I" Models</i>
--	7035853	1	FUEL LINE, 3-3/4" long	<i>used on Series "I" Models</i>
15	7091601	5	NUT, 5/16-18 Hex Flange Lock, GR 5	
16	7091301	1	WASHER, 7/16" Split Lock	
17	7090669	2	SCREW, 5/16-18 x 1-3/4" Hex Head Cap, GR 5	
18	7090188	4	WASHER, 5/16" Flat	<i>Was 91296</i>
19	7091315	2	WASHER, 5/16" Split Lock	
20	7091511	2	NUT, 5/16-18 Hex, GR 5 or B	
21	7016755	1	KEY, 1/4" Square x 3/4" long	<i>used on Series "H" Models</i>
--	7091033	1	KEY, 1/4" Square x 1-3/4"	<i>used on Series "I" Models</i>
22	7073799	1	PULLEY, Traction Drive	<i>used on Series "H" Models</i>
--	7075034	1	PULLEY, Traction Drive 42&48 TT K46	<i>used on Series "I" Models</i>
23	7053740	1	CLUTCH/BRAKE	<i>used on Series "H" Models</i>
--	7075085	1	ELECTRIC CLUTCH, Ogura MA-GT-DX11CU	<i>used on Series "I" Models</i>
24	7034762	1	SHIELD, Muffler/Heat, B&S 16HP	
25	7090072	2	SCREW, 1/4-20 x 5/8" Hex Head Cap, GR 5	<i>Was 27172</i>
26	7091584	2	NUT, 1/4-20 Hex Flange Lock	

### Footnotes:

Purchase engine & engine parts other than those listed, from engine service outlets.



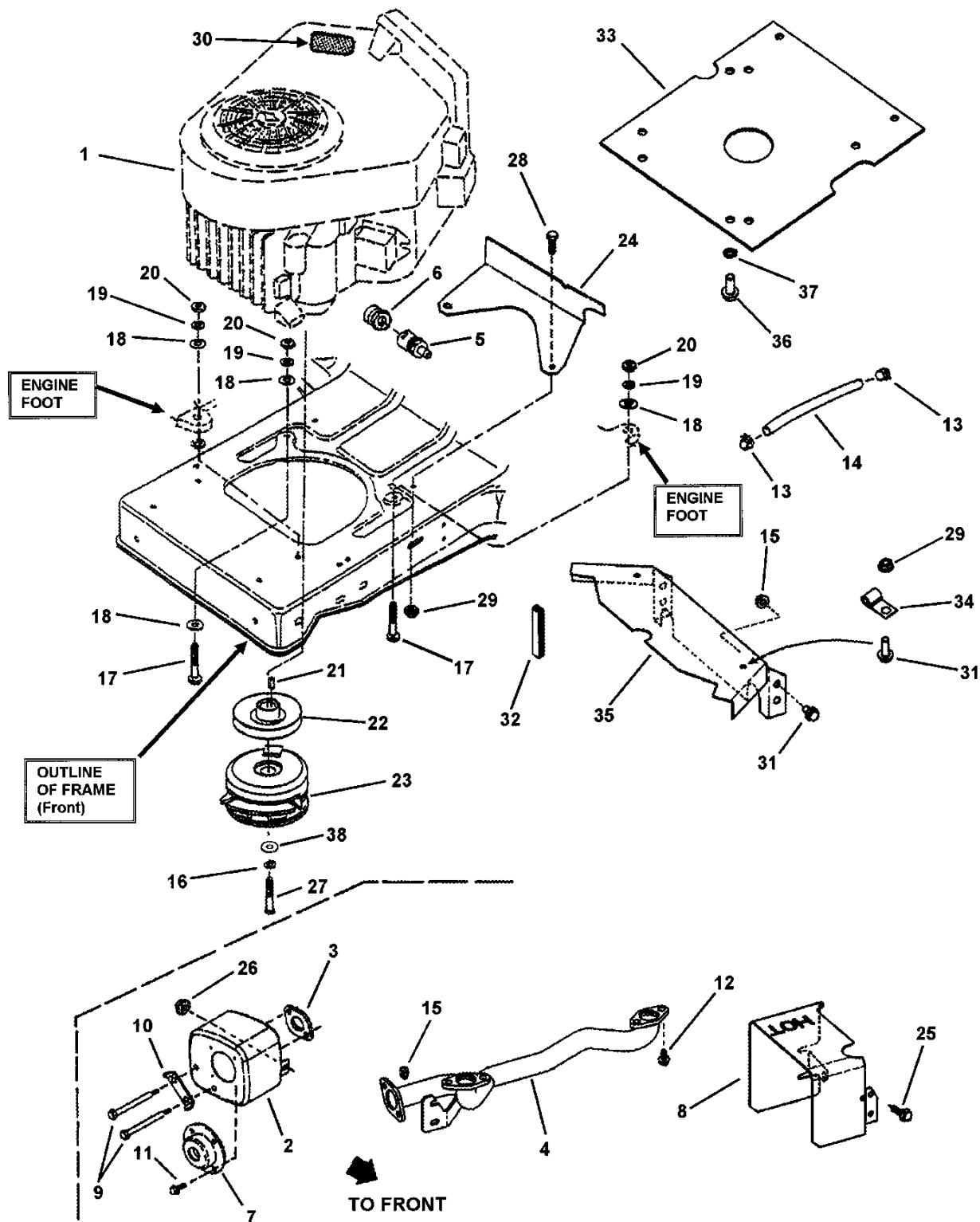
## ENGINE COMPONENTS, PT.3 (Model LT18H Models)

---

Item	Part No	Qty	Description	Note
27	7091703	1	SCREW, 7/16-20 x 2-1/2" (Special), GR 5	
28	7090209	2	SCREW, 5/16-18 x 1" Hex Head Cap, GR 2	
29	7091601	2	NUT, 5/16-18 Hex Flange Lock, GR 5	Was 90585
30	7073231	1	DECAL, Warning-Speed Setting 14, 16, & 18 HP ENGINES	
31	7091811	4	BOLT, 5/16-18 x 5/8" Hex Flange Lock	
32	7026746	1	TRIM, Heat Shield (2" long)	
--	7075171	1	TRIM-Heat Shield (3" long)	
33	7075070	1	PLATE, Engine- Briggs Engine	
34	7026482	1	CLIP, "J" Open Type .4 Bundle Dia., .281 Dia. Hole	
35	7075120	1	HEAT SHIELD, B&S V-Twin Engine	
36	7090324	2	SCREW, 3/8-16 x 1" Hex Washer Self-Tap	
37	7091315	2	WASHER, 5/16" Split Lock	
38	7029138	1	WASHER, 7/16 I.D. x 1-1/2" O.D. x .188 thick	
39	7041537	1	WELDMENT, Muffler Deflector	
40	7071756	1	ADAPTER, Muffler	
41	7015352	1	GASKET, Exhaust (1.25" I.D.; 1.875" hole centers)	

### Footnotes:

Purchase engine & engine parts other than those listed, from engine service outlets.

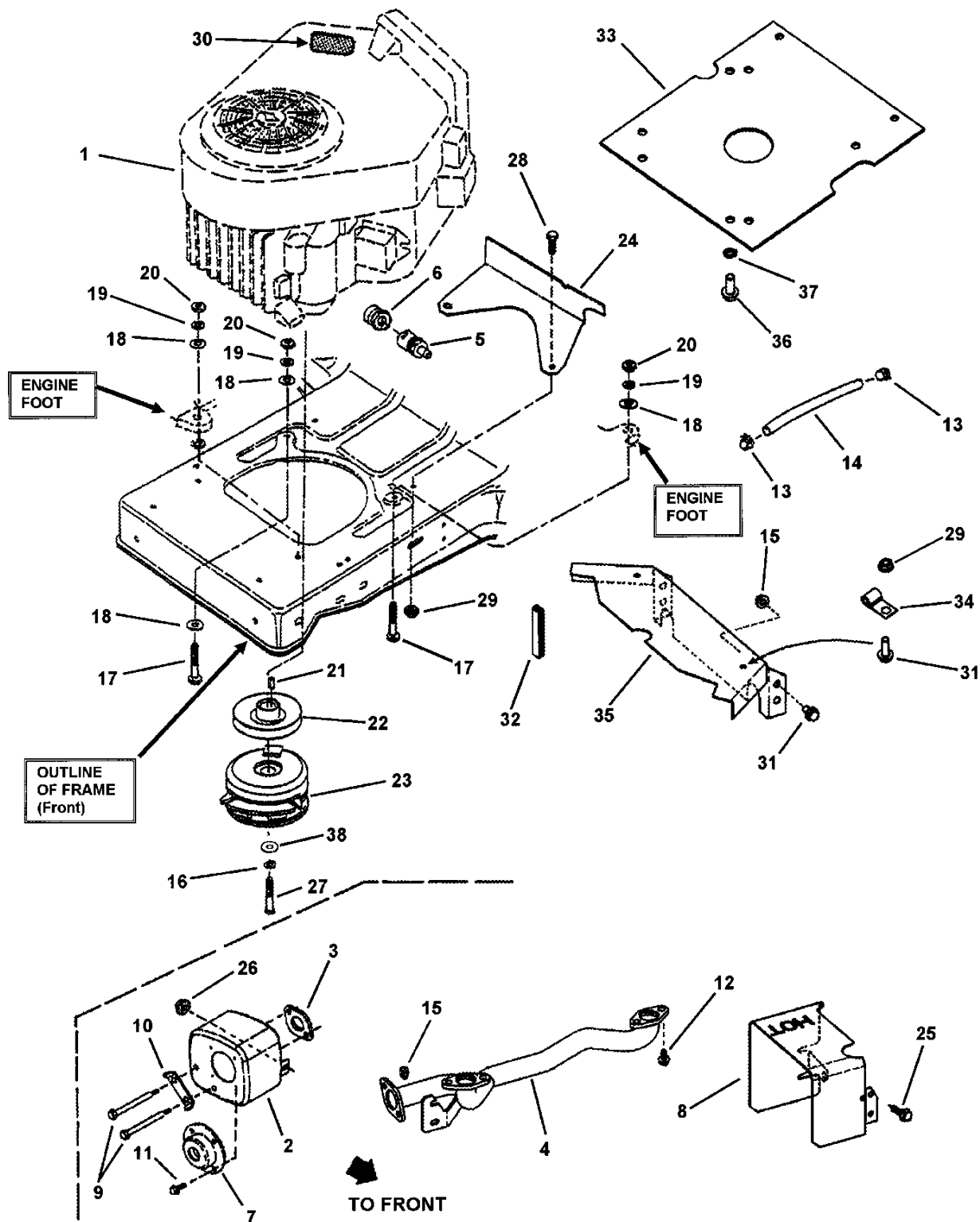


## ENGINE COMPONENTS, PT.4 (Model LT200H Models)

Item	Part No	Qty	Description	Note
1	--	1	ENGINE, B&S 20 HP Intec, Mod 40G777, Type 0112, Trim E1	<i>used on LT200H42IBV2, LT200H48IBV2 &amp; WLT200H48IBV2 Models</i>
2	7024241	1	MUFFLER, 16HP B&S	
3	7014509	1	GASKET, Muffler/Exhaust	<i>(1.18" I.D.; 1.88" hole centers)</i>
--	7063283	1	GASKET, Muffler/Exhaust, 20 HP Intec	<i>(1.00" I.D.; 1.968" hole centers)</i>
4	7042558	1	WELDMENT, Manifold 16HP	
5	7027972	1	ASSEMBLY, Oil Valve	
6	7022486	1	EXTENSION, Oil Drain	
7	7026778	1	DEFLECTOR, Exhaust (Direct Out)	
8	7075088	1	SHIELD, Muffler/Heat	
9	7024161	2	SHOULDER BOLT, 5/16-18 thread x 4"	
10	7024566	1	SCREW LOCK	
11	7091581	4	SCREW, #8-18 x 1/2" Hex Head Sheet Metal	
12	7090858	4	SCREW, 5/16-18 x 1/2" Hex Washer Self-Tap	
13	7029900	2	CLAMP, .490 x .31	
14	7032956	1	FUEL LINE, 10" long	
--	7035853	1	FUEL LINE, 3-3/4" long	
15	7091601	5	NUT, 5/16-18 Hex Flange Lock, GR 5	
16	7091301	1	WASHER, 7/16" Split Lock	
17	7090669	2	SCREW, 5/16-18 x 1-3/4" Hex Head Cap, GR 5	<i>or 91264</i>
18	7090188	4	WASHER, 5/16" Flat	<i>Was 91296</i>
19	7091315	2	WASHER, 5/16" Split Lock	
20	7091511	2	NUT, 5/16-18 Hex, GR 5 or B	
21	7091033	1	KEY, 1/4 Square x 1-3/4"	
22	7075034	1	PULLEY, Traction Drive 42&48 TT K46	
23	7075085	1	ELECTRIC CLUTCH, Ogura MA-GT-DX11CU	
24	7034762	1	SHIELD, Muffler/Heat, B&S 16HP	
25	7090072	2	SCREW, 1/4-20 x 5/8" Hex Head Cap, GR 5	<i>Was 27172</i>
26	7091584	2	NUT, 1/4-20 Hex Flange Lock	
27	7091703	1	SCREW, 7/16-20 x 2-1/2" (Special), GR 5	
28	7090209	2	SCREW, 5/16-18 x 1" Hex Head Cap, GR 2	
29	7091601	2	NUT, 5/16-18 Hex Flange Lock, GR 5	<i>Was 90585</i>
30	7073231	1	DECAL, Warning-Speed Setting 14, 16, & 18 HP ENGINES	
31	7091811	4	BOLT, 5/16-18 x 5/8" Hex Flange Lock	
32	7026746	1	TRIM, Heat Shield (2" long)	
--	7075171	1	TRIM-Heat Shield (3" long)	
33	7075070	1	PLATE, Engine- Briggs Engine	
34	7026482	1	CLIP, "J" Open Type .4 Bundle Dia., .281 Dia. Hole	

### Footnotes:

Purchase engine & engine parts other than those listed, from engine service outlets.



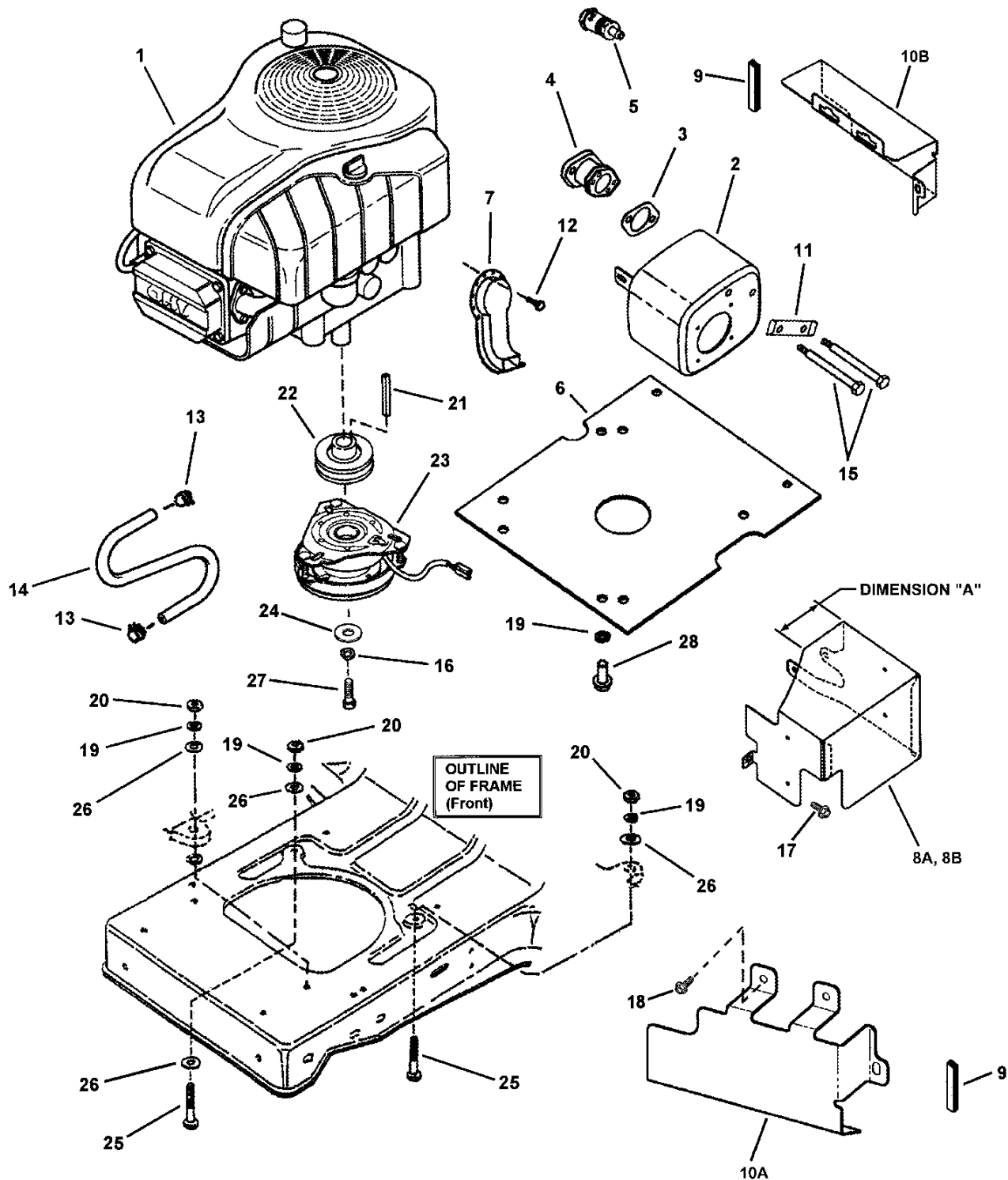
## **ENGINE COMPONENTS, PT.4 (Model LT200H Models)**

---

<b>Item</b>	<b>Part No</b>	<b>Qty</b>	<b>Description</b>	<b>Note</b>
35	7075120	1	HEAT SHIELD, B&S V-Twin Engine	
36	7090324	2	SCREW, 3/8-16 x 1" Hex Washer Self-Tap	
37	7091315	2	WASHER, 5/16" Split Lock	
38	7029138	1	WASHER, 7/16" I.D. x 1-1/2" O.D. x .188 thick	

### **Footnotes:**

Purchase engine & engine parts other than those listed, from engine service outlets.





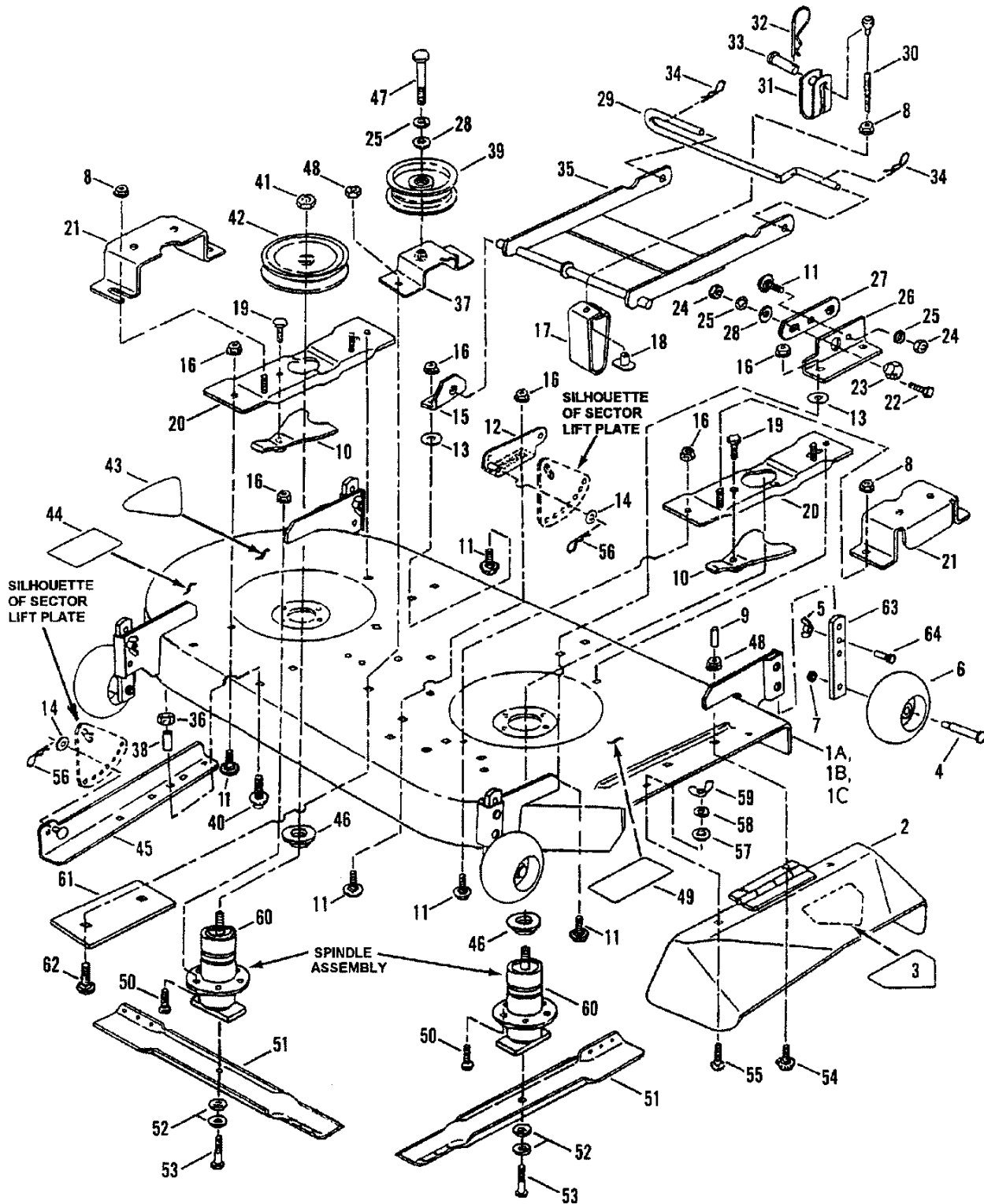
## ENGINE COMPONENTS, PT.5 (Model LT160H42IBV)

Item	Part No	Qty	Description	Note
1	--	1	ENGINE, B&S 17 HP Intek	Mod 31F777, Type 0111, Trim E1
2	7074826	1	MUFFLER, 14.5HP Briggs Engine	
3	7015352	1	GASKET, Exhaust (1.25" I.D.; 1.875" hole centers)	
4	7071756	1	ADAPTER, Muffler	
5	7027972	1	ASSEMBLY, Oil Valve	
6	7075070	1	PLATE, Engine- Briggs Engine	
7	7041537	1	WELDMENT, Muffler Defrctor	
8A	7044824	1	WELDMENT, Heat Shield-Muffler- 17HP Intek B&S	Dim. "A" 1.38"
8B	7041340	1	HEAT SHIELD, Muffler- 15HP B&S	Dim. "A" 2.63" (used on LT180H42IBV) replaces 44824
9	7075171	1	TRIM-Heat Shield (3" long)	
10A	7075431	1	HEAT SHIELD, Manifold 17HP B&S	
10B	7075065	1	HEAT SHIELD, Manifold 15HP B&S	(used on LT180H42IBV) replaces 75431
11	7024566	1	SCREW LOCK	
12	7091581	4	SCREW, #8-18 x 1/2" Hex Head Sheet Metal	
13	7029900	2	CLAMP, .490 x .31	
14	7075472	1	FUEL LINE, 29" long	
15	7024161	2	SHOULDER BOLT, 5/16-18 thread x 4"	
16	7091301	1	WASHER, 7/16" Split Lock	
17	7091122	3	SCREW, 1/4-20 x 1/2" Hex Washer Self-Tap	Was 90539
18	7091579	1	SCREW, 1/4-20 x 1/2" Hex Flange Lock	
19	7091315	2	WASHER, 5/16" Split Lock	
20	7091511	2	NUT, 5/16-18 Hex, GR 5 or B	
21	7091033	1	KEY, 1/4 Square x 1-3/4"	
22	7075034	1	PULLEY, Traction Drive 42&48 TT K46	
23	7075085	1	ELECTRIC CLUTCH, Ogura MA-GT-DX11CU (Series "I")	
24	7029138	1	WASHER, 7/16 I.D. x 1-1/2" O.D. x .188 thick	
25	7091264	2	BOLT, 5/16-18 x 1-3/4" Hex Flange Lock, GR 5	
26	7090188	4	WASHER, 5/16" Flat	Was 91296
27	7091703	1	SCREW, 7/16-20 x 2-1/2" (Special), GR 5	
28	7090324	2	SCREW, 3/8-16 x 1" Hex Washer Self-Tap	

### Footnotes:

Purchase engine & engine parts other than those listed, from engine service outlets.

# 42" CUTTING DECK ASSEMBLY

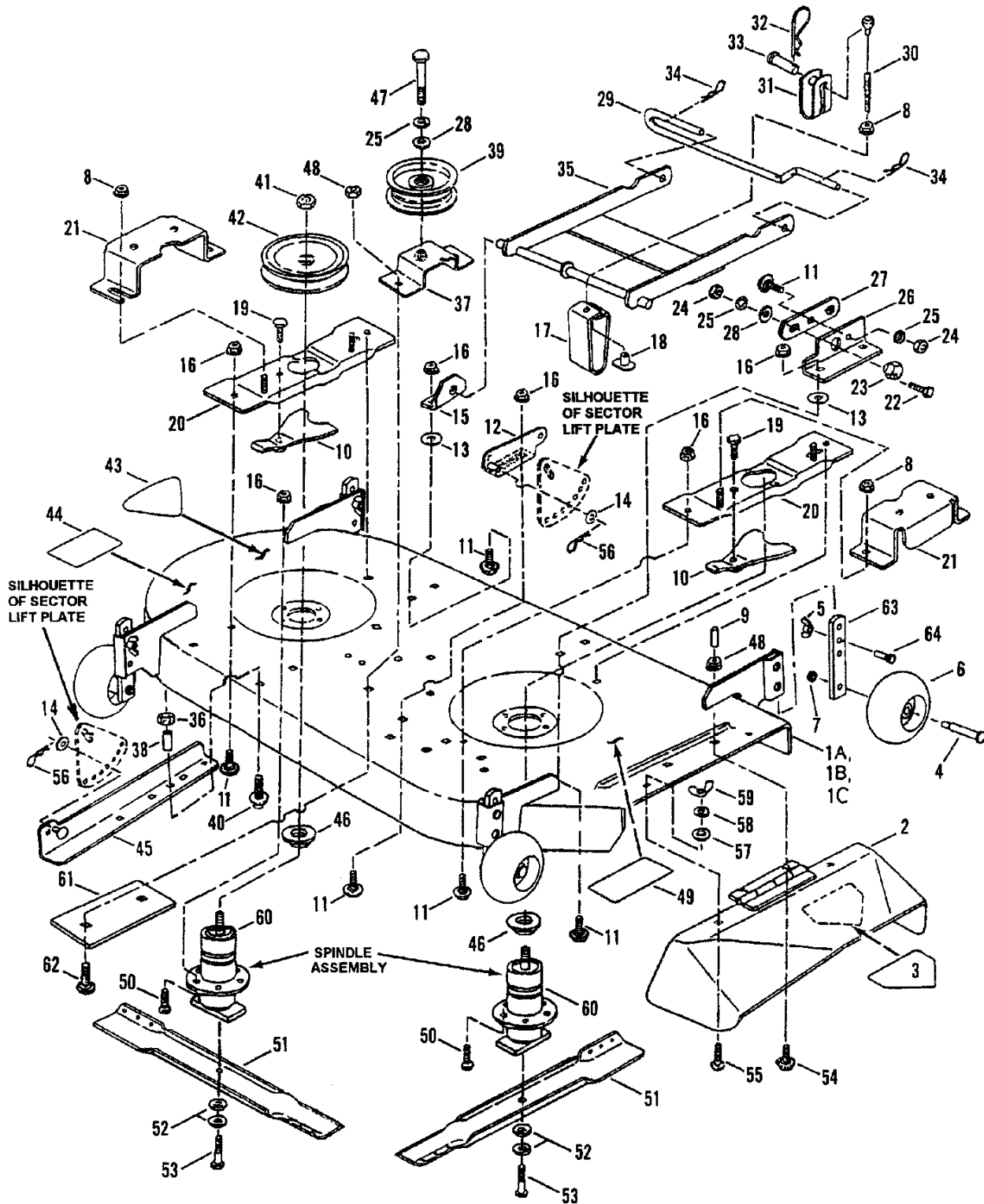


## 42" CUTTING DECK ASSEMBLY

Item	Part No	Qty	Description	Note
1A	7054168	1	ASSEMBLY, 42" Cutting Deck (Includes Decal items 44 & 49)	<i>used on LT160H42HBV Model</i>
1B	7054170	1	ASSEMBLY, 42" Cutting Deck (Includes Decal items 44 & 49)	<i>used on LT160H42HBV2 Model</i>
1C	7058129	1	ASSEMBLY, 42" Cutting Deck (Includes Decal item 3 & 46720)	<i>used on 42" Series "I" Models</i>
2	7051401	1	DEFLECTOR, Side Discharge (Includes item 3)	
3	7013010	1	DECAL, Danger, Cut Finger	
4	7029265	4	SHOULDER BOLT, 3/8-16 thread	
5	7091049	4	WING-NUT, 3/8-16	
6	7029264	4	WHEEL, Gage	
7	7091585	4	NUT, 3/8-16 Hex Center Lock, GR5 or B	
8	7091601	10	NUT, 5/16-18 Hex Flange Lock, GR5	<i>Was 90585</i>
9	7023606	2	VINYL CAP	
10	7051747	2	ASSEMBLY, Spindle Lock	
11	7091547	12	BOLT, 3/8-16 x 3/4" Short Neck Carriage, GR2	<i>Was 90850</i>
12	7042578	1	WELDMENT, Bracket, Sector Lift - Right Side	
12A	7042609	1	WELDMENT, Bracket, Sector Lift - Right Side	<i>used on LT160H42GBV2 &amp; 42" Series "I"</i>
13	7090517	4	WASHER, 3/8" Flat	<i>Was 90600</i>
14	7090122	2	WASHER, 3/8" SAE Flat	
15	7032297	1	BRACKET, Front Hanger- Left Hand	
16	7091619	15	NUT, 3/8-16 Hex Flange Lock	<i>Was 90613</i>
17	7038043	1	BRACKET, Front Lift Arm Hanger	
18	7091567	1	TEE-NUT, 5/16-18	
19	7027198	2	BOLT, 3/8-16 x 1" Hex Flange Lock, GR5	
20	7052487	2	ASSEMBLY, Spindle Brace	
21	7034409	2	GUARD, Pulley	
22	7091304	1	SCREW, 3/8-16 x 1" Hex Head Cap, GR5	<i>Was 90563</i>
23	7015012	1	ADJUSTMENT RING	
24	7091302	2	NUT, 3/8-16 Hex	<i>Was 90130</i>
25	7090118	3	WASHER, 3/8" Split Lock	
26	7038382	1	BRACKET, Front (Right Side)	
27	7032432	1	ADJUSTMENT & LINK	
28	7090122	2	WASHER, 3/8" SAE Flat	
29	7027471	1	PIN, Deck Hanger Improved	
30	7022893	1	CABLE, Deck Lift 4.75	
31	7032276	1	CLEVIS, Lift Cable	
32	7091503	1	HAIR PIN, 3/32 x 1-1/2"	
33	7029687	1	PIN, 3/8 x 1-1/16" Clevis	
34	7091596	2	HAIRPIN, .148 x 2.62	

### Footnotes:

# 42" CUTTING DECK ASSEMBLY



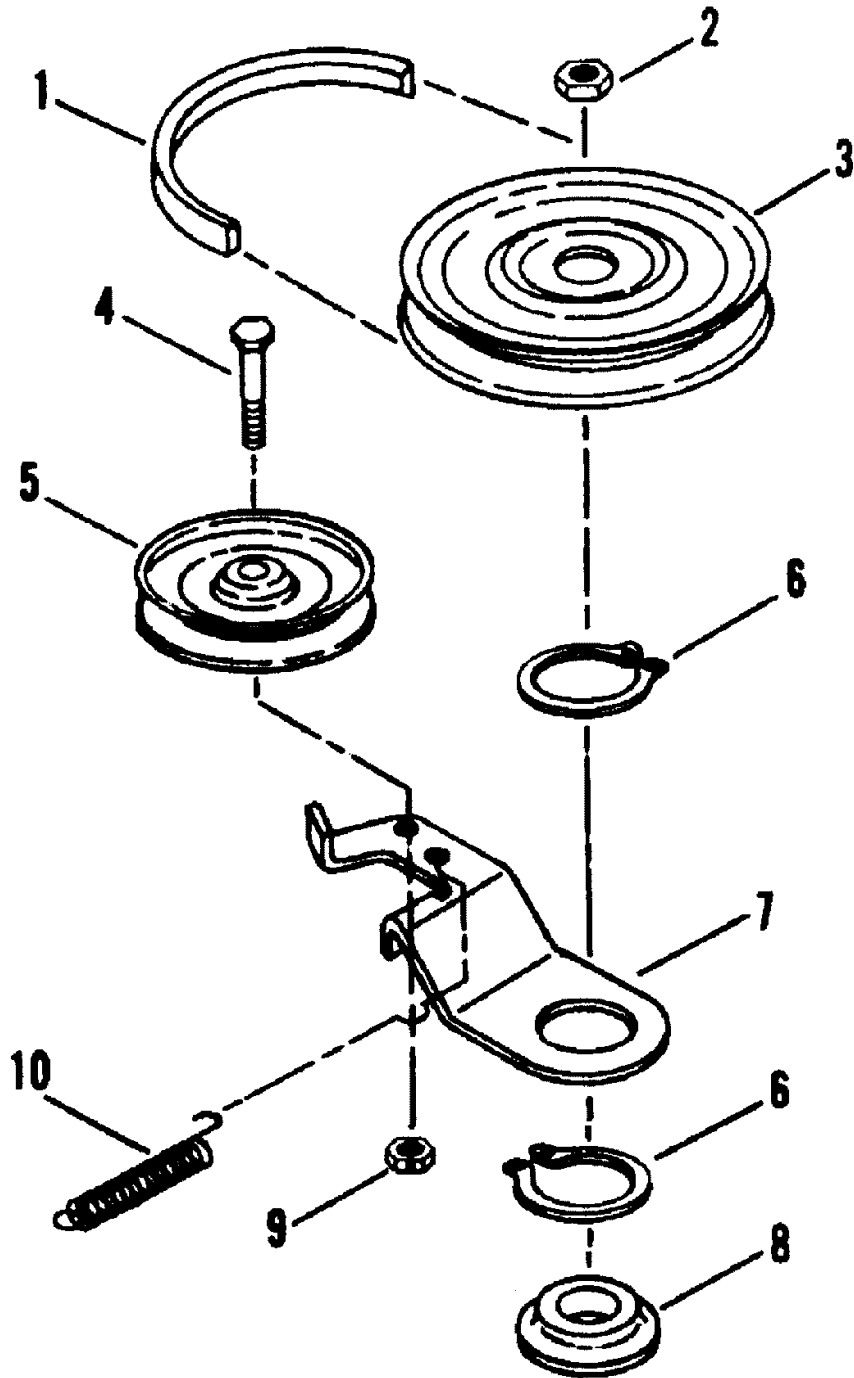
## 42" CUTTING DECK ASSEMBLY

Item	Part No	Qty	Description	Note
35	7042469	1	WELDMENT, Front Lift Arm, 42	<i>replaces 41480</i>
36	7091585	1	NUT, 3/8-16 Hex Center Lock, GR5 or B	
37	7053567	1	ASSEMBLY, Idler Mount Bracket	
38	7028942	1	SLEEVE, .5 O.D. x .404 I.D. x .38	
39	7018574	1	IDLER, 4.12 Flat	
40	7090614	1	BOLT, 3/8-16 x 1-1/2" Hex Flange Lock, GR5	
41	7074467	2	NUT, 3/4-16 Hex Flange Jam, GR8	
42	7024863	2	PULLEY-5.25 O.D.	
43	7024910	1	DECAL - 42 Inch	
44	7014852	1	DECAL, Caution (Rotating Blade)	
45	7042607	1	WELDMENT, Sector Lift, Left Hand- 42"	
45	7042606	1	WELDMENT, Sector Lift, Left Hand- 42"	<i>used on LT160H42HBV2 &amp; 42" Series "I"</i>
46	7014407	2	WASHER, Spindle	
47	7091580	1	BOLT, 3/8-16 x 1-3/4" Hex Flange Lock, GR5	
48	7091601	3	NUT, 5/16-18 Hex Flange Lock, GR5	
49	7014852	1	DECAL, Caution (Deflector in Place)	<i>used on Series "H" Models</i>
49B	7046720	1	DECAL, Chute/Deflector	<i>used on Series "I" Models</i>
50	7091588	12	BOLT, 3/8-16 x 3/4" Hex Flange Lock	<i>Was 90612</i>
51	7026691	2	BLADE, 21" Standard Lift	
52	7012063	4	WASHER, Cone, 13/32 x 1-13/32" Diameter	
53	7090824	2	SCREW, 3/8-24 x 1-1/4" Hex Head Cap, GR5	
54	7091303	2	BOLT, 5/16-18 x 1" Short Neck Carriage, GR5	
55	7090799	2	BOLT, 5/16-18 x 5/8" Short Neck Carriage, GR5	
56	7091503	2	HAIR PIN, 3/32 x 1.5"	
57	7011791	2	RETAINER, 5/16" Bolt	
58	7091315	2	WASHER, 5/16" Split Lock	
59	7091537	2	WING LOCKNUT, 5/16-18	
60	7051914	2	ASSEMBLY, Spindle Housing, 42" Deck	<i>Was 59723</i>
61	7034202	1	PLATE, Support	
62	7027168	2	SCREW, 5/16-18 x 1" Hex Head Cap, GR5	<i>Was 90636</i>
63	7035835	4	POST Anti-Scalp	
64	7091328	4	SCREW, 3/8-16 x 1-1/4" Hex Head Cap, GR5	

### Footnotes:

**BELT, BLADE BRAKE- 42" CUTTING DECK**

---



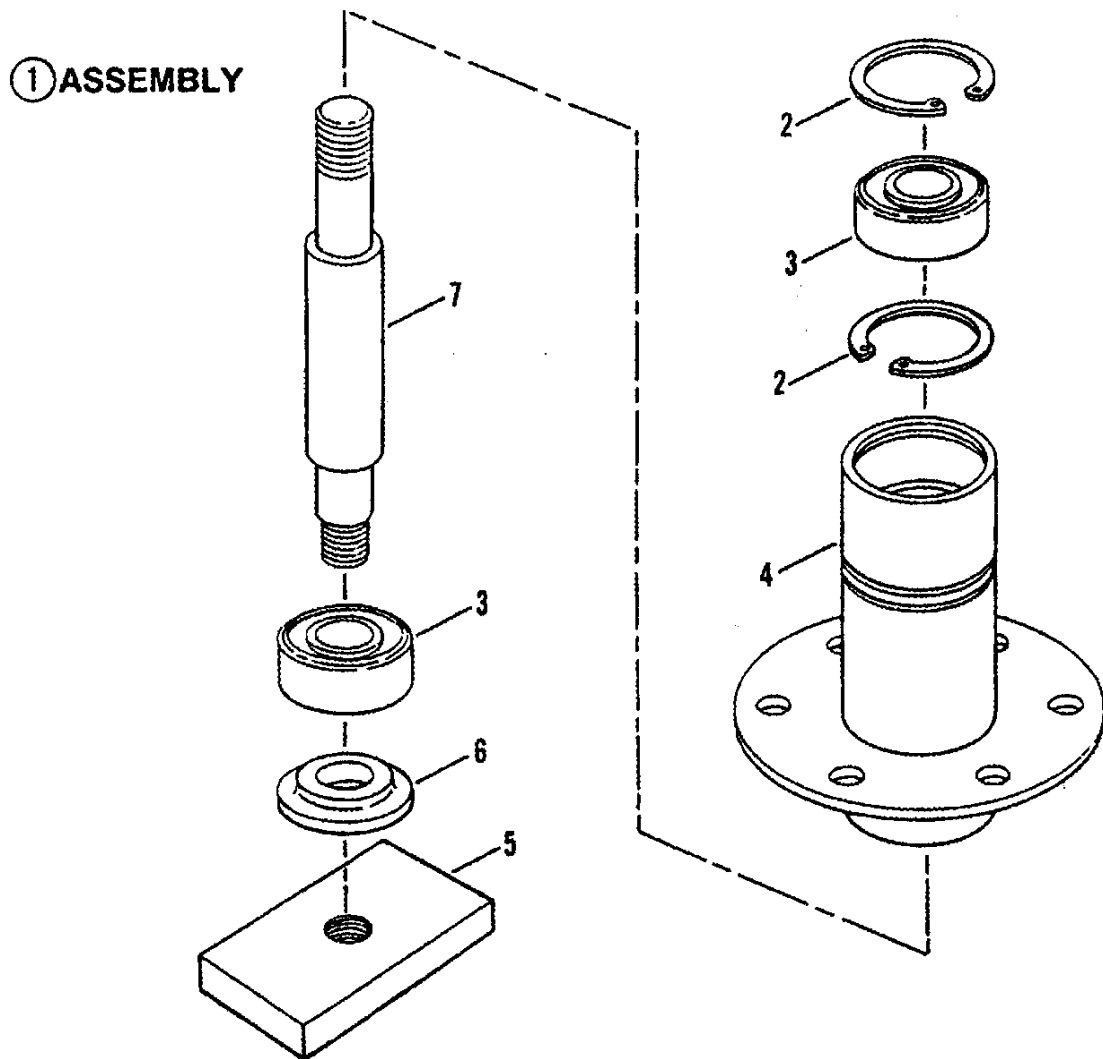
## **BELT, BLADE BRAKE- 42" CUTTING DECK**

---

<b>Item</b>	<b>Part No</b>	<b>Qty</b>	<b>Description</b>	<b>Note</b>
1	7029205	1	BELT, Drive, HA Sect. 100.0" effective length	<i>used on Series "H" Models</i>
--	7072465	1	BELT, Drive, HB Sect. 103.36" effective length (was 72349)	<i>used on Series "I" Models</i>
2	7074467	1	NUT, 3/4-16 Hex Flange Jam, GR8	
3	7024863	1	PULLEY-5.25 O.D.	
4	7091580	1	BOLT, 3/8-16 x 1-3/4" Hex Flange Lock, GR5	
5	7018574	1	IDLER, 4.12 Flat	<i>used on Series "H" Models</i>
--	7075707	1	IDLER- Flat (4.00 O.D.)	<i>used on Series "I" Models; replaces 72613</i>
6	7010740	2	RING, 2" External Retaining	
7	7036222	1	BRAKE ARM	
8	7014407	1	WASHER, Spindle	
9	7091585	1	NUT, 3/8-16 Hex Center Lock, GR5 or B	
10	7028941	1	SPRING, Extension 1.18 O.D. x 6.8	

### **Footnotes:**

# SPINDLE ASSEMBLY- 42" CUTTING DECK





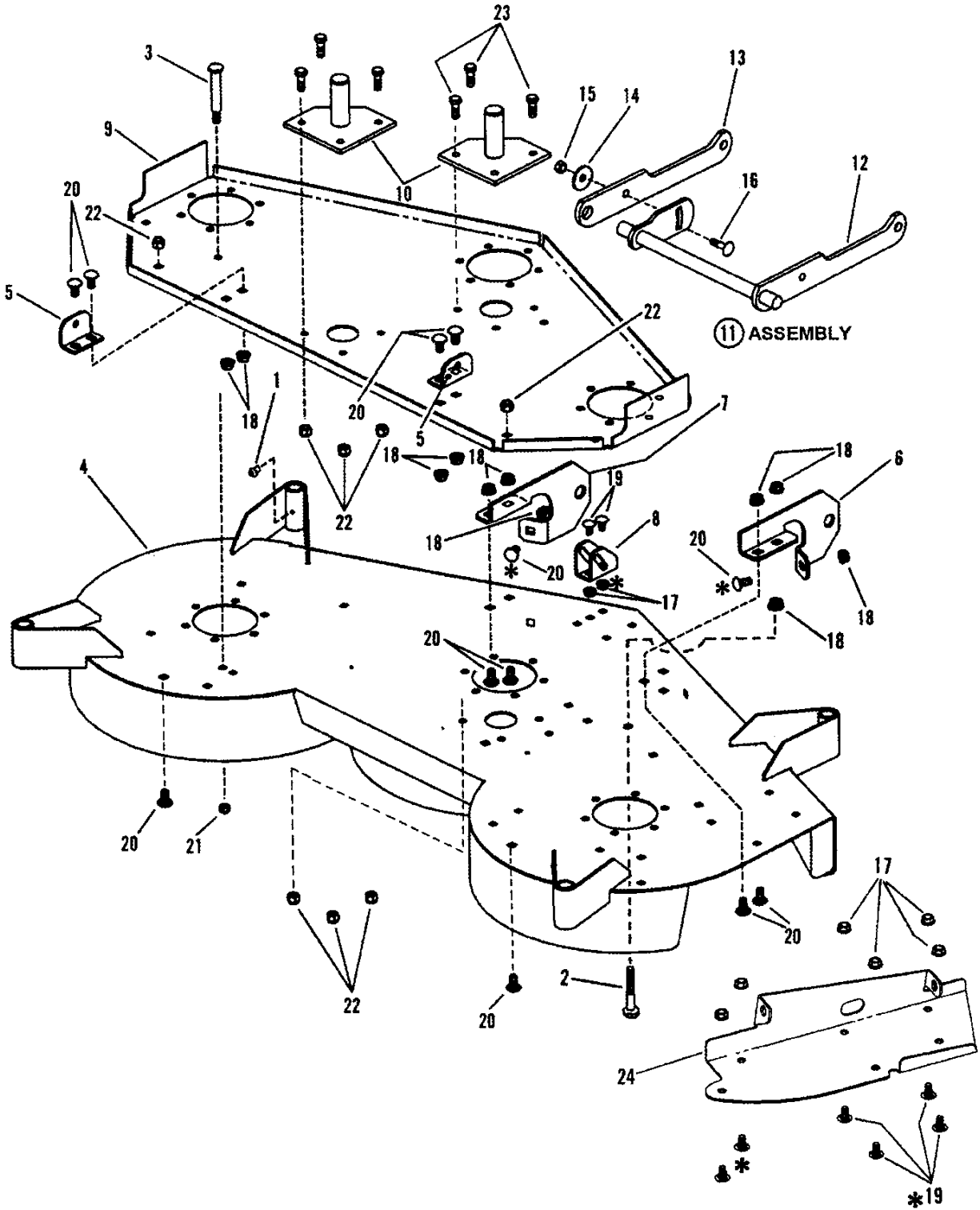
## SPINDLE ASSEMBLY- 42" CUTTING DECK

---

Item	Part No	Qty	Description	Note
1	7051914	2	ASSEMBLY, Spindle Housing, 42" Deck (Includes items 2 thru 7)	<i>Was 59723 (Used on LT160H42HBV, LT160H42HBV3, LT180H42IBV2 &amp; WLT180H42IBV2)</i>
2	7012491	2	RING, 1-3/4" Retaining	
3	7013313	2	BALL BEARING, 3/4" I.D.	
4	7051918	1	WELDMENT, Spindle Housing	<i>Was 47917</i>
5	7032294	1	BLADE HOLDER	
6	7014407	1	WASHER, Spindle	
7	7027668	1	SHAFT, Spindle (6.5" long)	

### Footnotes:

48" CUTTING DECK ASSEMBLY (Series "H") PT.1



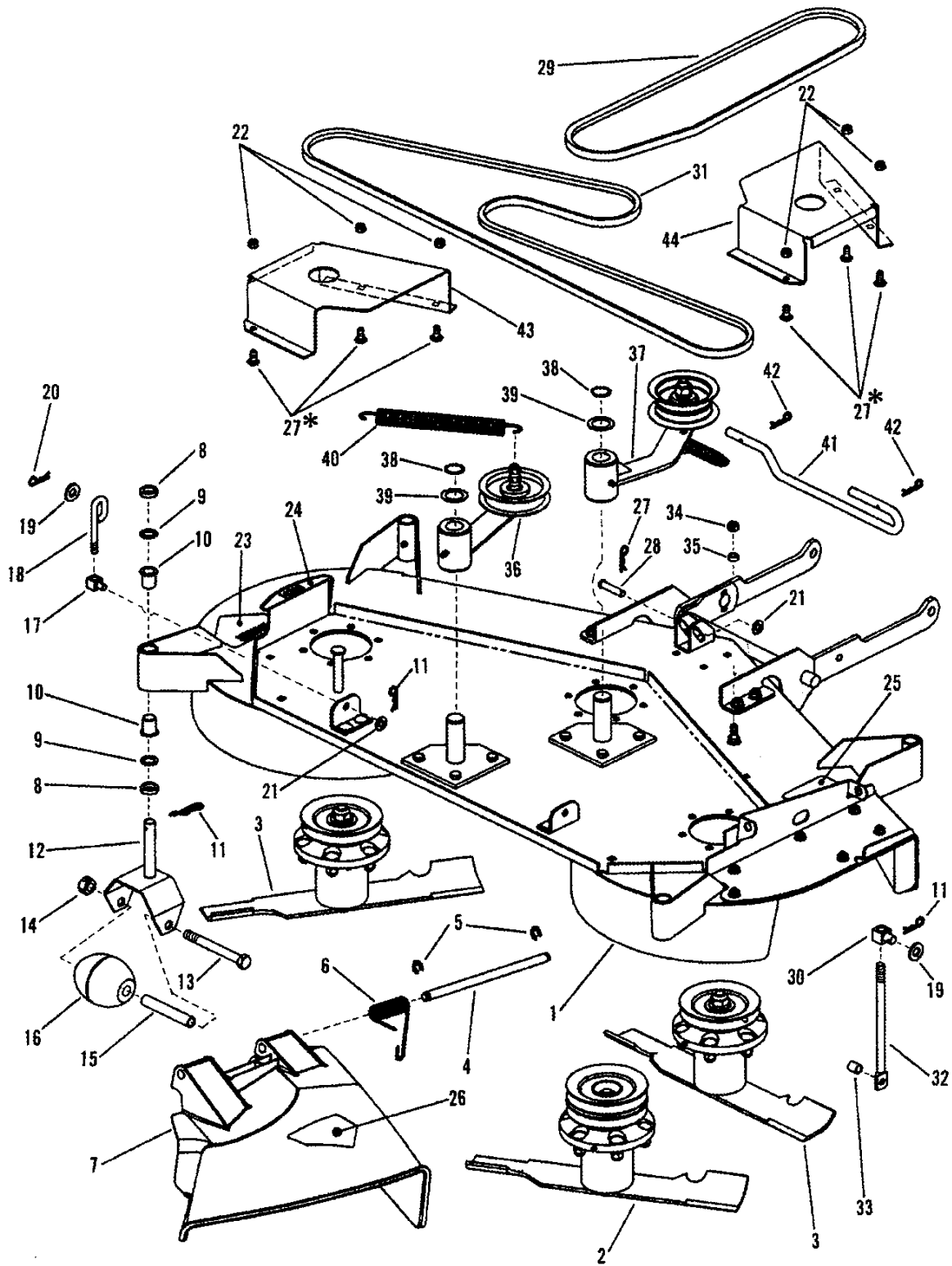
\* NOTE: THE HEADS OF THESE FASTENERS ARE LOCATED INSIDE THE DECK.

## 48" CUTTING DECK ASSEMBLY (Series "H") PT.1

Item	Part No	Qty	Description	Note
1	7013864	4	LUBE FITTING, Straight (press-fit for .187 dia. Hole)	
2	7091328	1	SCREW, 3/8-16 x 1-1/4" Hex Head Cap, GR5	Was 90143
3	7029265	1	SHOULDER BOLT, 3/8-16 thread	
4	7063297	1	WELDMENT, 48" Deck	Was 46611
5	7046860	2	BRACKET, Rear Lift- 48" Deck	
6	7046864	1	BRACKET, Front Hanger- Right Hand	
7	7046865	1	BRACKET, Front Hanger- Left Hand	
8	7046870	1	BRACKET, Front Hanger- 48" Deck	
9	7046929	1	STIFFENER, 48" Deck	
10	7046947	2	WELDMENT, Idler Plate	
11	7054142	1	ASSEMBLY, Front Lift Arm- 97 Model Year (Incl. items 12 thru 16)	
12	7042602	1	WELDMENT, Front Lift Arm	
13	7035603	1	ARM, Lift	
14	7012063	1	WASHER, Cone, 13/32 x 1-13/32" Diameter	
15	7091302	1	NUT, 3/8-16 Hex	Was 90130
16	7091790	1	BOLT, 3/8-16 x 1-1/4" Square Neck Carriage, GR5	Was 91716
17	7091601	8	NUT, 5/16-18 Hex Flange Lock, GR5	
18	7091619	11	NUT, 3/8-16 Hex Flange Lock	Was 90613
19	7090799	8	BOLT, 5/16-18 x 5/8" Short Neck Carriage, GR5	
20	7091547	12	BOLT, 3/8-16 x 3/4" Short Neck Carriage, GR2	Was 90850
21	7091298	1	NUT, 5/16-18-3B Hex Nyloc	
22	7091299	8	NUT, 3/8-16-3B Hex Nyloc	
23	7091304	6	SCREW, 3/8-16 x 1" Hex Head Cap, GR5	
24	7058119	1	BRACKET, Hinge	

### Footnotes:

**48" CUTTING DECK ASSEMBLY (Series "H") PT.2**



**\* NOTE: THE HEADS OF THESE FASTENERS ARE LOCATED INSIDE THE DECK.**

## 48" CUTTING DECK ASSEMBLY (Series "H") PT.2

Item	Part No	Qty	Description	Note
1	7057821	1	ASSEMBLY, 48" Deck (see previous page)	
2	7057921	1	ASSEMBLY, 48" Drive Spindle	
3	7057920	2	ASSEMBLY, 48" L.H./R.H. Spindle	
4	7072044	1	PIN, Chute Hinge	
5	7014341	2	RING, Retaining	
6	7035813	1	SPRING, Torsion (Side Chute)	
7	7029425	1	CHUTE, Side Discharge	
8	7076436	8	SPACER, Blade	
9	7091628	8	WASHER, .64 x .99 x .05 Flat	
10	7043858	8	BEARING, 1/2 x 3/4" Plastic	Was 46278
11	7091503	5	HAIR PIN, 3/32 x 1.5"	
12	7046302	4	WELDMENT, Anti-Scalp Wheel	
13	7090993	4	SCREW, 1/2-20 x 4-1/2" Hex Head Cap, GR5	
14	7090266	4	NUT, 1/2-20 Hex Center Lock, GR5 or B	
15	7046301	4	SLEEVE, Wheel Caster	
16	7073142	4	ROLLER, Low Density Polyethylene	Was 79226
17	7024607	2	SWIVEL, Brake Link	
18	7046790	2	ROD, Rear Lift- 48" Deck	
19	7091587	3	WASHER, .531 x 1.062 x .121 Flat SAE	
20	7091594	4	COTTER PIN, 1/2" Self Lock	
21	7090122	6	WASHER, 3/8" Flat SAE	
22	7091298	6	NUT, 5/16-18-3B Hex Nyloc	
23	7013010	2	DECAL, Danger, Cut Finger	
24	7024431	1	DECAL, 48" Deck	
25	7046720	1	DECAL, Chute/Deflector	
26	7013010	1	DECAL, CPSC Heavy Adhesive	Was 26831
27	7091508	6	BOLT, 5/16-18 x 3/4" Short Neck Carriage, GR5	
28	7046491	1	PIN, 3/8 x 1-1/2" Clevis	Was 91977
29	7046926	1	BELT, HA Sect. 50.65" (Electric Clutch)	
30	7026827	1	SWIVEL, Lift, 1/2-13 thread	
31	7028334	1	BELT, HA Sect., 94.50" effective length (TTK50 Traction Drive)	
32	7046873	1	ROD, Front Lift- 48" Deck	
33	7023478	1	SPACER	
34	7091585	1	NUT, 3/8-16 Hex Center Lock, GR5 or B	
35	7024180	1	SPACER, Tie Rod	
36	7057923	1	ASSEMBLY, Deck Idler	
37	7057950	1	ASSEMBLY, Drive Idler Arm	

### Footnotes:



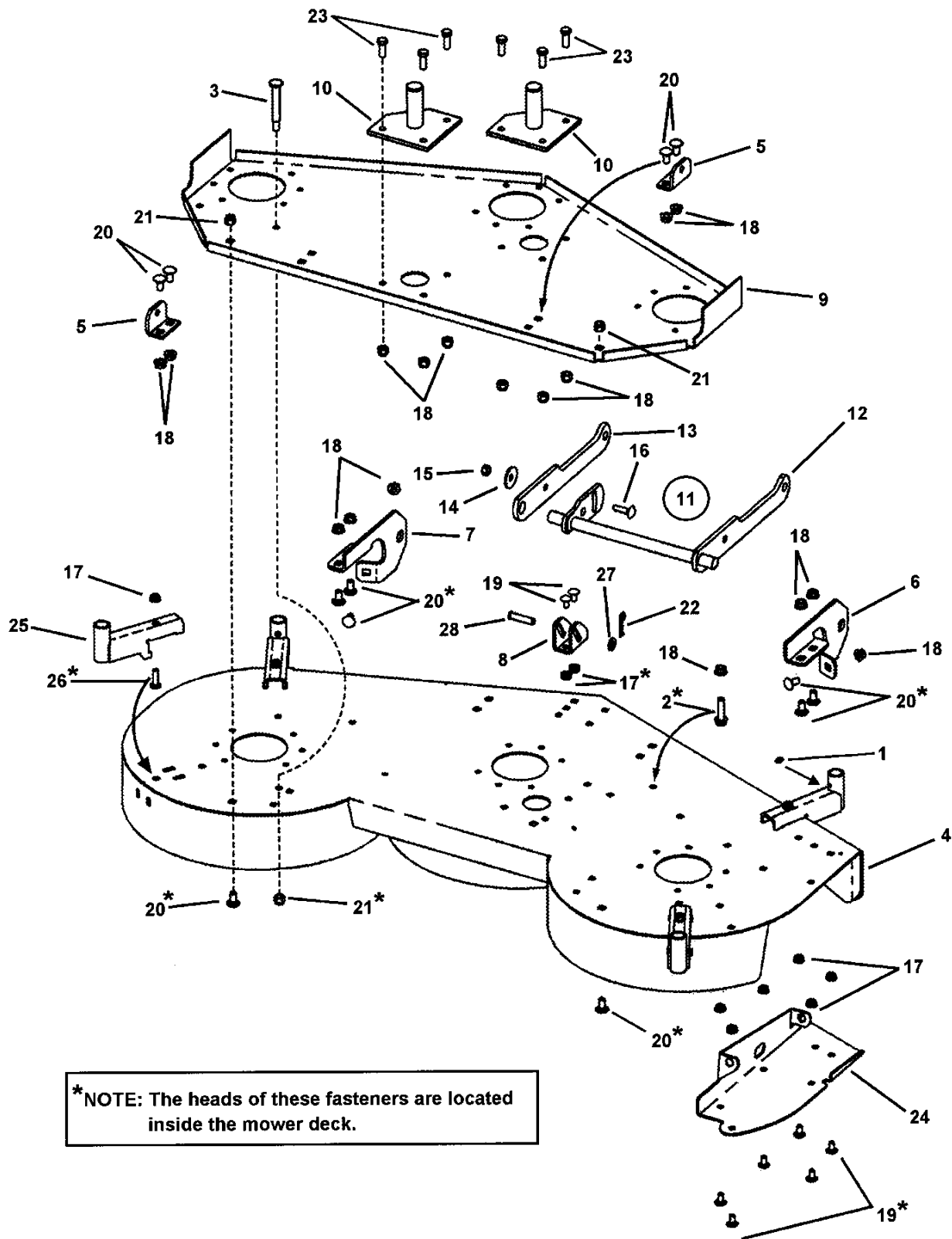
## 48" CUTTING DECK ASSEMBLY (Series "H") PT.2

---

Item	Part No	Qty	Description	Note
38	7012709	2	RING, 1" External Retaining	
39	7023747	2	BUSHING, 1" Machine	
40	7029272	1	SPRING, Extension- Primary Idler	
41	7027471	1	PIN, Deck Hanger Improved	
42	7091596	2	HAIRPIN, .148 x 2.62	
43	7047086	1	COVER, L.H. Spindle	
44	7047087	1	COVER, R.H. Spindle	

### Footnotes:

**48" CUTTING DECK ASSEMBLY (Series "I") PT.1**



**\*NOTE: The heads of these fasteners are located inside the mower deck.**

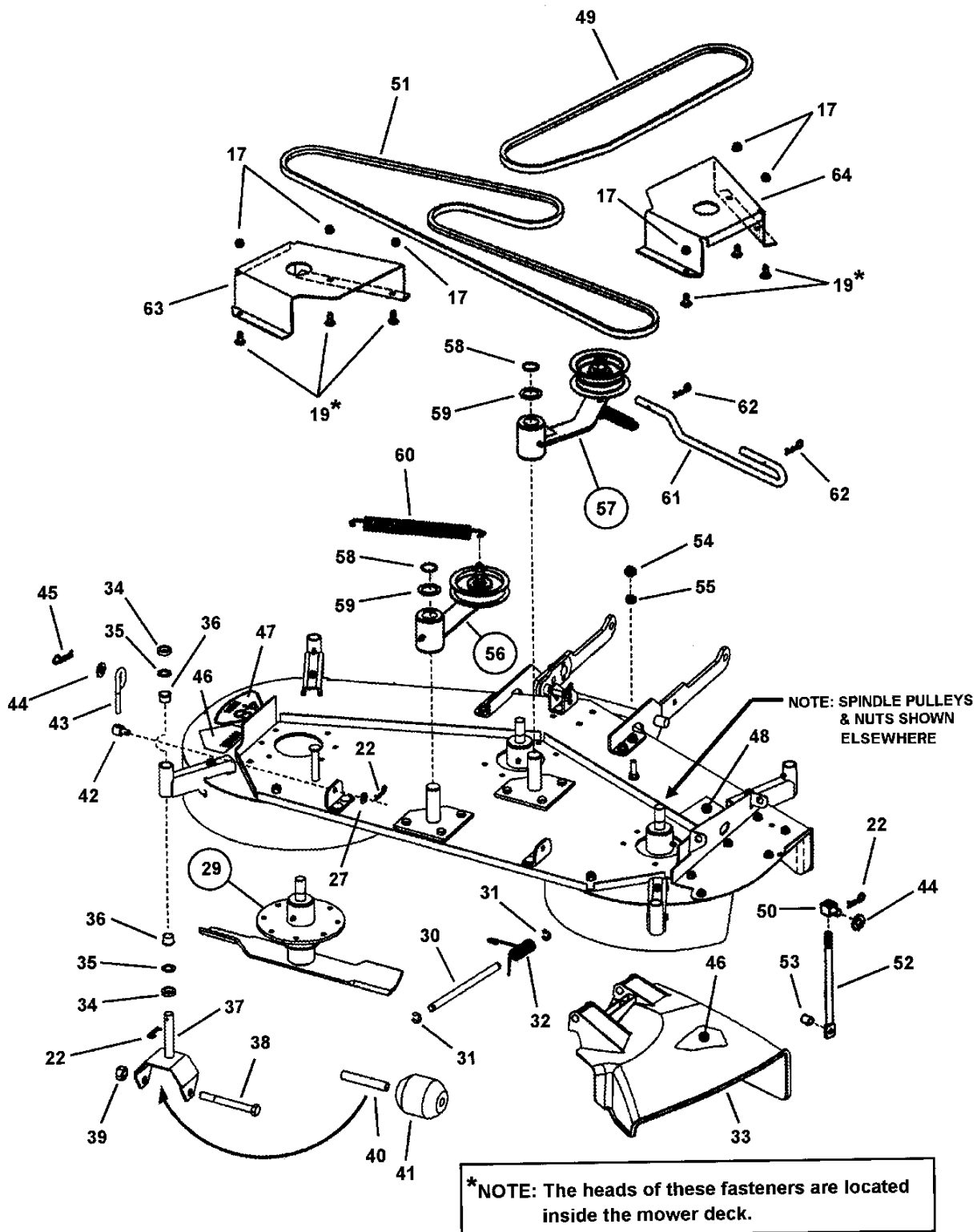


## 48" CUTTING DECK ASSEMBLY (Series "I") PT.1

Item	Part No	Qty	Description	Note
1	7013864	4	LUBE FITTING, Straight (press-fit for .187 dia. Hole)	
2	7090614	1	BOLT, 3/8-16 x 1-1/2" Hex Flange Lock, GR5	
3	7029265	1	SHOULDER BOLT, 3/8-16 thread	
4	7044799	1	WELDMENT, 48" Deck	
5	7046860	2	BRACKET, Rear Lift- 48" Deck	
6	7046864	1	BRACKET, Front Hanger- Right Hand	
7	7046965	1	BRACKET, Front Hanger Left Hand	
8	7046870	1	BRACKET, Front Hanger- 48" Deck	
9	7071614	1	STIFFNER, 48" Deck- LT	
10	7046947	2	WELDMENT, Idler Plate	
11	7054142	1	ASSEMBLY, Front Lift Arm (Includes items 12 thru 16)	
12	7046202	1	WELDMENT, Front Lift Arm	
13	7035603	1	ARM, Lift	
14	7012063	1	WASHER, Cone, 13/32 x 1-13/32" Diameter	
15	7091302	1	NUT, 3/8-16 Hex	Was 90130
16	7091790	1	BOLT, 3/8-16 x 1-1/4" Square Neck Carriage, GR5	Was 91716
17	7091601	33	NUT, 5/16-18 Hex Flange Lock, GR5	
18	7091619	19	NUT, 3/8-16 Hex Flange Lock	
19	7090799	9	BOLT, 5/16-18 x 5/8" Short Neck Carriage, GR5	
20	7091547	18	BOLT, 3/8-16 x 3/4" Short Neck Carriage, GR2	Was 90850
21	7091299	9	NUT, 3/8-16-3B Hex Nyloc	
22	7091503	3	HAIR PIN, 3/32 x 1.5"	
23	7091304	6	SCREW, 3/8-16 x 1" Hex Head Cap, GR5	
24	7074951	1	BRACKET, Hinge (48" Deck)	used on Series "I" Models
25	7044801	4	WELDMENT, Caster	
26	7091169	4	BOLT, 5/16-18 x 1-1/8" Short Neck Carriage, GR5	
27	7090122	1	WASHER, 3/8" Flat SAE	
28	7046491	1	PIN, 3/8 x 1-5/8" Clevis	

### Footnotes:

**48" CUTTING DECK ASSEMBLY (Series "I") PT.2**

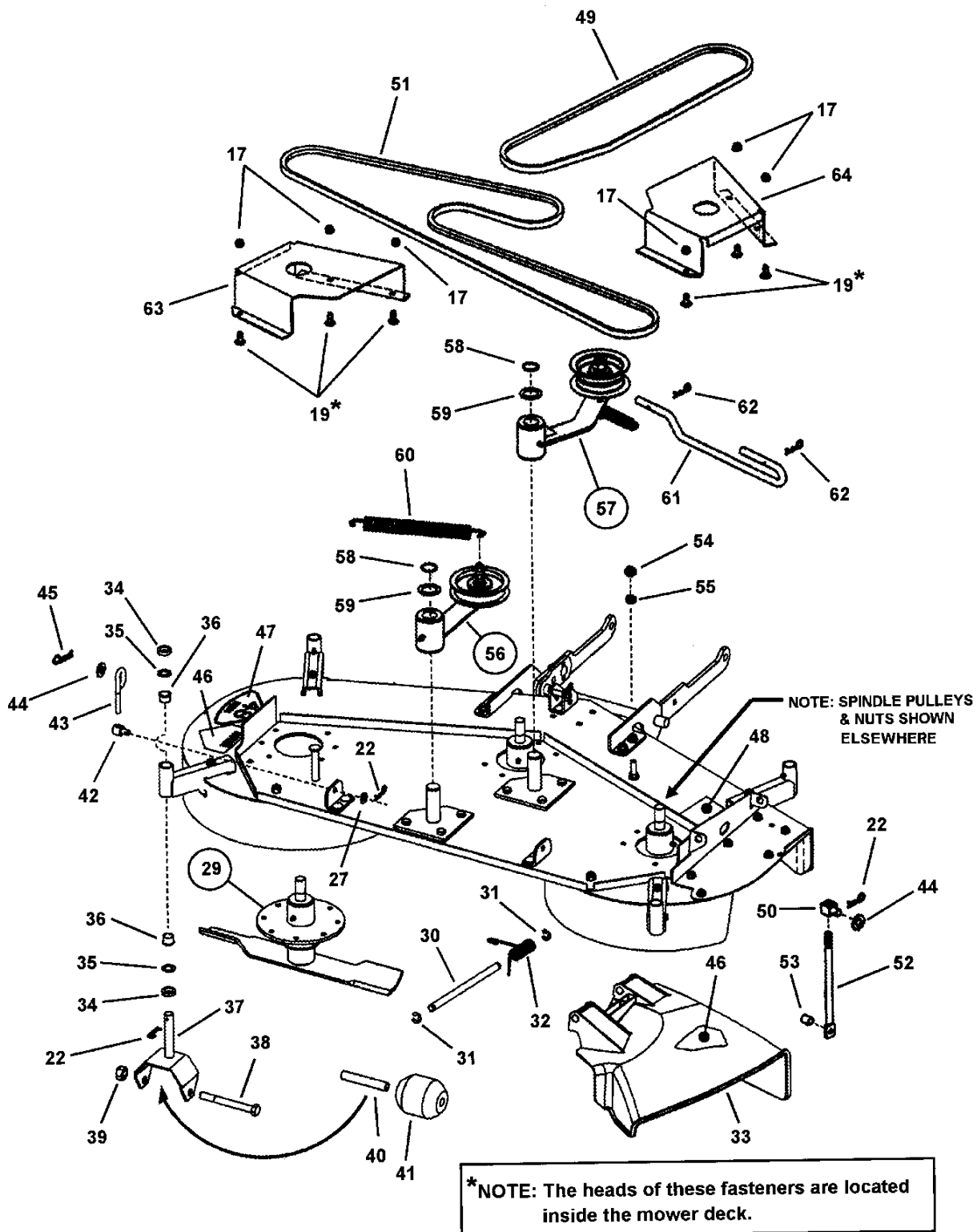


## 48" CUTTING DECK ASSEMBLY (Series "I") PT.2

Item	Part No	Qty	Description	Note
17	7091601	5	NUT, 5/16-18 Hex Flange Lock, GR5	
19	7090799	5	BOLT, 5/16-18 x 5/8" Short Neck Carriage, GR5	
22	7091503	2	HAIR PIN, 3/32 x 1.5"	
27	7090122	1	WASHER, 3/8" Flat SAE	
29	7054376	3	ASSEMBLY, 48" Spindle	
30	7072044	1	PIN, Chute Hinge	
31	7014341	2	RING, Retaining	
32	7035813	1	SPRING, Chute	
33	7029425	1	CHUTE, Side Discharge	
34	7076436	8	SPACER, Blade	
35	7091628	8	WASHER, .64 x .99 x .05 Flat	
36	7043858	8	BUSHING, Flange, .64 x .75 x .5	
37	7046302	4	WELDMENT, Anti-Scalp Wheel	
38	7090993	4	SCREW, 1/2-20 x 4-1/2" Hex Head Cap, GR5	
39	7090266	4	NUT, 1/2-20 Hex Center Lock, GR5 or B	
40	7046301	4	SLEEVE, Wheel Caster	
41	7073142	4	ROLLER, Low Density Polyethylene	Was 79226
42	7041874	2	SWIVEL, 3/8-16 thread, .109 Hole	
43	7046790	2	ROD, Rear Lift- 48" Deck	
44	7091587	3	WASHER, .531 x 1.062 x .121 Flat SAE	
45	7091594	4	COTTER PIN, 1/2" Self Lock	
46	7013010	2	DECAL, Danger, Cut Finger	
47	7024431	1	DECAL, 48" Deck	
48	7046720	1	DECAL, Chute/Deflector	
49	7075121	1	BELT, HB Sect. 52.165" effective length- 48" Deck Drive	used on electric clutch
50	7026827	1	SWIVEL, Lift, 1/2-13 thread	
51	7028334	1	BELT, HA Sect., 94.50" effective length (TTK50 Traction Drive)	
52	7046873	1	ROD, Front Lift- 48" Deck	
53	7023478	1	SPACER	
54	7091585	1	NUT, 3/8-16 Hex Center Lock, GR5 or B	
55	7024180	1	SPACER, Tie Rod	
56	7057923	1	ASSEMBLY, Deck Idler	see 48" Deck Idler Page
57	7057950	1	ASSEMBLY, Drive Idler Arm	see 48" Deck Idler Page
58	7012709	2	RING, 1" External Retaining	
59	7023747	2	BUSHING, 1" Machine	
60	7029272	1	SPRING, Extension- Primary Idler	
61	7027471	1	PIN, Deck Hanger Improved	

### Footnotes:

**48" CUTTING DECK ASSEMBLY (Series "I") PT.2**

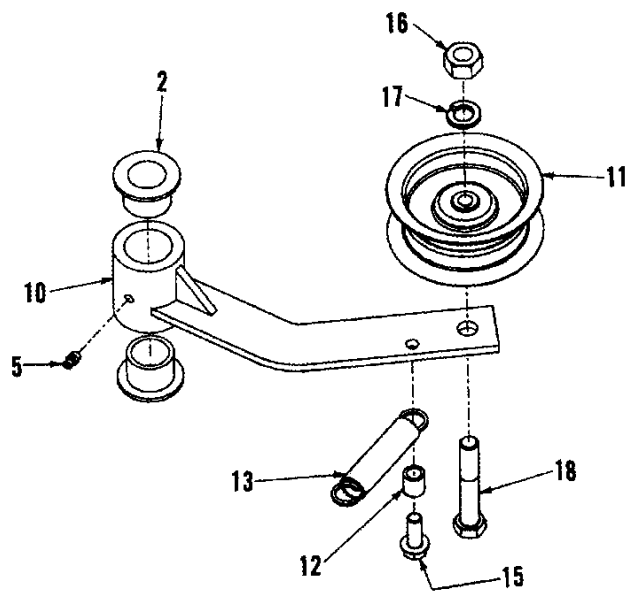
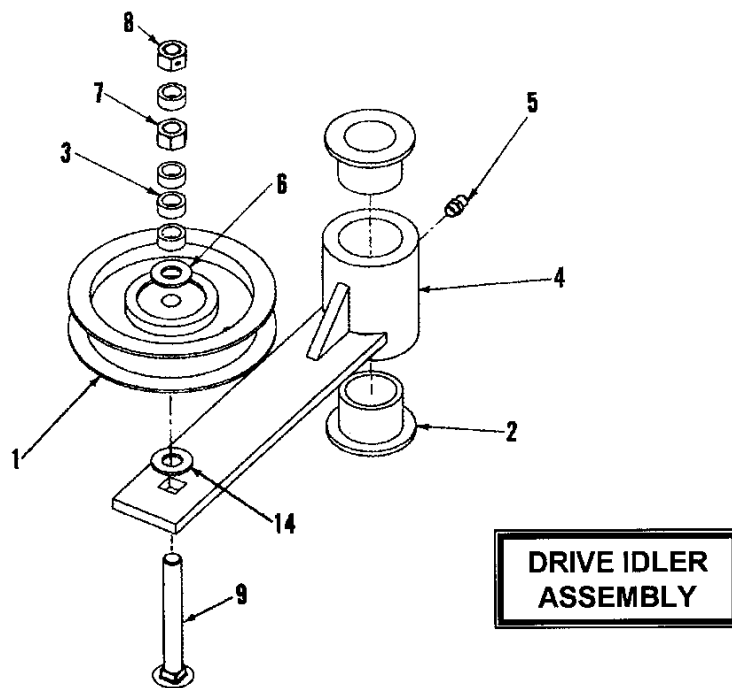


## 48" CUTTING DECK ASSEMBLY (Series "I") PT.2

---

Item	Part No	Qty	Description	Note
62	7091596	2	HAIR PIN, 3/32 x 1-1/2"	
63	7044803	1	COVER, Spindle- Left Hand	
64	7044804	1	COVER, Spindle- Right Hand	

**Footnotes:**



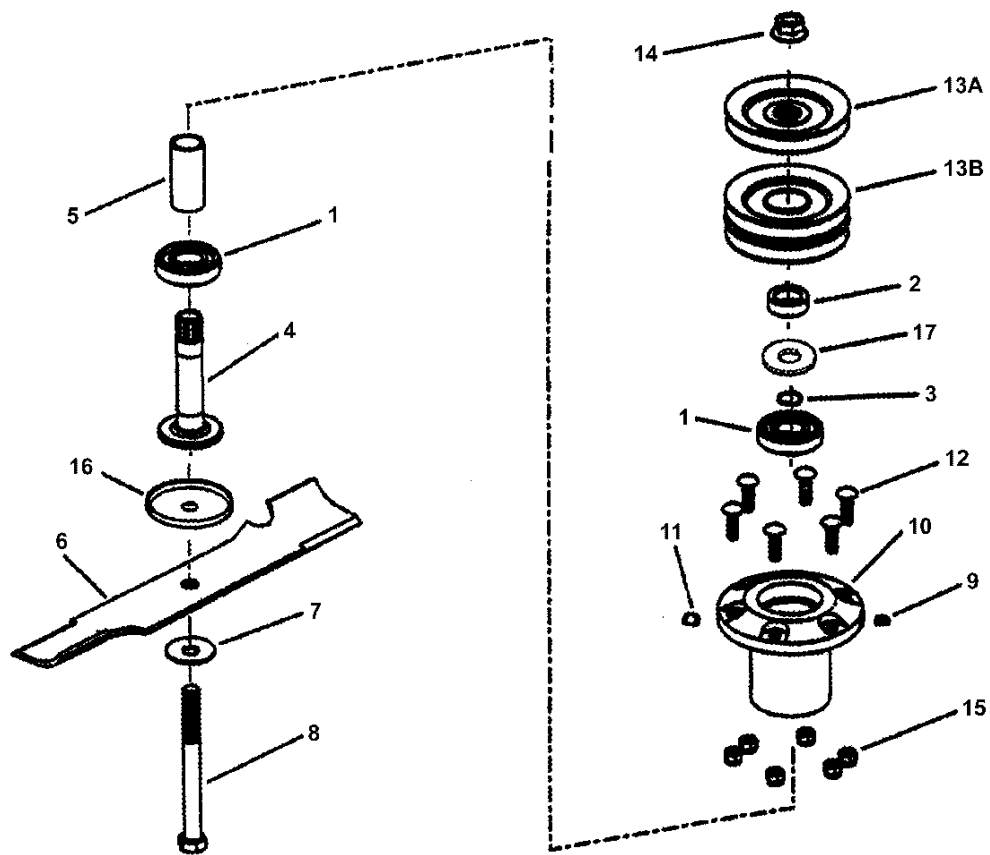
## 48" DECK IDLER ASSEMBLIES

---

Item	Part No	Qty	Description	Note
1	7018574	1	IDLER, 4.12 Flat	
2	7023556	4	BUSHING, Caster	
3	7024180	4	SPACER, Tie Rod	
4	7046949	1	WELDMENT, Idler Arm	
5	7076998	2	FITTING, Lube, 1/4-28 Straight	
6	7090122	1	WASHER, 3/8" Flat SAE	
7	7091302	1	NUT, 3/8-16 Hex , GR5 or B	
8	7091585	2	NUT, 3/8-16 Hex Center Lock, GR5 or B	
9	7091155	1	BOLT, 3/8-16 x 3" Square Neck Carriage, GR5	
10	7046717	1	WELDMENT, Idler Arm- 48" Deck	
11	7026310	1	IDLER, 3-1/4 O.D. x 1-3/4" Flat	
12	7023478	1	SPACER	
13	7029134	1	SPRING, Extension	
14	7090122	1	WASHER, 3/8" Flat SAE	
15	7090324	1	SCREW, 3/8-16 x 1" Hex Washer Self-Tap	
16	7091316	1	NUT, 1/2-13 Hex, GR B	
17	7091322	1	WASHER, 1/2" Split Lock	
18	7091821	1	SCREW, 1/2-13 x 3" Hex Head Cap	

### Footnotes:

**48" DECK SPINDLE ASSEMBLY- Series "H"**



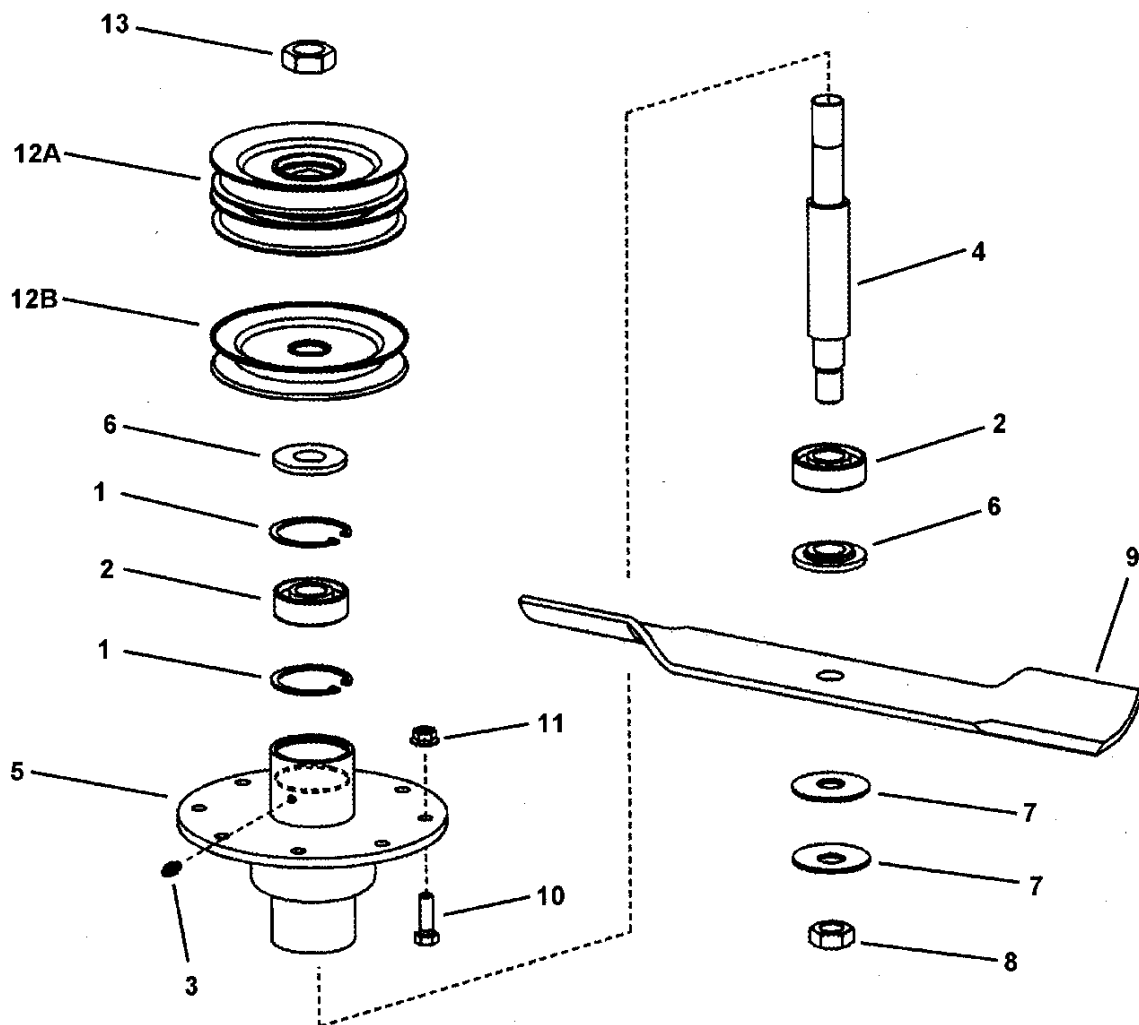


## 48" DECK SPINDLE ASSEMBLY- Series "H"

Item	Part No	Qty	Description	Note
-	7054011	3	ASSEMBLY, Spindle (contains indented items below)	
1	7029422	2	BALL BEARING, Sealed	
2	7029272	1	SPRING, Extension- Primary Idler	
3	7029274	1	SNAP-RING, Spindle Shaft	
4	7059311	1	SHAFT, Spindle	
5	7029254	1	SPACER, Bearing	
6	7075771	1	BLADE, 16-1/2"	Was 29247
7	7016440	1	WASHER, Belleville	
8	7063236	1	BOLT, 5/8-18 x 6-5/8" Hex Head, GR5	Was 91980 (Now 63236 + 63237)
9	7076998	1	LUBE FITTING, 1/4-28 Thread Forming	Was 29275
10	7058237	1	HOUSING, Cutter	Was 29252
11	7029384	1	VENT, Spindle	Alemite # 321839
12	7029302	6	BOLT, 3/8-16 x 1-1/4" Rib Necked	
13A	7046917	1	PULLEY, Spindle (48" Deck L.H. & R. H.)	
13B	7046794	1	PULLEY, Spindle (48" Deck Drive)	
14	7063237	1	NUT, 5/8-18 Hex Flange Lock, GR5	Was 91736
15	7091299	6	NUT, 3/8-16-3B Hex Nyloc	
16	7072077	1	CUP, Spindle Cover	
17	7063238	1	SEAL, Nylos	

### Footnotes:

48" DECK SPINDLE ASSEMBLY- Series "I"



## 48" DECK SPINDLE ASSEMBLY- Series "I"

---

Item	Part No	Qty	Description	Note
1	7012491	2	RING, 1-3/4" Retaining	
2	7013313	2	BALL BEARING, 3/4" I.D.	
3	7010817	1	LUBE FITTING, Straight (press-fit for .187 dia. Hole)	
4	7073405	1	SHAFT, 48" Spindle (7.8" long)	
5	7044798	1	WELDMENT, Spindle Housing	
6	7014407	2	WASHER, Spindle	
7	7016440	2	WASHER, Belleville	
8	7090658	1	NUT, 5/8-18 Hex Jam	
9	7017043	1	BLADE, 16-1/2" High Lift	
10	7027168	6	SCREW, 5/16-18 x 1" Hex Head Cap, GR5	Was 90636
11	7091601	6	NUT, 5/16-18 Hex Flange Lock, GR5	Was 91070
12A	7073518	1	PULLEY, Deck/Drive- 48" (center spindle)	
12B	7014544	2	PULLEY, 4-3/4" O.D. (outboard spindles)	
13	7074467	3	NUT, 3/4-16 Hex Flange Jam, GR8	

### Footnotes:

**CLUTCH/BRAKE PEDAL** **LIFT LEVER**

**PARKING BRAKE LATCH**

**WARNING**

**TO AVOID SERIOUS INJURY OR DEATH**

**BEFORE MOWING:**

- READ OPERATOR'S MANUAL AND OTHER INSTRUCTIONS CAREFULLY WITH THIS MOWER AND A DISCOURSE.
- KNOW LOCATION AND FUNCTION OF ALL CONTROLS. CHECK TO BE SURE BLADES ARE TO LEARN CONTROLS AND CHECK FOR PROPER OPERATION.
- MAKE SURE THE MOWER IS PROPERLY MAINTAINED AND SAFETY DEVICES ARE IN PROPER POSITION AND FUNCTIONING.
- CLEAR MOWING AREA OF HOLES, ROCKS AND OTHER DEBRIS. IF YOU COULD CAUSE BLEEDING THROUGH BY BLADE.

**PROTECT CHILDREN AND OTHER PEOPLE:**

- DO NOT ALLOW CHILDREN TO OPERATE THIS MOWER UNLESS THEY ARE TRAINED AND UNDER YOUR SUPERVISION.
- TURN OFF AND LOCK SAFETY DEVICES BEFORE OPERATING MOWER.
- LOOK DOWN AND AROUND BEFORE AND WHILE BACKING.
- NEVER CARRY CHILDREN, EVEN WITH BLADES OFF.

**PREVENT TIP-OVER ACCIDENTS:**

- DO NOT MOW ON SLOPES STEEPER THAN IS DESIGNATED ON THE FRONT OF THE MOWER.
- DO NOT MOW UP OR DOWN SLOPES. MOW ACROSS SLOPES.
- REDUCE SPEED AND AVOID SHARP TURNING ON SLOPES.
- AVOID SHARP TURNS. IF YOU MUST TURN SHARPLY UP OR DOWN SLOPES, TURN BLADES OFF AND BACK DOWN SLOPE.
- KEEP A SAFE DISTANCE OF LEAST THREE FEET FROM EDGE OF SLOPE AND OTHER PEOPLE.

**DO NOT MOW ON SLOPES STEEPER THAN IS DESIGNATED ON THE FRONT OF THE MOWER.**

**DO NOT MOW UP OR DOWN SLOPES. MOW ACROSS SLOPES.**

**REDUCE SPEED AND AVOID SHARP TURNING ON SLOPES.**

**AVOID SHARP TURNS. IF YOU MUST TURN SHARPLY UP OR DOWN SLOPES, TURN BLADES OFF AND BACK DOWN SLOPE.**

**KEEP A SAFE DISTANCE OF LEAST THREE FEET FROM EDGE OF SLOPE AND OTHER PEOPLE.**

**TO STOP MACHINE:**  
DEPRESS CLUTCH/BRAKE PEDAL.

**TO SET PARKING BRAKE:**  
DEPRESS CLUTCH/BRAKE PEDAL, PULL PARKING BRAKE AND HOLD WHILE RELEASING PEDAL.

**TO START ENGINE:**  
CLUTCH/BRAKE PEDAL MUST BE FULLY DERESSED IN PARK BRAKE POSITION AND PTO SWITCH MUST BE IN OFF POSITION.

**TO START DRIVING:**  
RELEASE PARKING BRAKE, SLOWLY MOVE SPEED SELECTOR FORWARD FOR FORWARD TRAVEL AND BACKWARD FOR REVERSE TRAVEL.

**TO CHANGE DRIVING SPEEDS:**  
SHIFT SPEED SELECTOR WITHOUT USING PEDAL.

**TO GET CUTTING HEIGHT:**  
DEPRESS TRIMMOR BUTTON ON LIFT LEVER, MOVE TRIMMOR TO LOWER, PULL BACK TO RAISE, RELEASE BUTTON.

**TO START BLADES:**  
PULL PTO SWITCH OUT.

**TO STOP BLADES:**  
PUSH PTO SWITCH IN.

**TO MOW PROPERLY:**  
INCREASE ENGINE SPEED AND/OR DECREASE TRIMMOR SPEED UNTIL CUT IS SMOOTH AND ENGINE IS NOT UNDER HEAVY STRAIN.

**AVOID CONTACT WITH ROTATING BLADE:**

- STOP BLADE BEFORE PUTTING FOOT ON ENGINE OR LEAVING MOWER.
- DO NOT MOW ON SLOPES STEEPER THAN IS DESIGNATED ON THE FRONT OF THE MOWER.
- NEVER OPERATE MOWER WHILE PROPERLY MAINTAINED ON SLOPES.
- KEEP OFF THE STEEP SLOPES AND MACHINES.

**TO STOP BLADES:**  
PUSH PTO SWITCH IN.

**TO MOW PROPERLY:**  
INCREASE ENGINE SPEED AND/OR DECREASE TRIMMOR SPEED UNTIL CUT IS SMOOTH AND ENGINE IS NOT UNDER HEAVY STRAIN.

**WARNING**

**GUARD OR ENTIRE GRASS CATCHER MUST BE INSTALLED BEFORE OPERATING MOWER**

48720

**WARNING**

**DO NOT CHANGE ENGINE GOVERNOR SPEED SETTINGS OR OVERSPEED ENGINE**

10031

**ROLL RELEASE**

**ROLL OUT DRIVE IN**

**CAUTION**

**INSTALL BATTERY WITH TERMINALS FORWARD**

28415

**CONVERTIBLE MOWER**

**QUALITY EQUIPMENT**

**MODEL CERTIFIED BY INDEPENDENT LABORATORY PASSES ANSI B71.1-1990 SAFETY STANDARDS**

78904

**SEALED RESERVOIR DO NOT OPEN**

1478

**DANGER**

- BLADES MUST BE TURNED OFF BEFORE BACKING MACHINE
- DO NOT ALLOW CHILDREN ON MACHINE (EVEN WITH BLADES OFF) OR IN YARD WHEN MOWING

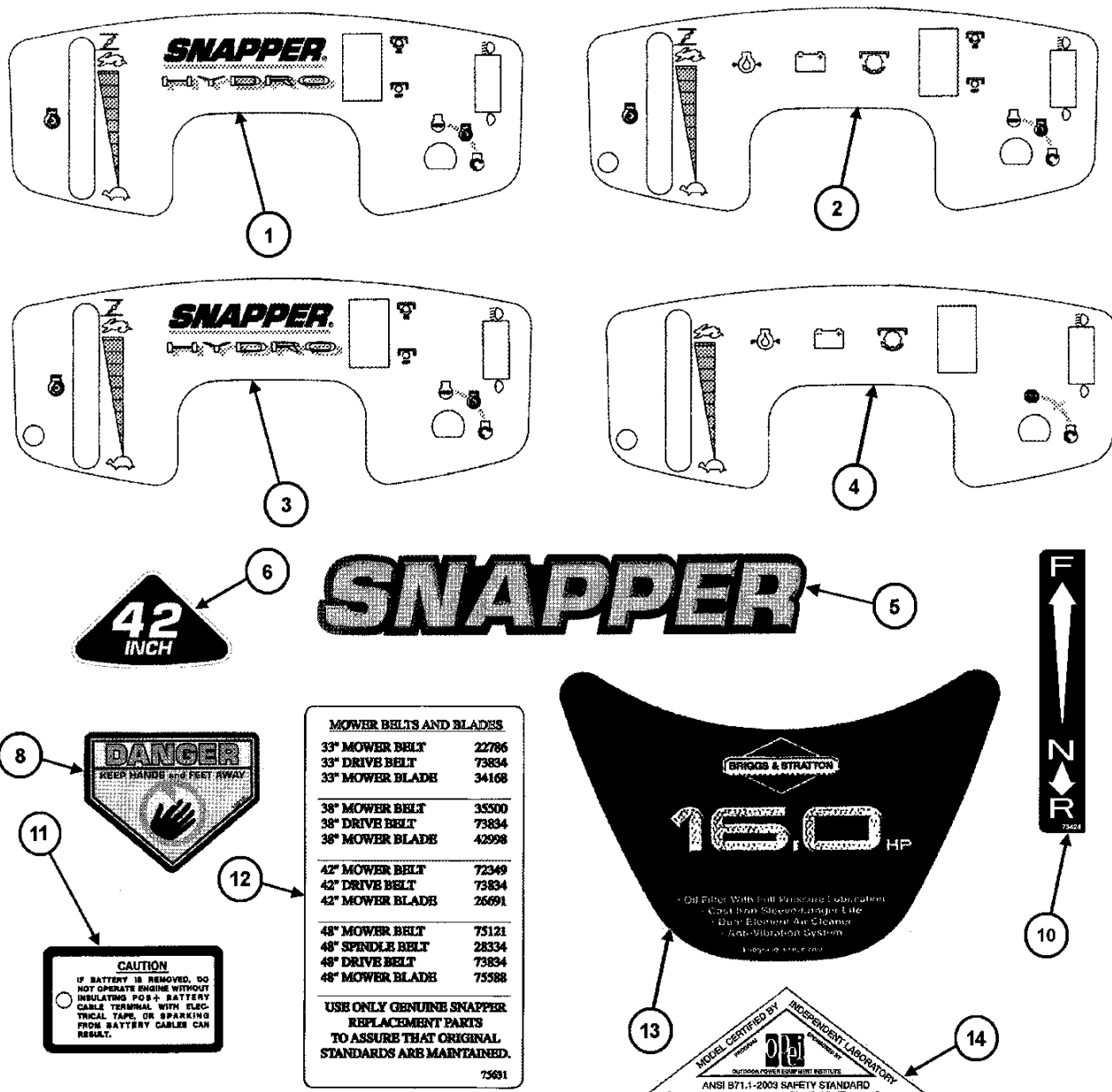
10031

## DECALS PT. 1

---

Item	Part No	Qty	Description	Note
1	7072755	1	DECAL, Instructions Frame Top Electric Clutch	
2	7046720	1	DECAL, Chute/Deflector	
3	7073231	1	DECAL, Warning-Speed Setting 14, 16, & 18 HP ENGINES	
4	7072749	1	DECAL, Roll Release	
5	7044767	1	DECAL, Hydro Reservoir	
6	7026415	1	DECAL, Caution-Battery Installation Fender	
7	7026377	1	DECAL, Medallion	<i>Was 71544 (used on Series "H" Models)</i>
8	7072920	1	DECAL, Certification, B71.1-1998	<i>used on Series "H" Models</i>
9	7073335	1	DECAL, OPEI Ride-On	
10	7074479	1	DECAL, No Mow in Reverse	

### Footnotes:



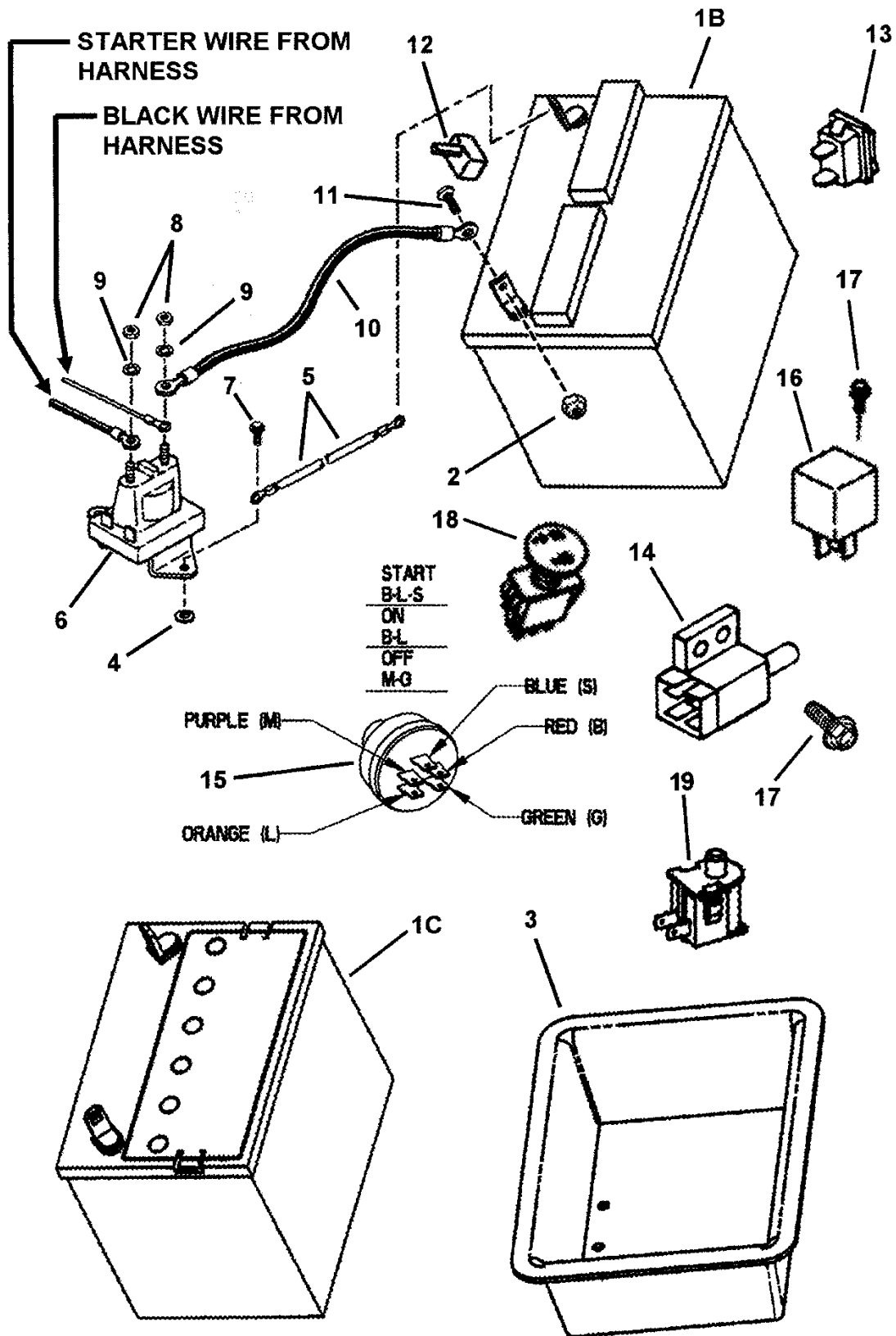
## DECALS PT. 2

---

Item	Part No	Qty	Description	Note
1	7073507	1	DECAL, Console- w/Headlights	<i>used on All Series "H" except LT180H48HBV2</i>
2	7073508	1	DECAL, Console- w/Indicator Lights	<i>used on LT180H48HBV2 and most Series "I"</i>
3	7075447	1	DECAL, Console- Headlight/Choke- LT1642	<i>used on LT160H42IBV</i>
4	7028563	1	DECAL, Console Indicators	
5	7073905	1	DECAL, Snapper- Hood- 3D, Silver Letters	
6	7024910	1	DECAL - 42 Inch	
7	7024431	1	DECAL, 48" Deck	<i>(not shown, similar to item 42" Decal)</i>
8	7013010	1	DECAL, Danger, Cut Finger	
9	7013010	1	DECAL, Danger, Cut Finger	<i>Was 26831 (not shown, same as item 8 but with heavy adhesive)</i>
10	7073424	1	DECAL, Shift Cover Hydro	
11	7016134	1	TAG, Caution	<i>used on Series "H" Models only</i>
12	7075631	1	DECAL, Service Parts, Tractor Domestic	
13	7075594	1	DECAL, Engine, 16HP OHV B&S	
14	7078022	1	DECAL, OPEI, Walk/Ride	<i>used on LT200H42IBV2</i>
15	7029470	1	DECAL, Patent Numbers	<i>not shown</i>

### Footnotes:

# ELECTRICAL COMPONENTS





## **ELECTRICAL COMPONENTS**

---

<b>Item</b>	<b>Part No</b>	<b>Qty</b>	<b>Description</b>	<b>Note</b>
1A	7060618	1	* KIT, Battery (Series "H" & "I" LTs except for LT160H42HBV) (not shown)	
1B	7075912	1	BATTERY, 12v 195 cca, 7 plates/cell, wet	<i>replaces 19044</i>
1C	7075913	1	BATTERY, 12v 300 cca, 9 plates/cell, wet	<i>replaces 74018</i>
2	7076978	6	NUT, 1/4-20 Hex Nyloc	
3	7017853	1	TRAY, Battery	
4	7012485	1	RETAINER, 1/4" Bolt	
5	7026414	1	WIRE, Ground, Black	
6	7075622	1	SOLENOID- Super Trombetta- 2 Terminal	
7	7091122	2	SCREW, 1/4-20 x 1/2" Hex Washer Self-Tap	<i>Was 90539</i>
8	7090977	2	NUT, 1/4-20 Hex Jam	
9	7090053	2	WASHER, 1/4" Internal Tooth Lock	<i>Was 91314</i>
10	7014476	1	WIRE, Positive (Red) (solenoid to battery)	
11	7090072	2	SCREW, 1/4-20 x 5/8" Hex Head Cap, GR 5	<i>Was 27172</i>
12	7012444	1	COVER, Battery Cable	
13	7023187	1	LIGHT SWITCH, Rocker, SPST	
14	7023355	1	SWITCH- DPDT	
15	7026343	1	SWITCH, Ignition-Afterfire Solenoid	
16	7028570	1	RELAY, Operator Presence Control, Electric Clutch	
17	7090913	3	SCREW, #10-24 x 1/2" Hex Washer Self-Tap (Torx)	
18	7028542	1	SWITCH, PTO Electric Clutch	
19	7023354	1	SWITCH, Seat (NC)	

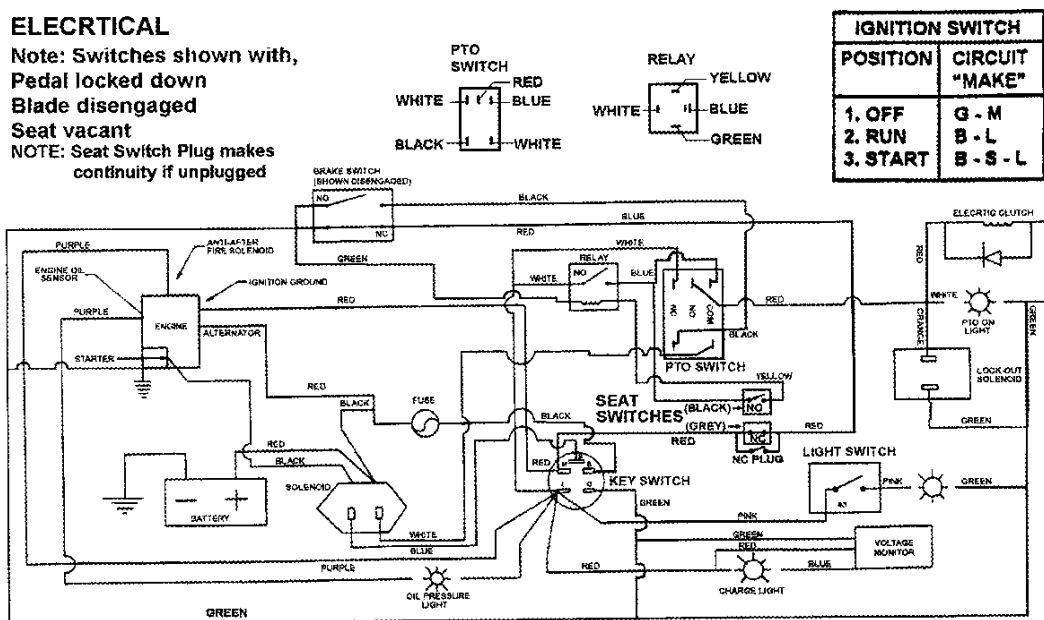
### **Footnotes:**

Note\* Includes Decal (Part No. 16134) & battery without acid.

# ELECTRICAL SCHEMATIC (All Series "I" except LT160H42IBV)

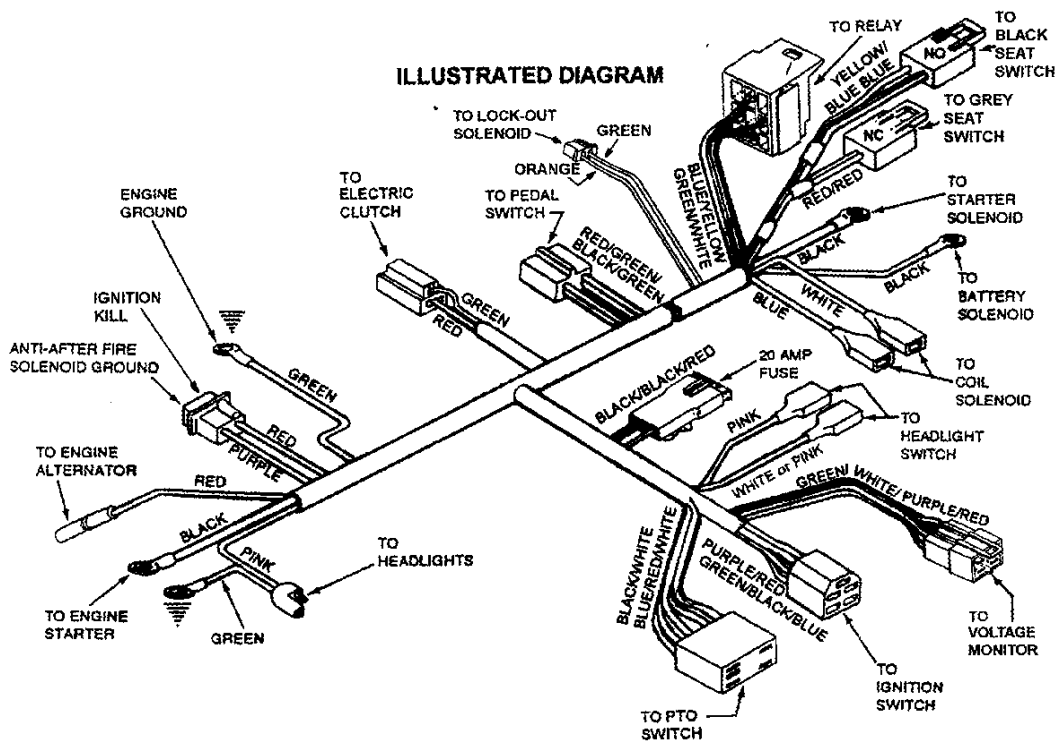
## ELECTRICAL

Note: Switches shown with, Pedal locked down  
Blade disengaged  
Seat vacant  
NOTE: Seat Switch Plug makes continuity if unplugged



IGNITION SWITCH	
POSITION	CIRCUIT "MAKE"
1. OFF	G - M
2. RUN	B - L
3. START	B - S - L

SCHMATIC - WIRING DIAGRAM Part No. 7-2722  
(All Series "I" Models except LT160H42IBV)



## ***ELECTRICAL SCHEMATIC (All Series "I" except LT160H42IBV)***

---

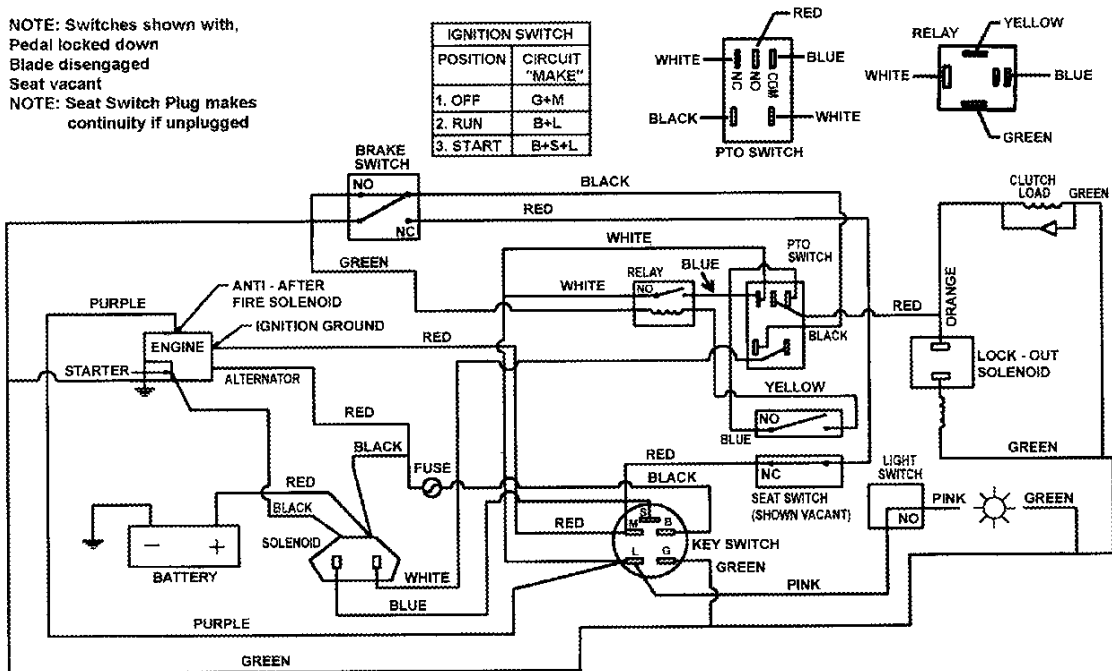
<b>Item</b>	<b>Part No</b>	<b>Qty</b>	<b>Description</b>	<b>Note</b>
-	7072722	1	HARNESS, Main B&S 18 & 20HP V-Twin Electric Clutch	<i>used on All Series "I" except LT160H42IBV</i>

**Footnotes:**

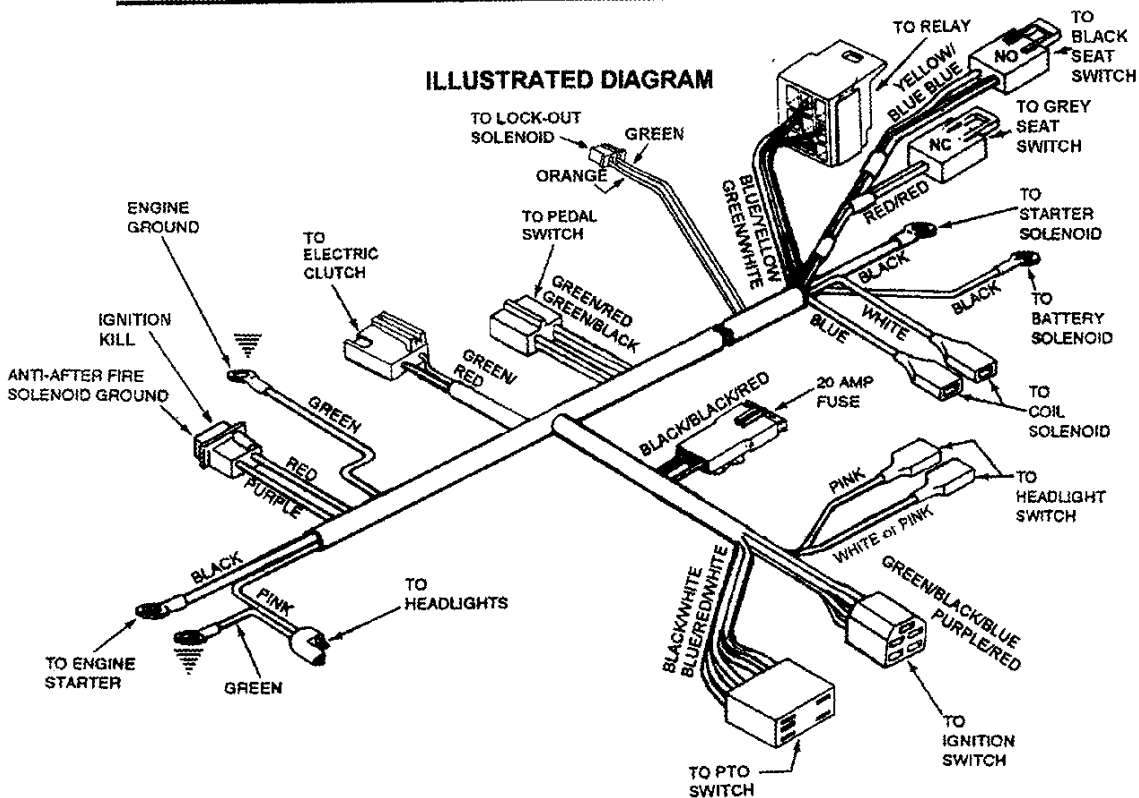
# ELECTRICAL SCHEMATIC (LT160H42IBV)

NOTE: Switches shown with,  
Pedal locked down  
Blade disengaged  
Seat vacant  
NOTE: Seat Switch Plug makes  
continuity if unplugged

IGNITION SWITCH	
POSITION	CIRCUIT "MAKE"
1. OFF	G+M
2. RUN	B+L
3. START	B+S+L



**SCHEMATIC- WIRING DIAGRAM Part No. 7-5432  
(MODEL: LT160H42IBV)**



## ***ELECTRICAL SCHEMATIC (LT160H42IBV)***

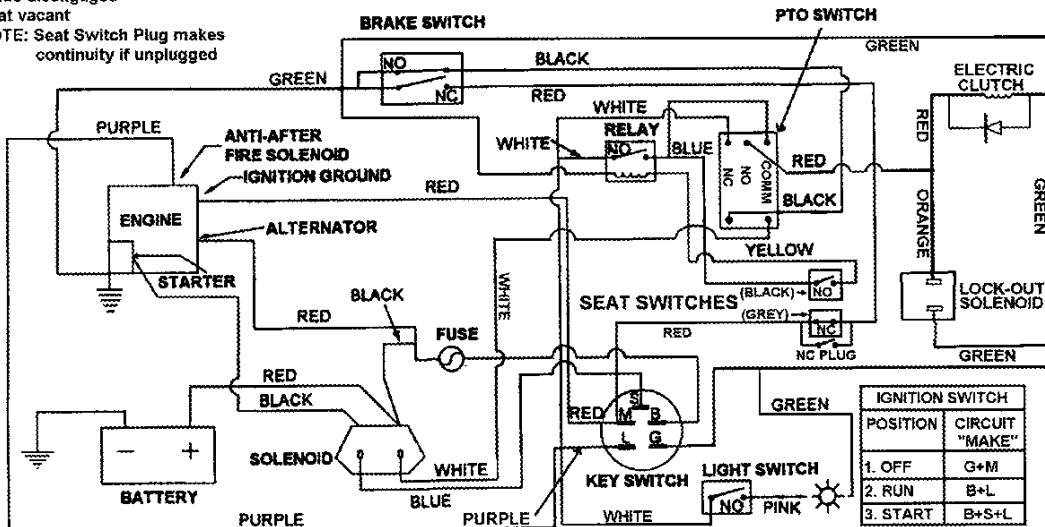
---

<b>Item</b>	<b>Part No</b>	<b>Qty</b>	<b>Description</b>	<b>Note</b>
--	7075432	1	HARNESS, Main B&S 16HP Single Electric Clutch	<i>used on LT160H42IBV</i>

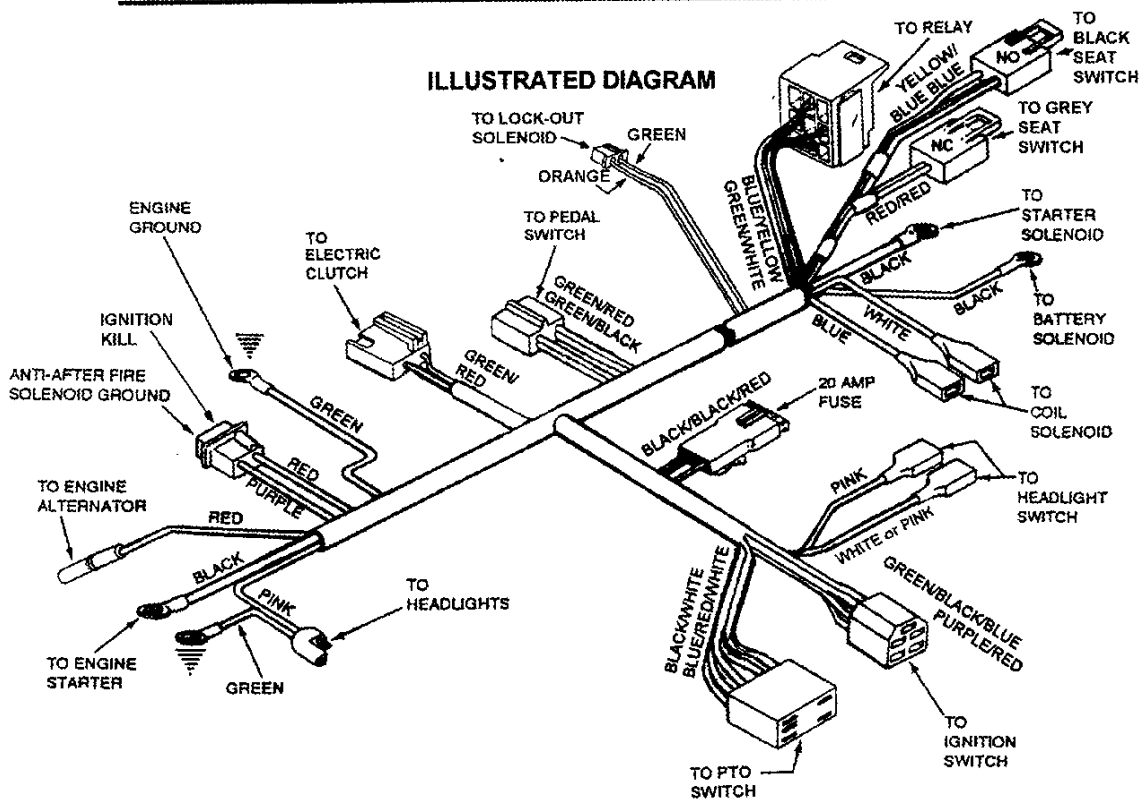
**Footnotes:**

# ELECTRICAL SCHEMATIC (LT160H42HBV & WLT160H42HBV)

NOTE: Switches shown with,  
Pedal locked down  
Blade disengaged  
Seat vacant  
NOTE: Seat Switch Plug makes  
continuity if unplugged



**SCHEMATIC-WIRING DIAGRAM Part No. 7-3418**  
(MODELS: LT160H42HBV & WLT160H42HBV)



## ***ELECTRICAL SCHEMATIC (LT160H42HBV & WLT160H42HBV)***

---

<b>Item</b>	<b>Part No</b>	<b>Qty</b>	<b>Description</b>	<b>Note</b>
--	7073418	1	HARNESS, Main B&S 16HP Single Electric Clutch	<i>used on LT160H42HBV &amp; WLT160H42HBV</i>

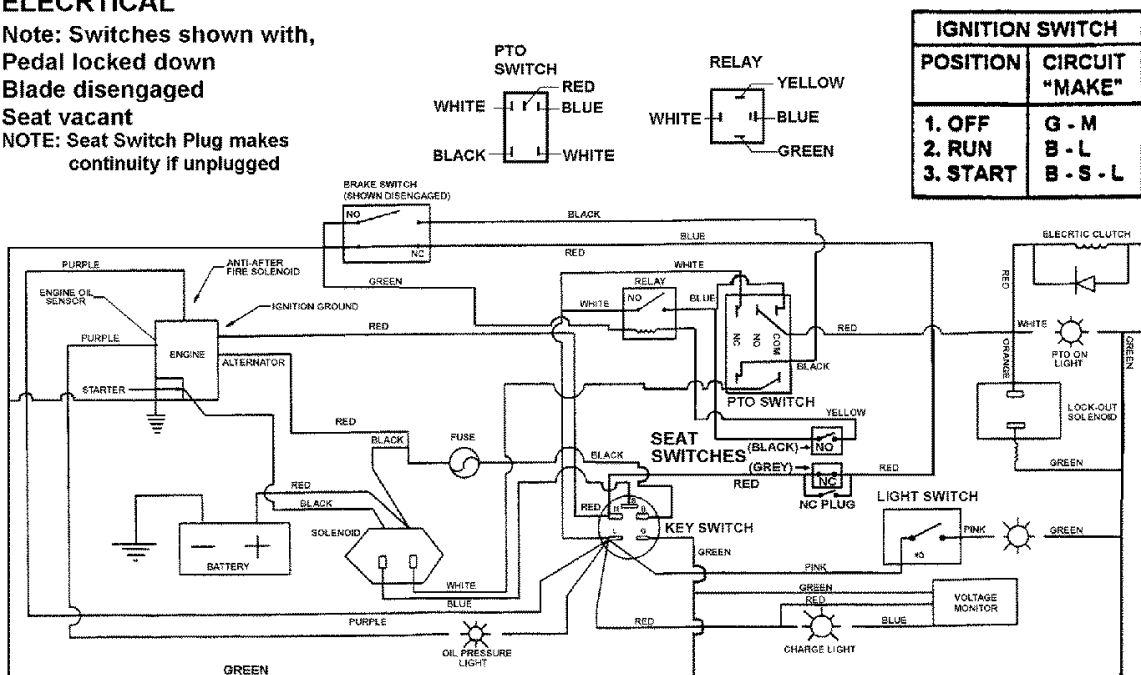
**Footnotes:**

# ELECTRICAL SCHEMATIC (LT160H42HBV2, LT180H48HBV2)

## ELECTRICAL

Note: Switches shown with,  
Pedal locked down  
Blade disengaged  
Seat vacant

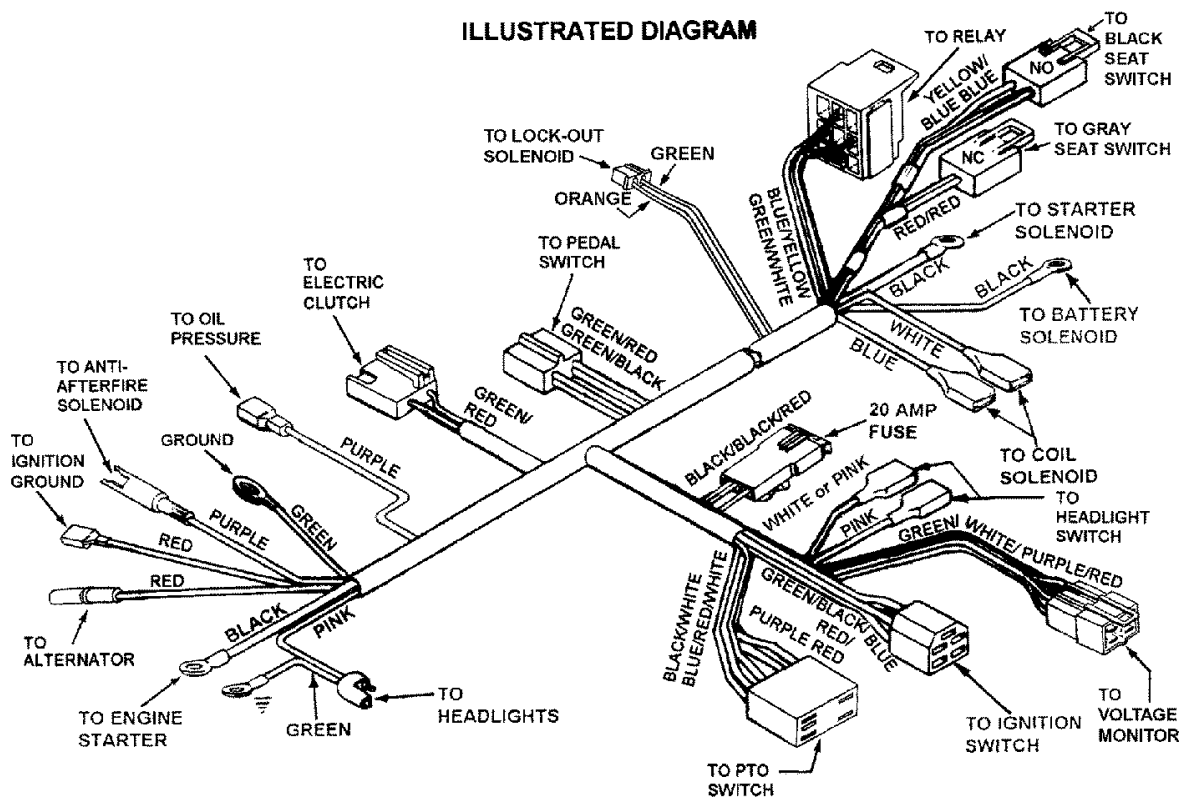
NOTE: Seat Switch Plug makes  
continuity if unplugged



IGNITION SWITCH	
POSITION	CIRCUIT "MAKE"
1. OFF	G - M
2. RUN	B - L
3. START	B - S - L

**SCHEMATIC - WIRING DIAGRAM Part No. 73417**  
(MODELS LT160H42HBV2, LT180H48HBV2 & WLT180H48HBV2)

## ILLUSTRATED DIAGRAM





## ***ELECTRICAL SCHEMATIC (LT160H42HBV2, LT180H48HBV2)***

---

<b>Item</b>	<b>Part No</b>	<b>Qty</b>	<b>Description</b>	<b>Note</b>
-	7073417	1	HARNESS, Main B&S 16 & 18HP V-Twin Electric Clutch	<i>used on LT160H42HBV2, LT180H48HBV2 &amp; WLT180H48HBV2</i>

**Footnotes:**





*Parts Manual for*

# **SNAPPER®**

## **LAWN TRACTORS ELECTRIC CLUTCH HYDRO DRIVE SERIES H & I**

IT IS THE POLICY OF SNAPPER TO IMPROVE ITS PRODUCTS  
WHENEVER IT IS POSSIBLE AND PRACTICAL TO DO SO. WE  
RESERVE THE RIGHT TO MAKE CHANGES OR ADD IMPROVEMENTS  
AT ANY TIME WITHOUT INCURRING ANY OBLIGATION TO MAKE  
SUCH CHANGES ON PRODUCTS MANUFACTURED PREVIOUSLY.

**SNAPPER®** McDonough, GA, 30253 U.S.A.