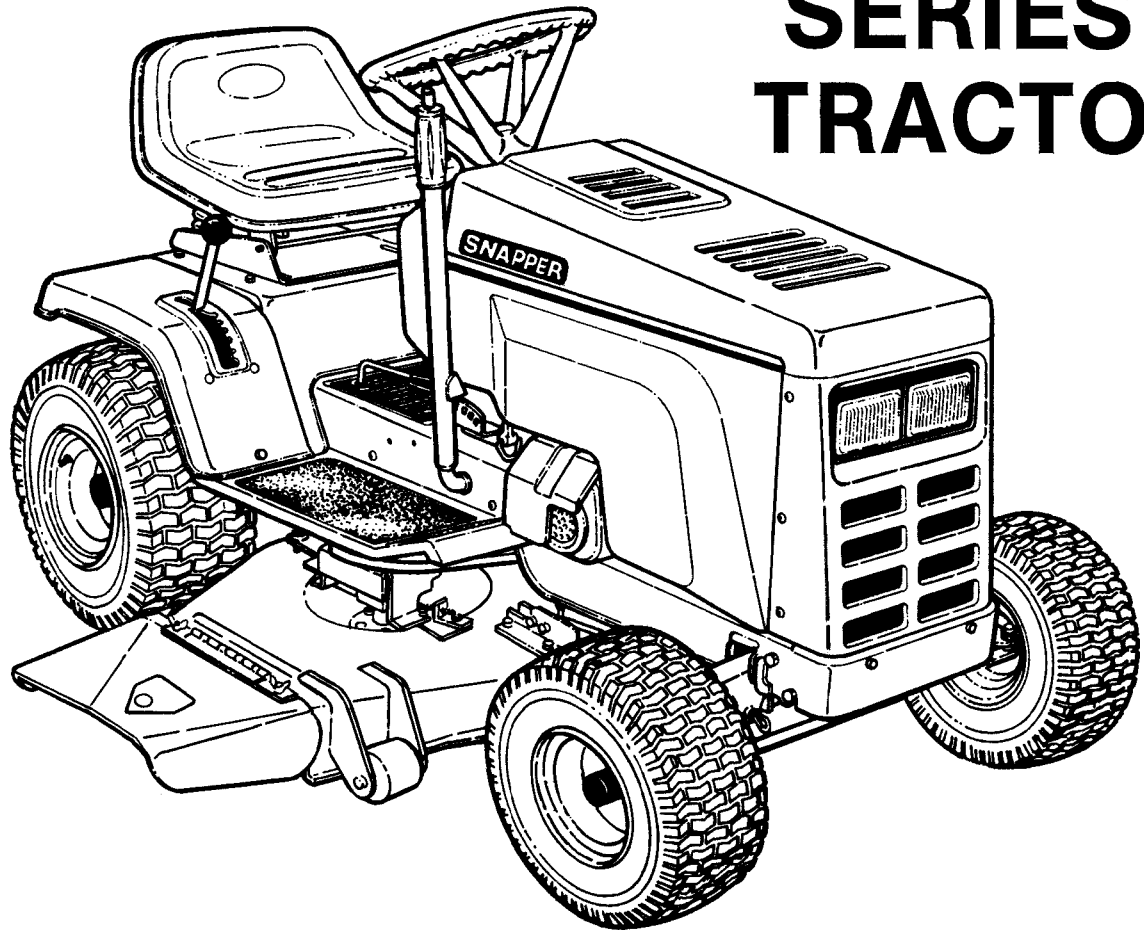


Parts Manual for

SNAPPER[®]

**LT12D 33 & LT12D 41
SERIES 0
TRACTOR**



SNAPPER®McDonough, GA., 30253 U.S.A.

REVISION 2, 10/96 ISSUE (Replaces Rev. 1, 5/91)

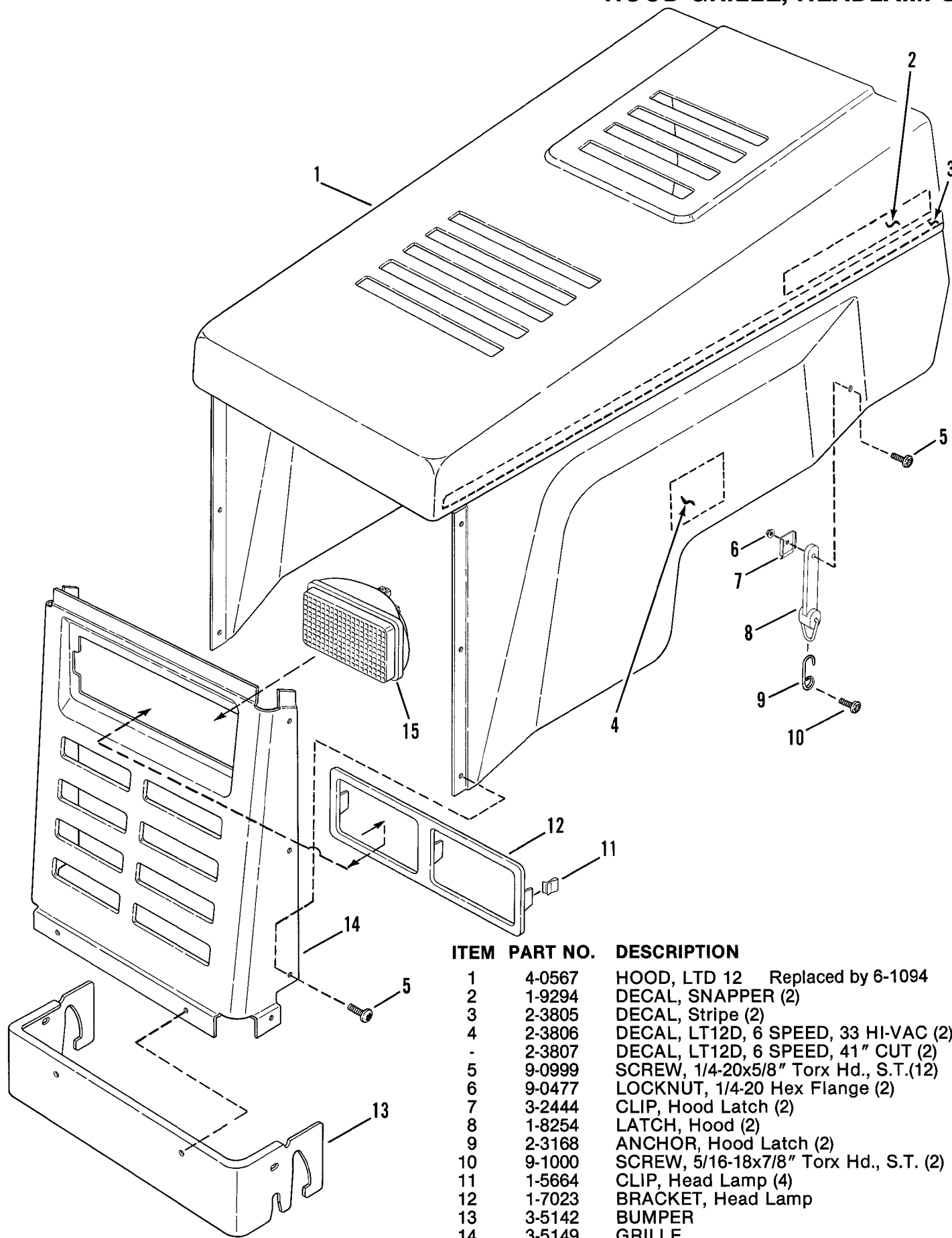
MANUAL NO. 06414

CONTENTS

| PAGE | GROUP |
|-------------|---------------------------------------|
| 3 | HOOD, GRILLE, HEADLAMPS |
| 4,5 | DASH PANEL, FUEL TANK, BATTERY |
| 6,7 | ENGINE, ENGINE BASE & DRIVE PARTS |
| 8,9 | STEERING & FRONT AXLE PARTS |
| 10,11 | SEAT, REAR FENDER |
| 12,13 | CLUTCH, BRAKE & TRANSMISSION CONTROLS |
| 14 | DISC DRIVE & CLUTCH YOKE |
| 15 | BLADE ENGAGEMENT |
| 16,17 | TRANSMISSION ASSEMBLY PARTS |
| 18,19 | CHAIN CASE & SMOOTH CLUTCH ASSEMBLY |
| 20,21 | TRANSMISSION SUPPORT & COMPONENTS |
| 22 | IMPLEMENT LIFT PARTS |
| 23 | ELECTRICAL SYSTEM |
| 24,25 | 33" CUTTING DECK, BELTS, BRAKES |
| 26,27 | 41" CUTTING DECK |
| 28 | BELT, BLADE BRAKE, 41" DECK |
| 29 | WHEELS-FRONT |
| 30 | WHEELS-REAR |

IT IS THE POLICY OF SNAPPER POWER EQUIPMENT TO IMPROVE ITS PRODUCTS WHENEVER IT IS POSSIBLE AND PRACTICAL TO DO SO. WE RESERVE THE RIGHT TO MAKE CHANGES OR ADD IMPROVEMENTS AT ANY TIME WITHOUT INCURRING ANY OBLIGATION TO MAKE SUCH CHANGES ON PRODUCTS MANUFACTURED PREVIOUSLY.

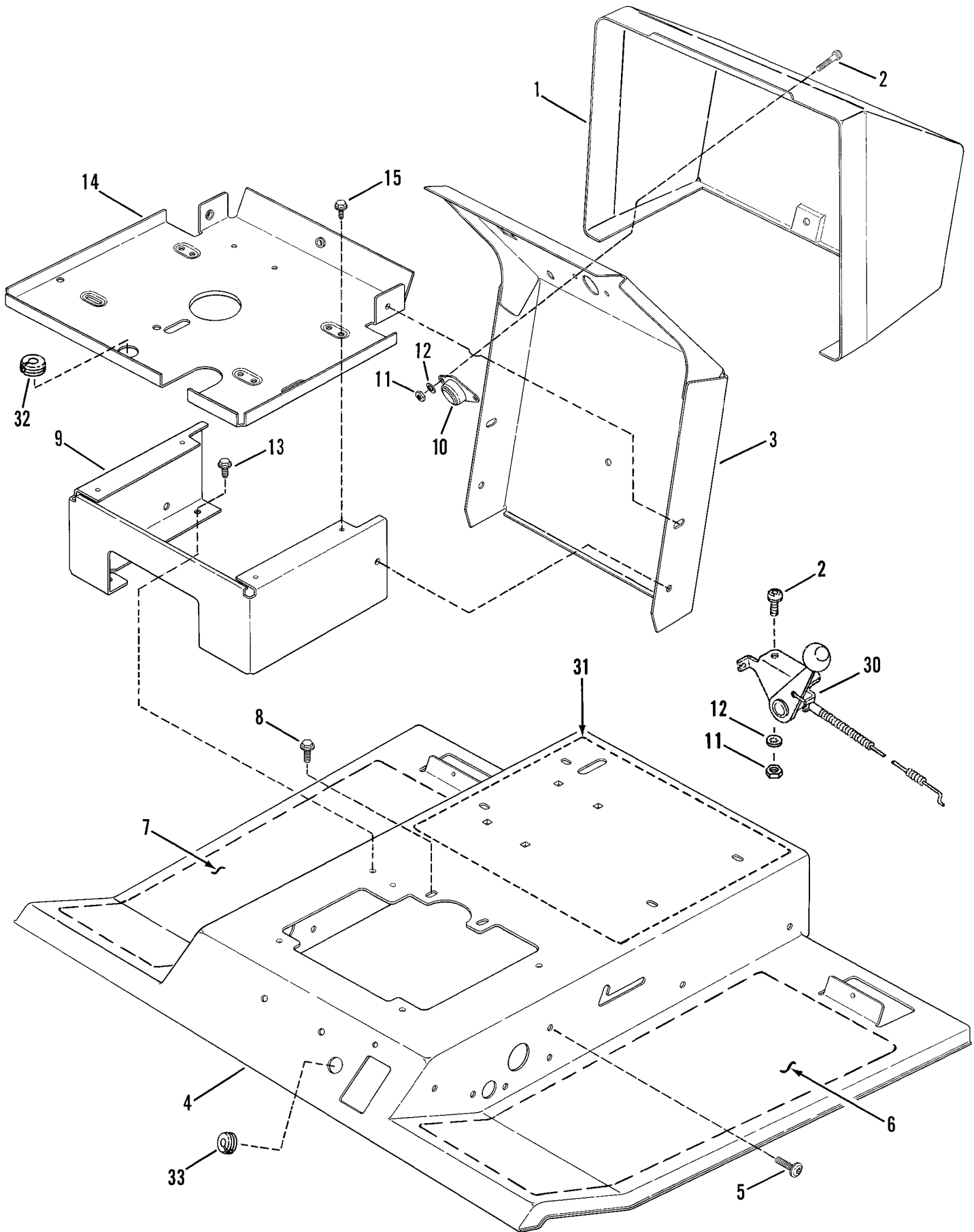
HOOD GRILLE, HEADLAMPS



| ITEM | PART NO. | DESCRIPTION |
|------|----------|--|
| 1 | 4-0567 | HOOD, LTD 12 Replaced by 6-1094 |
| 2 | 1-9294 | DECAL, SNAPPER (2) |
| 3 | 2-3805 | DECAL, Stripe (2) |
| 4 | 2-3806 | DECAL, LT12D, 6 SPEED, 33 HI-VAC (2) |
| - | 2-3807 | DECAL, LT12D, 6 SPEED, 41" CUT (2) |
| 5 | 9-0999 | SCREW, 1/4-20x5/8" Torx Hd., S.T.(12) |
| 6 | 9-0477 | LOCKNUT, 1/4-20 Hex Flange (2) |
| 7 | 3-2444 | CLIP, Hood Latch (2) |
| 8 | 1-8254 | LATCH, Hood (2) |
| 9 | 2-3168 | ANCHOR, Hood Latch (2) |
| 10 | 9-1000 | SCREW, 5/16-18x7/8" Torx Hd., S.T. (2) |
| 11 | 1-5664 | CLIP, Head Lamp (4) |
| 12 | 1-7023 | BRACKET, Head Lamp |
| 13 | 3-5142 | BUMPER |
| 14 | 3-5149 | GRILLE |
| 15 | 1-8829 | HEAD LAMP (2) |
| 16 | 2-3892 | TRIM, Hood, Rear |

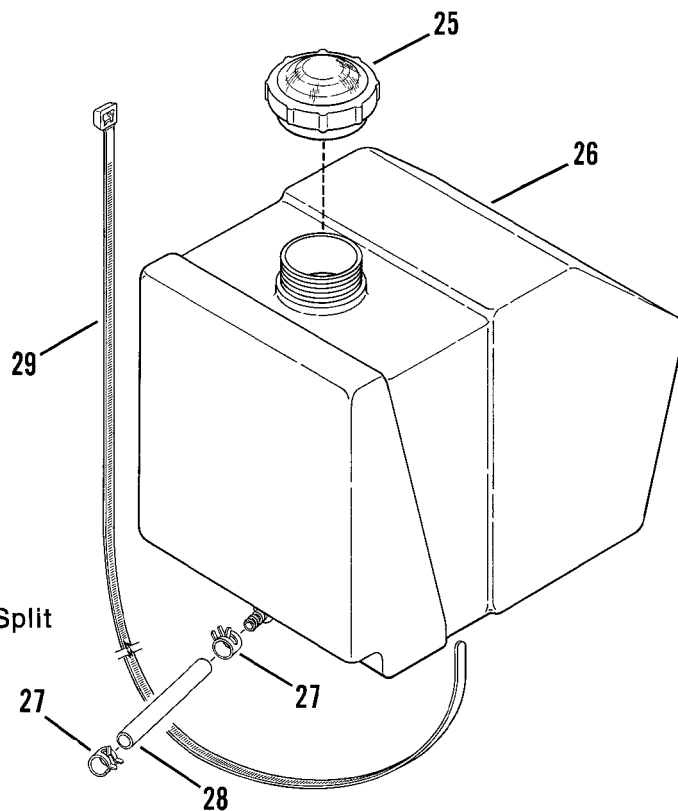
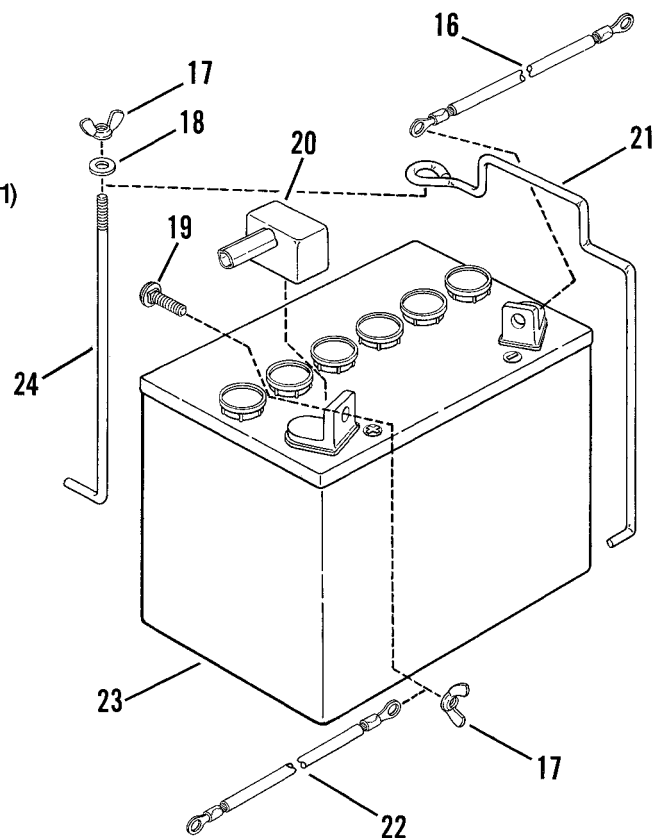
LT12D

DASH PANEL, FUEL TANK, BATTERY

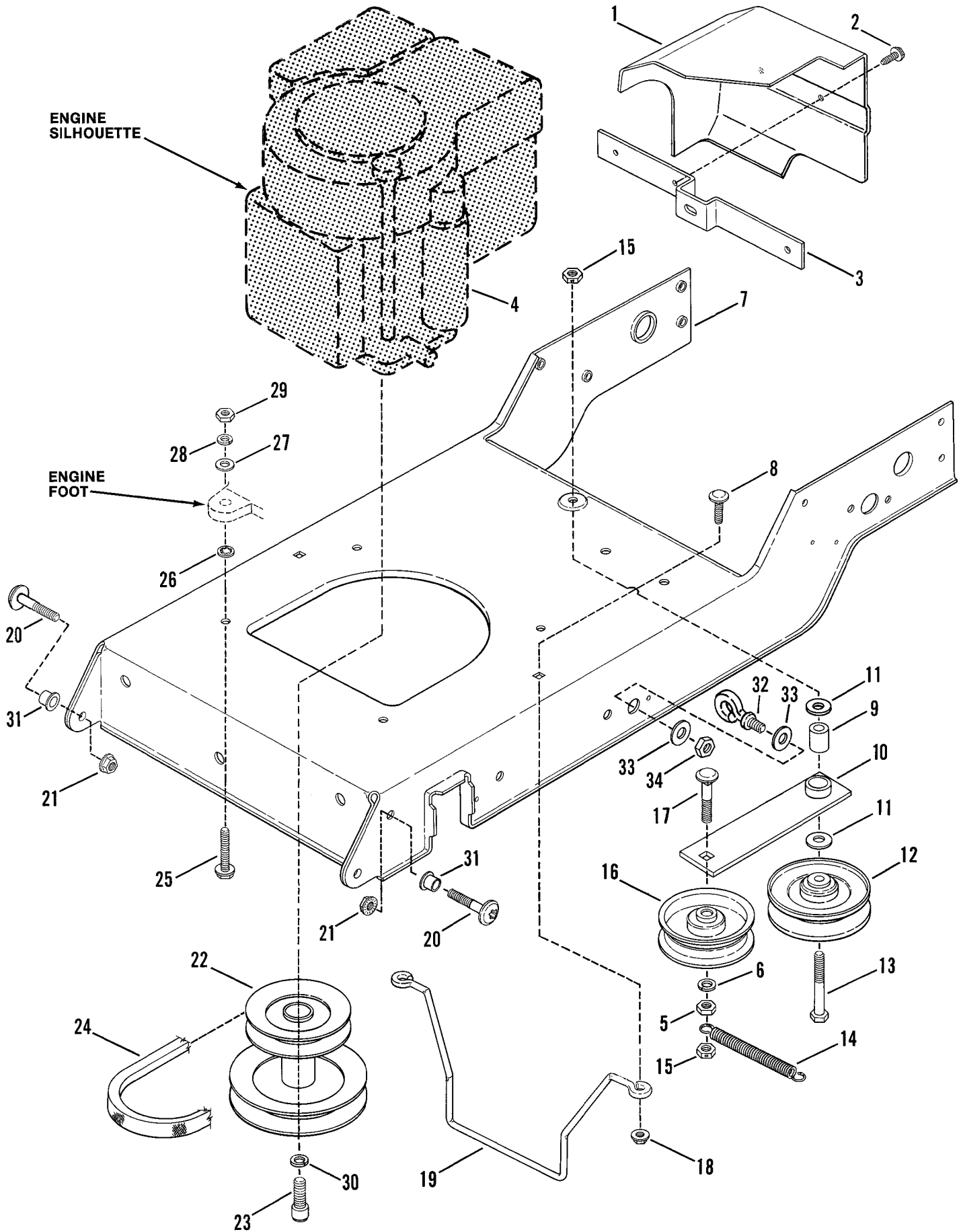


DASH PANEL, FUEL TANK, BATTERY

| ITEM | PART NO. | DESCRIPTION |
|------|----------|--|
| 1 | 5-7557 | PANEL, Dash |
| 2 | 9-0996 | SCREW, 1/4-20x1" Phillips (4) |
| 3 | 3-5137 | SUPPORT, Steering Shaft |
| 4 | 5-1915 | CHANNEL, Foot Rest (Includes Decal, item 31) |
| 5 | 9-1001 | SCREW, 5/16-18x5/8" Torx, S.T. (14) |
| 6 | 1-9047 | TREAD, Left Side (Non-Skid) |
| 7 | 1-9046 | TREAD, Right Side (Non-Skid) |
| 8 | 9-0361 | SCREW, 5/16-18x5/8" H.C.S.T. (2) |
| 9 | 3-3073 | MOUNT, Fuel Tank/Battery |
| 10 | 2-3173 | FLANGE ASSM'Y., Steering Shaft |
| 11 | 7-6978 | NUT, 1/4-20 Hex Lock (4) |
| 12 | 9-0053 | WASHER, 1/4 Internal Tooth Lock (4) |
| 13 | 9-0858 | SCREW, 5/16-18x1/2" Self-Tapping (4) |
| 14 | 3-5139 | PLATE, Fuel Tank & Battery Mount |
| 15 | 9-0539 | SCREW, 1/4-20x1/2" H.C.S.T. (4) |
| 16 | 1-4475 | CABLE, Negative Terminal |
| 17 | 9-0311 | WING-NUT, 1/4-20 (3) |
| 18 | 9-0055 | WASHER, 1/4 SAE |
| 19 | 9-0074 | BOLT, 1/4-20x3/4" Short Neck Carr. (2) |
| 20 | 1-2444 | COVER, Positive Terminal |
| 21 | 1-4434 | CLAMP, Battery |
| 22 | 1-4476 | CABLE, Positive Terminal |
| 23 | 1-9044 | BATTERY, 12V., 21 Amp Hour |
| 24 | 2-3194 | HOLD-DOWN, Battery |
| 25 | 1-4363 | CAP, Fuel Tank |
| 26 | 5-2258 | TANK, Fuel |
| 27 | 1-2222 | CLAMP, Fuel Line (2) |
| 28 | 3-2542 | LINE, Fuel (3" Long) |
| 29 | 2-3195 | CABLE-TIE, Fuel Tank Hold-Down |
| 30 | 1-9037 | CONTROL, Throttle |
| 31 | 1-7026 | DECAL, Caution & Instruction |
| 32 | 2-3166 | GROMMET, 11/16 I.D.x1-5/16" O.D. Split |
| 33 | 1-4856 | GROMMET, 5/16 I.D.x1" O.D. Split |



ENGINE, ENGINE BASE & DRIVE PARTS



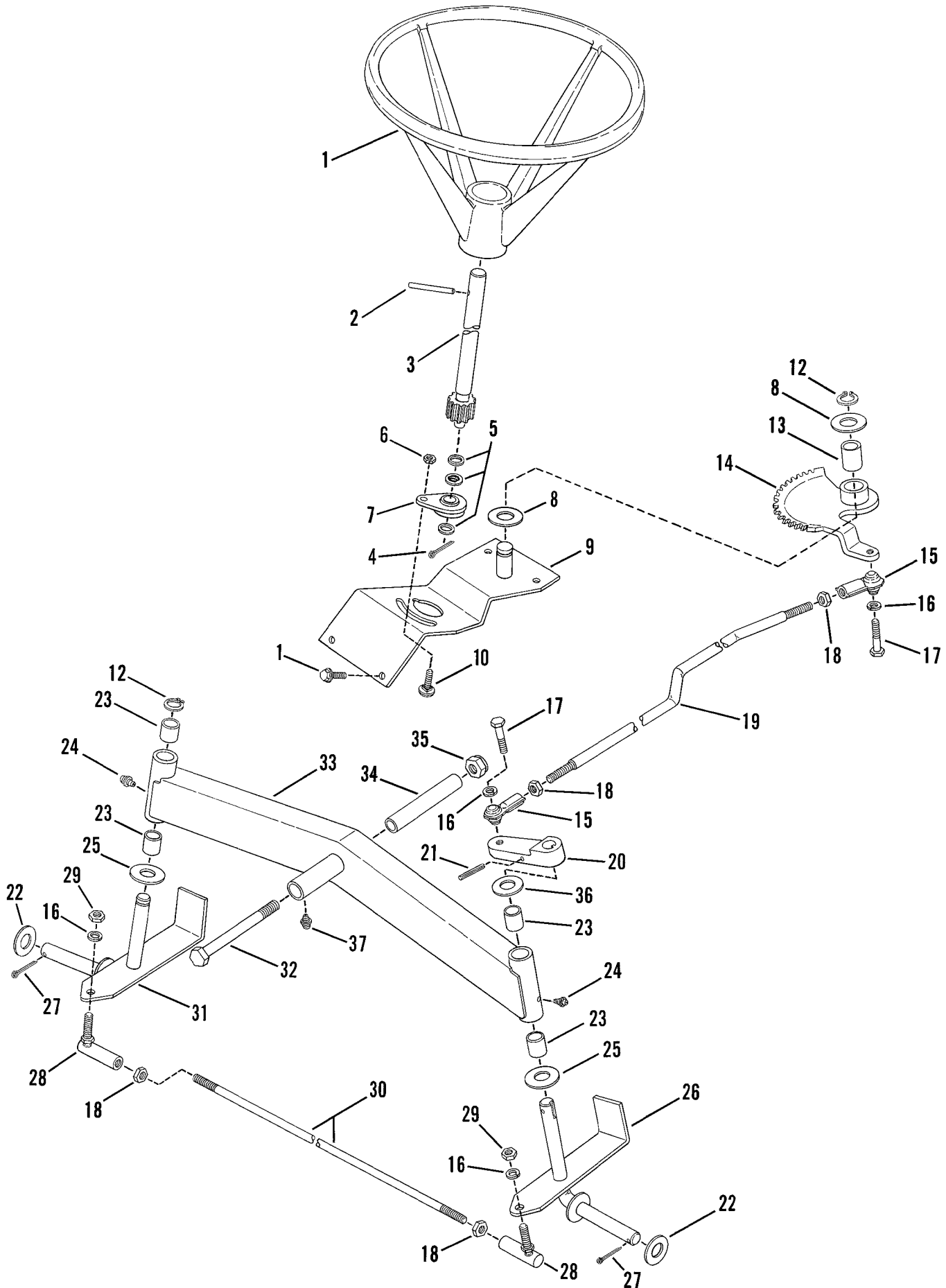
ENGINE, ENGINE BASE & DRIVE PARTS

| ITEM | PART NO. | DESCRIPTION |
|------|----------|--|
| 1 | 1-7022 | HEAT SHIELD |
| 2 | 9-0853 | SCREW, #10-24x1/2" H.W.S.T. (2) |
| 3 | 3-8374 | BRACKET, Heat Shield |
| 4 | * | ENGINE, Briggs & Stratton Model 280707, Type 0135-01 |
| 5 | 9-0130 | NUT, 3/8-16 Hex |
| 6 | 9-0118 | LOCKWASHER, 3/8 Split (2) |
| 7 | 3-5147 | BASE, Engine |
| 8 | 9-0788 | BOLT, 5/16-18x3/4" Short Neck Carriage (2) |
| 9 | 2-2062 | BUSHING, Idler |
| 10 | 4-0565 | ARM, Idler |
| 11 | 9-0600 | WASHER, 3/8 Flat (2) |
| 12 | 1-1029 | PULLEY, Idler, 4" O.D. |
| 13 | 9-0629 | BOLT, 3/8-16x2-1/4" Hex |
| 14 | 1-7807 | SPRING, Idler Arm |
| 15 | 9-0546 | LOCKNUT, 3/8-16 Hex, Center Lock (2) |
| 16 | 2-3199 | PULLEY, Idler, 3-3/4" O.D. |
| 17 | 9-1008 | BOLT, 3/8-16x2-1/2" Short Neck Carriage |
| 18 | 9-0585 | LOCKNUT, 5/16-18 Hex Flange (2) |
| 19 | 1-9042 | GUIDE, Belt |
| 20 | 2-3198 | SCREW, Shoulder, 3/8-16x1-5/8" (2) |
| 21 | 9-0613 | LOCKNUT, 3/8-16 Hex Flange (2) |
| 22 | 1-9036 | PULLEY ASSEMBLY, Engine |
| 23 | 9-0836 | CAPSCREW, 7/16-20 Hex Socket Head |
| 24 | 2-3184 | V-Belt, Traction Drive, LT12D 41 (Before Serial No. 05003133 Only)** |
| - | 2-3626 | V-Belt, Traction Drive, all LT12D 33 (& LT12D41 Serial No. 05003133 & Later)** |
| 25 | 9-0211 | SCREW, 5/16-18x1-1/2" Hex Head Cap (4) |
| 26 | 1-1791 | RETAINER, Bolt (4) |
| 27 | 9-0188 | WASHER, 5/16 Flat (4) |
| 28 | 9-0187 | LOCKWASHER, 5/16 Split (4) |
| 29 | 9-0196 | NUT, 5/16-18 Hex (4) |
| 30 | 9-0247 | LOCKWASHER, 7/16" Split |
| 31 | 1-2306 | BUSHING (2) |
| 32 | 1-4438 | EYE-BOLT |
| 33 | 1-3848 | WASHER, Flat (2) |
| 34 | 9-0184 | LOCKNUT, 5/16-18 Hex |

** (NOTES ADDED, 5/90)

*** Purchase engine parts, other than those listed, from Briggs & Stratton Service outlet.**

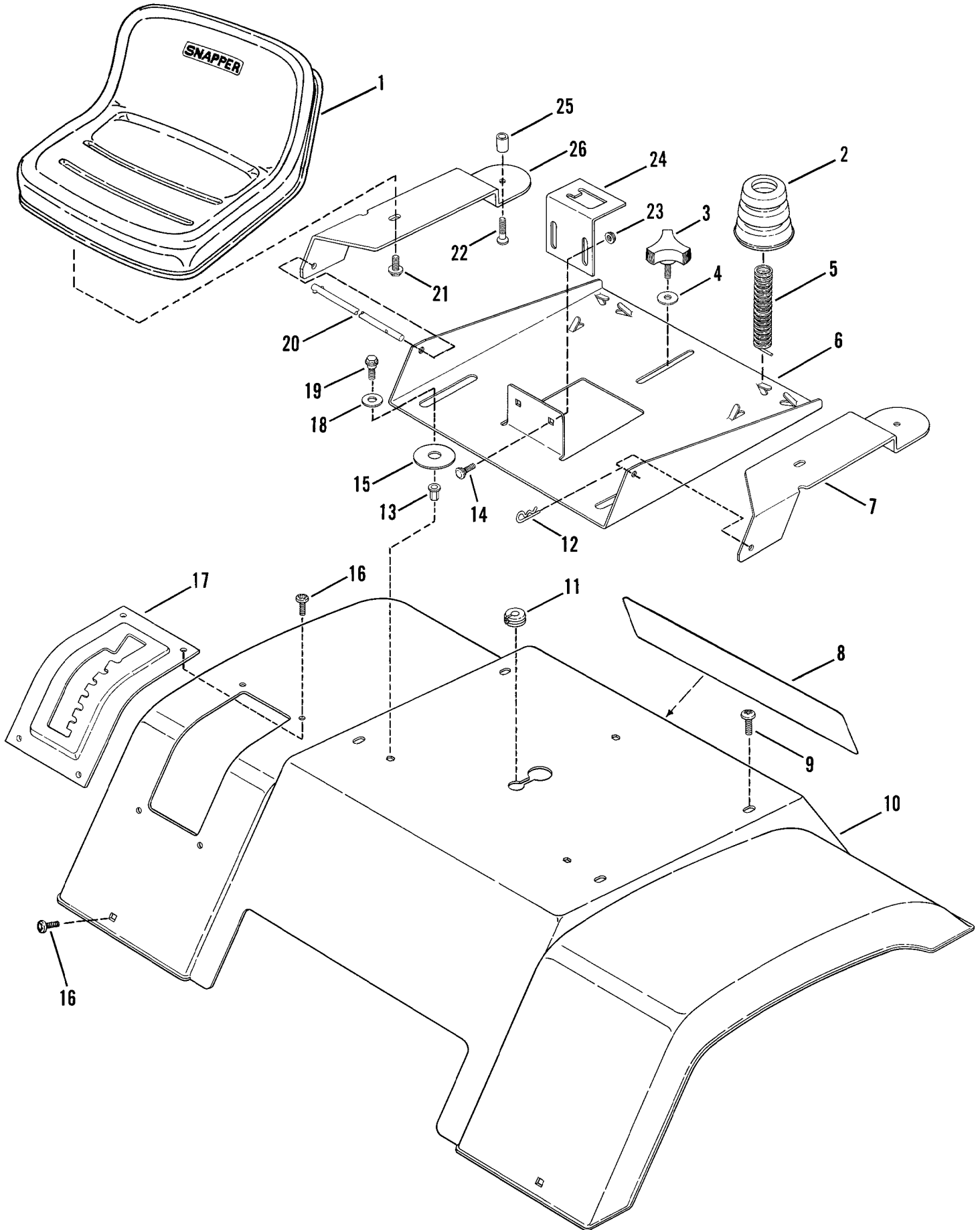
STEERING & FRONT AXLE PARTS



STEERING & FRONT AXLE PARTS

| ITEM | PART NO. | DESCRIPTION |
|------|----------|--|
| 1 | 1-7040 | STEERING WHEEL |
| 2 | 1-4437 | ROLL-PIN |
| 3 | 4-0610 | SHAFT, Steering |
| 4 | 9-0038 | PIN, Cotter 3/23X1.0 |
| 5 | 1-4296 | WASHER, Shim (3) |
| 6 | 9-0583 | LOCKNUT, 1/4-20 Hex Flange |
| 7 | 5-1751 | ADJUSTER, Steering |
| 8 | 1-1071 | WASHER, Thrust (2) |
| 9 | 4-7938 | ASSEMBLY, Steering Support |
| 10 | 9-0551 | BOLT, 1/4-20x5/8" Short Neck Carriage |
| 11 | 9-0361 | SCREW, 5/16-18x5/8" Self-Tapping (4) |
| 12 | 1-0746 | RING, Retaining |
| 13 | 1-5140 | BEARING |
| 14 | 5-1752 | ASSEMBLY, Sector |
| 15 | 2-3200 | ROD-END, Drag Link (2) |
| 16 | 9-0118 | LOCKWASHER, 3/8 Split |
| 17 | 9-0163 | SCREW, 3/8-24x1-1/4" Hex Head Cap |
| 18 | 9-0482 | JAM-NUT, 3/8-24 Hex (4) |
| 19 | 1-6062 | DRAG-LINK |
| 20 | 1-9034 | ARM, Steering |
| 21 | 9-0842 | ROLL-PIN |
| 22 | 3-2027 | WASHER, Flat (3) |
| 23 | 1-2706 | BEARING, Sleeve (4) |
| 24 | 1-3864 | FITTING, Lube (2) |
| 25 | 3-1036 | WASHER, Thrust |
| 26 | 4-9768 | SPINDLE ASSEMBLY, L.H. |
| 27 | 9-0364 | COTTER-PIN (2) |
| 28 | 1-0745 | BALL-JOINT (2) |
| 29 | 9-0155 | NUT, 3/8-24 Hex (2) |
| 30 | 2-3210 | TIE-ROD |
| 31 | 4-9767 | SPINDLE ASSEMBLY, R.H. |
| 32 | 9-0993 | SCREW, 1/2-20x4-1/2" Hex Head Cap |
| 33 | 5-7536 | ASSEMBLY, Front Axle (Includes four item 25, two item 26, one item 39) |
| 34 | 2-2070 | SPACER, Axle Pivot |
| 35 | 9-0819 | LOCKNUT, 1/2-20 Hex |
| 36 | 1-0935 | WASHER |
| 37 | 1-4871 | FITTING, Lube |

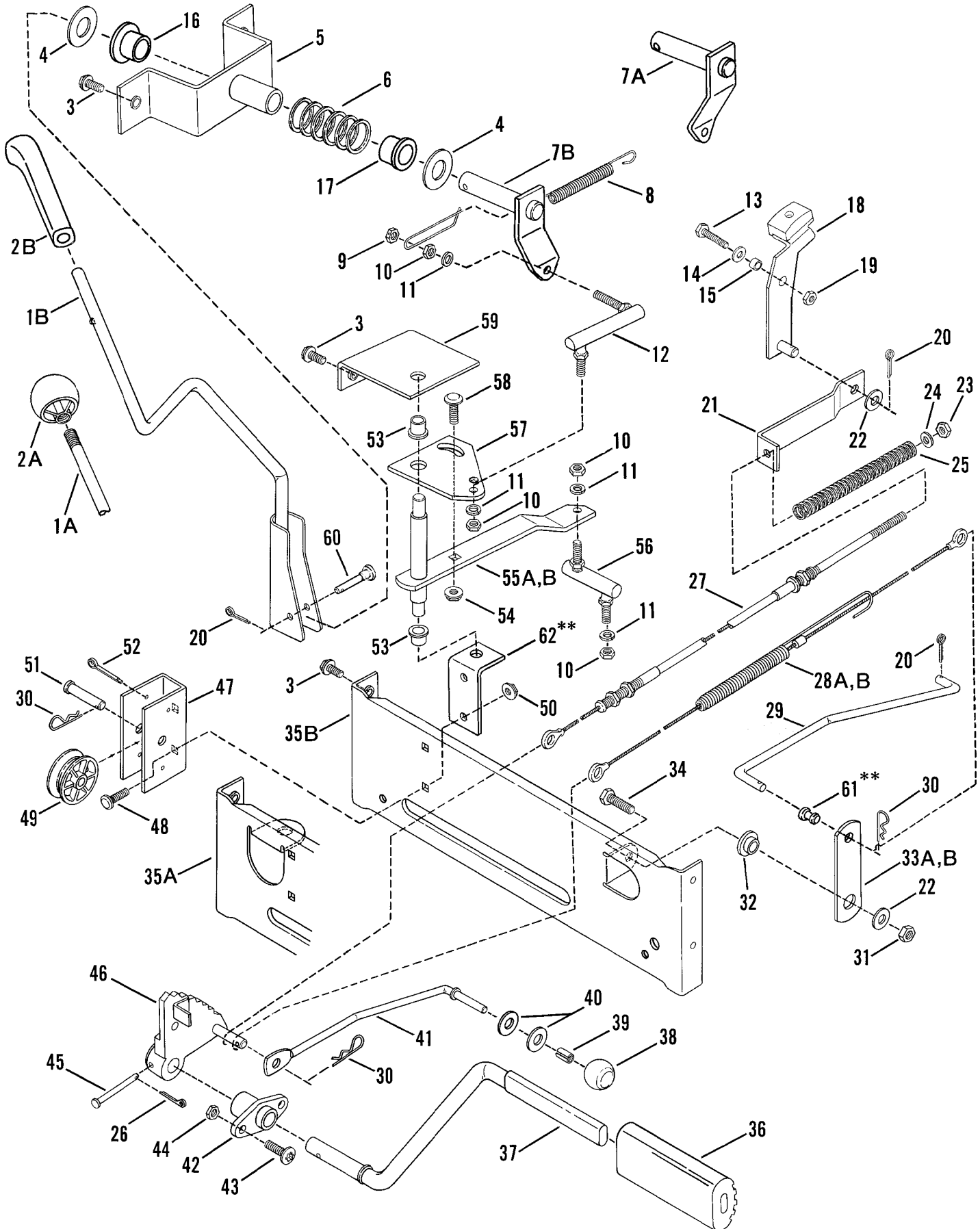
SEAT, REAR FENDER



SEAT, REAR FENDER

| ITEM | PART NO. | DESCRIPTION |
|------|----------|---|
| 1 | 1-6082 | SEAT, Operator's |
| 2 | 1-9109 | CUSHION, Seat (2) |
| 3 | 2-3191 | KNOB, Seat Adjustment |
| 4 | 1-1763 | WASHER |
| 5 | 2-3190 | SPRING (2) |
| 6 | 3-6253 | SUPPORT, Seat |
| 7 | 3-8536 | BRACKET, Seat Support, L.H. |
| 8 | 1-9279 | DECAL, SNAPPER |
| 9 | 9-1000 | SCREW, 5/16-18x7/8" Torx. Hd., S.T. (4) |
| 10 | 3-5145 | FENDER, Rear |
| 11 | 1-4856 | GROMMET, 5/16 I.D.x1" O.D. Split |
| 12 | 1-2431 | PIN, Hair |
| 13 | 2-3193 | RIV-NUT, 5/16-18 (3) |
| 14 | 9-0605 | BOLT, 5/16-18x5/8" Short Neck Carriage (2) |
| 15 | 3-2692 | SPACER (2) |
| 16 | 9-0999 | SCREW, 1/4-20x5/8" Torx Hd., Self-Tapping (6) |
| 17 | 3-6251 | DETENT, Shift |
| 18 | 2-3192 | WASHER (2) |
| 19 | 1-5761 | SCREW, Shoulder, 5/16-18x3/4" (2) |
| 20 | 1-9035 | ROD, Seat Hinge |
| 21 | 9-0721 | BOLT, 5/16-18x1/2" Hex Flange Lock (2) |
| 22 | 7-7683 | SCREW, 5/16cx1" Flat Hd. Hex Recess (2) |
| 23 | 9-0585 | NUT, 5/16-18 Hex Flange Lock (2) |
| 24 | 3-2732 | BRACKET, Switch |
| 25 | 2-3478 | SPACER, (2) |
| 26 | 3-8537 | BRACKET, Seat Support, R.H. |

CLUTCH, BRAKE & TRANSMISSION CONTROLS



CLUTCH, BRAKE & TRANSMISSION CONTROLS

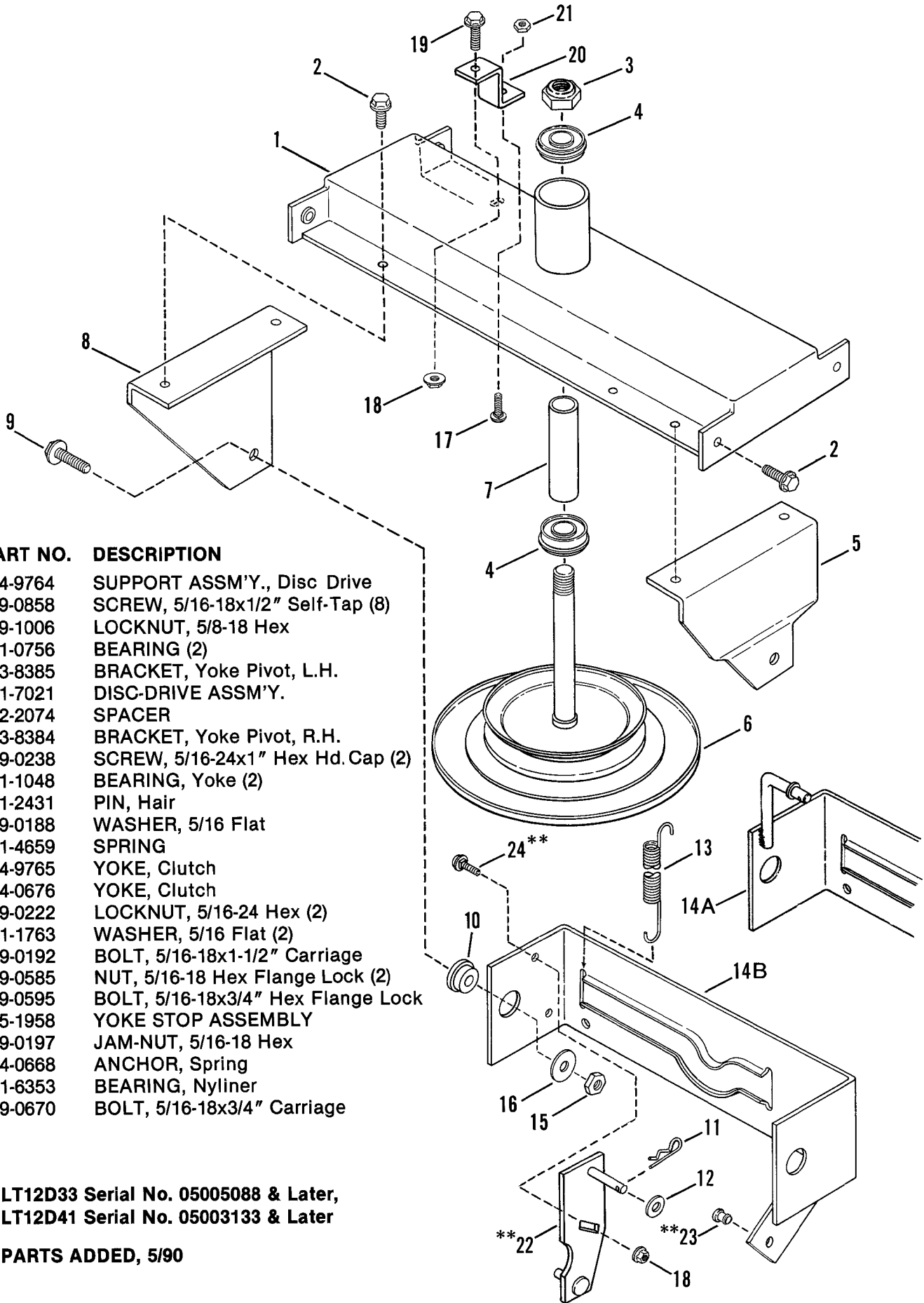
| ITEM | PART NO. | DESCRIPTION | ITEM | PART NO. | DESCRIPTION |
|------|----------|--|------|----------|---|
| 1A | 4-7936 | SHIFTER, Transmission (Threaded) | 31 | 9-0289 | LOCKNUT, 3/8-24 Hex |
| 1B | *4-0673 | SHIFTER, Transmission | 32 | 1-4314 | SPACER |
| 2A | 1-4766 | KNOB, Shifter (Round) | 33A | 3-2708 | ARM, Pivot |
| 2B | *2-3656 | KNOB, Shifter (Elongated) | 33B | *3-2932 | ARM, Pivot |
| 3 | 9-0858 | SCREW, 5/16-18x1/2" Self-Tapping (4) | 34 | 9-0160 | SCREW, 3/8-24x1" Hex Hd. Cap |
| 4 | 3-1036 | WASHER, Thrust (2) | 35A | 3-8373 | BRACE |
| 5 | 4-7937 | PIVOT, Shifter | 35B | *3-2926 | BRACE |
| 6 | 1-4442 | SPRING, Shift Detent | 36 | 1-2661 | PAD, Petal |
| 7A | 4-0566 | ARM, Shifter | 37 | 1-7024 | PEDAL, Clutch/Brake |
| 7B | *4-0670 | ARM, Shifter | 38 | 2-3188 | KNOB, Latch |
| 8 | 1-9031 | SPRING | 39 | 2-3189 | RING, Tolerance |
| 9 | 9-0222 | LOCKNUT, 5/16-24 Hex | 40 | 2-3649 | WASHER (2) |
| 10 | 9-0223 | NUT, 5/16-24 Hex (4) | 41 | 1-9033 | LATCH, Clutch/Brake |
| 11 | 9-0187 | LOCKWASHER, 5/16 Split (4) | 42 | 2-3170 | PIVOT, Clutch/Brake Pedal |
| 12 | 2-3179 | LINK, Shift | 43 | 9-1000 | SCREW, 5/16-18x7/8" Torx (2) |
| 13 | 9-0535 | SCREW, 1/4-28x1" Hex Hd. Cap | 44 | 9-0196 | NUT, 5/16-18 Hex (2) |
| 14 | 9-0055 | WASHER, 1/4 SAE Flat | 45 | 2-3645 | PIN, Clevis, 3/16x1-1/2" |
| 15 | 1-0916 | SPACER | 46 | 4-0564 | BRACKET, Pedal Pivot |
| 16 | 1-9245 | BUSHING, 3/4-1.62 Flange | 47 | 3-2694 | BRACKET, Spool |
| 17 | 1-9246 | BUSHING, 3/4-1.0 Flange | 48 | 9-0074 | BOLT, 1/4-20x3/4" Short Neck Carriage (2) |
| 18 | 5-7534 | LEVER, Brake Assm'y. (Includes items 16,17 & 20) | 49 | 2-3182 | SPOOL, Bracket |
| 19 | 9-0303 | LOCKNUT, 1/4-28 Hex | 50 | 9-0583 | LOCKNUT, 1/4-20 Hex Flange |
| 20 | 9-0037 | COTTER-PIN, 3/32x3/4" (2) | 51 | 1-2715 | PIN, Clevis, 3/8x1-9/32" |
| 21 | 3-2701 | LINK, Brake | 52 | 9-0042 | COTTER-PIN, 1/8x1-1/4" |
| 22 | 9-0122 | WASHER, 3/8 SAE Flat | 53 | 1-1016 | BEARING (2) |
| 23 | 9-0184 | LOCKNUT, 5/16-18 Hex | 54 | 9-0585 | LOCKNUT, 5/16-18 Hex Flange |
| 24 | 9-0188 | WASHER, 5/16 SAE Flat | 55A | 4-7939 | LEVER, Shift |
| 25 | 2-3177 | SPRING, Brake Link | 55B | *4-0667 | LEVER, Shift |
| 26 | 9-0038 | COTTER-PIN, 3/32x1" | 56 | 1-1018 | LINK, Shift |
| 27 | 1-9038 | CABLE, Brake | 57 | 3-2709 | LEVER, Shift Adjuster |
| 28A | 1-9039 | CABLE, Clutch (22.5" Long) | 58 | 9-0670 | BOLT, 5/16-18x3/4" Carriage |
| 28B | *1-9170 | CABLE, Clutch (23.5" Long) | 59 | 3-2710 | BRACKET, Shift |
| 29 | 1-9032 | ROD, Clutch | 60 | 2-3914 | PIN, Clevis, 1/4x5/8" |
| 30 | 1-2431 | PIN, Hair (3) | 61 | **1-6353 | BEARING, Nyliner |
| | | | 62 | **3-2925 | BRACKET, Pivot |

*LT12D33 Serial No. 05005088 & Later, LT12D41 Serial No. 05003133 & Later

**PARTS ADDED, 5/90

***6-1000 Reverse Assist Kit (not shown)(includes 3-2920 Link)

DISC DRIVE & CLUTCH YOKE

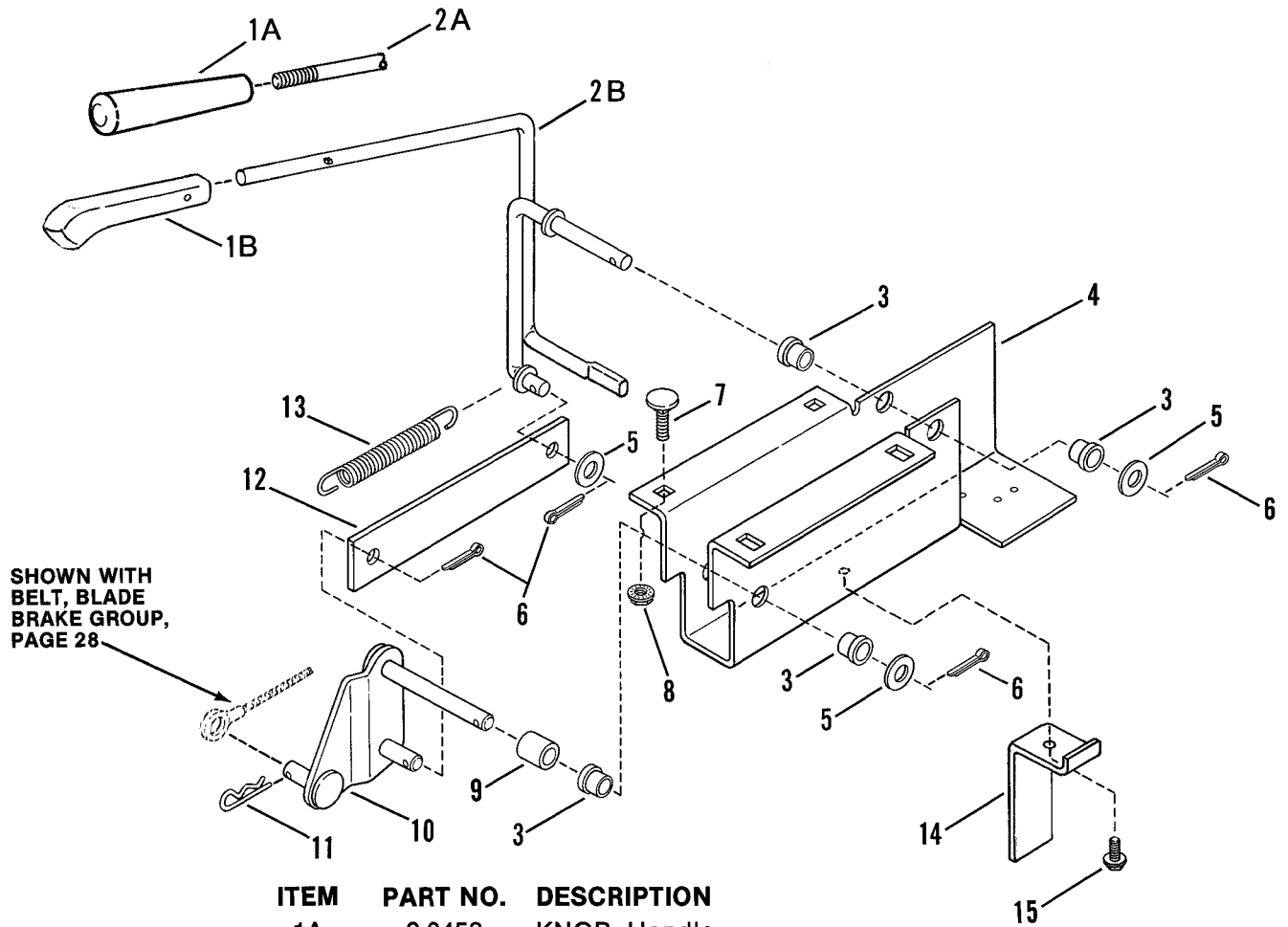


| ITEM | PART NO. | DESCRIPTION |
|------|----------|------------------------------------|
| 1 | 4-9764 | SUPPORT ASSM'Y., Disc Drive |
| 2 | 9-0858 | SCREW, 5/16-18x1/2" Self-Tap (8) |
| 3 | 9-1006 | LOCKNUT, 5/8-18 Hex |
| 4 | 1-0756 | BEARING (2) |
| 5 | 3-8385 | BRACKET, Yoke Pivot, L.H. |
| 6 | 1-7021 | DISC-DRIVE ASSM'Y. |
| 7 | 2-2074 | SPACER |
| 8 | 3-8384 | BRACKET, Yoke Pivot, R.H. |
| 9 | 9-0238 | SCREW, 5/16-24x1" Hex Hd. Cap (2) |
| 10 | 1-1048 | BEARING, Yoke (2) |
| 11 | 1-2431 | PIN, Hair |
| 12 | 9-0188 | WASHER, 5/16 Flat |
| 13 | 1-4659 | SPRING |
| 14A | 4-9765 | YOKE, Clutch |
| 14B | *4-0676 | YOKE, Clutch |
| 15 | 9-0222 | LOCKNUT, 5/16-24 Hex (2) |
| 16 | 1-1763 | WASHER, 5/16 Flat (2) |
| 17 | 9-0192 | BOLT, 5/16-18x1-1/2" Carriage |
| 18 | 9-0585 | NUT, 5/16-18 Hex Flange Lock (2) |
| 19 | 9-0595 | BOLT, 5/16-18x3/4" Hex Flange Lock |
| 20 | 5-1958 | YOKE STOP ASSEMBLY |
| 21 | 9-0197 | JAM-NUT, 5/16-18 Hex |
| 22 | **4-0668 | ANCHOR, Spring |
| 23 | **1-6353 | BEARING, Nyliner |
| 24 | **9-0670 | BOLT, 5/16-18x3/4" Carriage |

* LT12D33 Serial No. 05005088 & Later,
LT12D41 Serial No. 05003133 & Later

** PARTS ADDED, 5/90

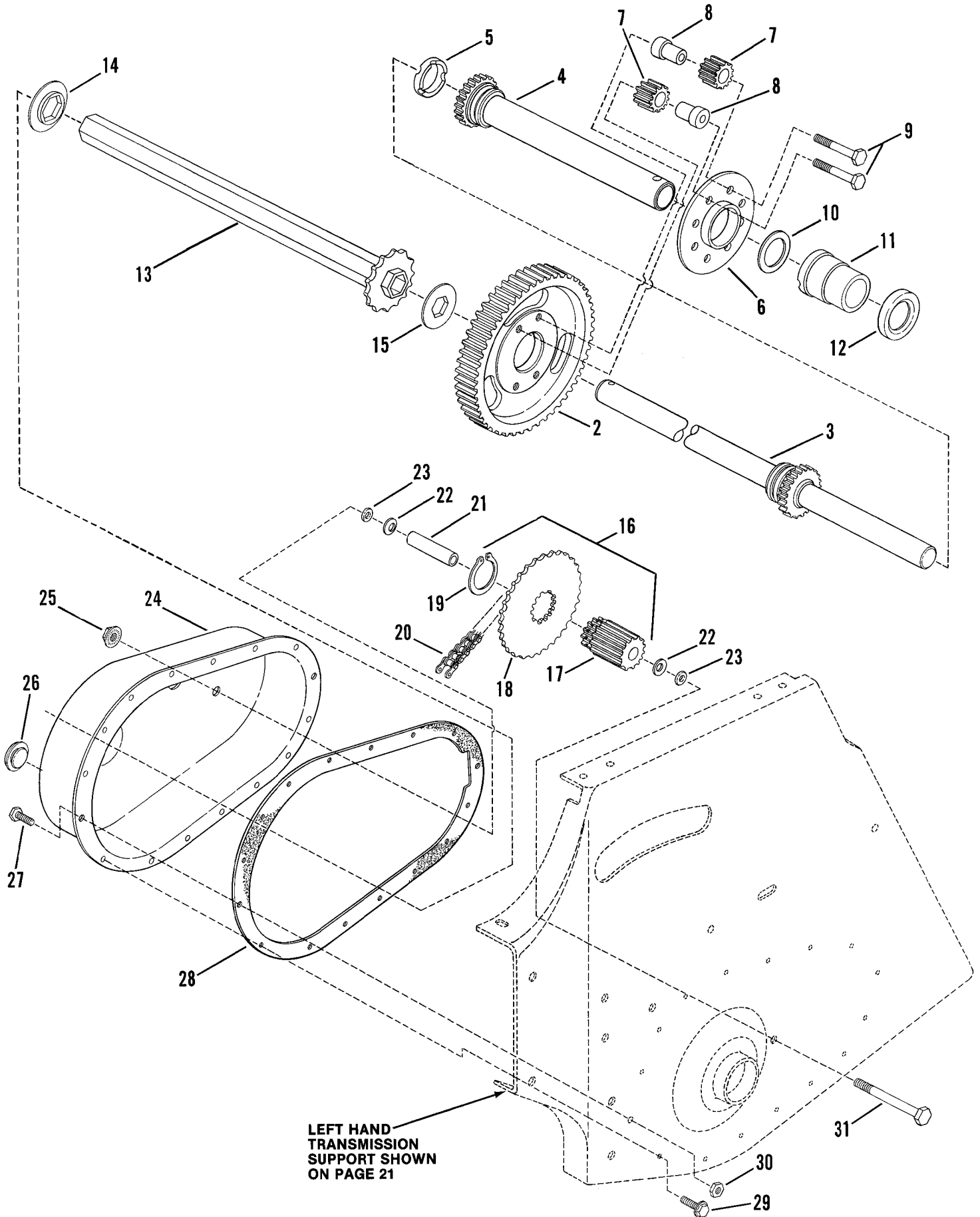
BLADE ENGAGEMENT



| ITEM | PART NO. | DESCRIPTION |
|------|----------|--|
| 1A | 2-3458 | KNOB, Handle |
| 1B | *1-6356 | KNOB, Handle |
| 2A | 4-0568 | HANDLE, Blade Engagement (Threaded) |
| 2B | *4-0674 | HANDLE, Blade Engagement |
| 3 | 1-3321 | BUSHING (4) |
| 4 | 3-6271 | BRACKET, Handle |
| 5 | 9-0122 | WASHER (3) |
| 6 | 9-0037 | COTTER-PIN, 3/32x3/4" Flat Head Carriage (4) |
| 7 | 9-0803 | BOLT, 1/4-20x5/8" Flat Head Carriage (4) |
| 8 | 9-0583 | LOCKNUT, 1/4-20 Hex Flange (4) |
| 9 | 2-3206 | SPACER |
| 10 | 4-0570 | PIVOT ARM ASSEMBLY |
| 11 | 1-2431 | PIN, Hair |
| 12 | 3-2712 | LINK |
| 13 | 2-3165 | SPRING, Return |
| 14 | 3-2841 | GUIDE, Belt |
| 15 | 9-0853 | SCREW, #10-24x1/2" H.W.H.S.T. |

* LT12D33 Serial No. 05005088 & Later, LT12D41 Serial No. 05003133 & Later

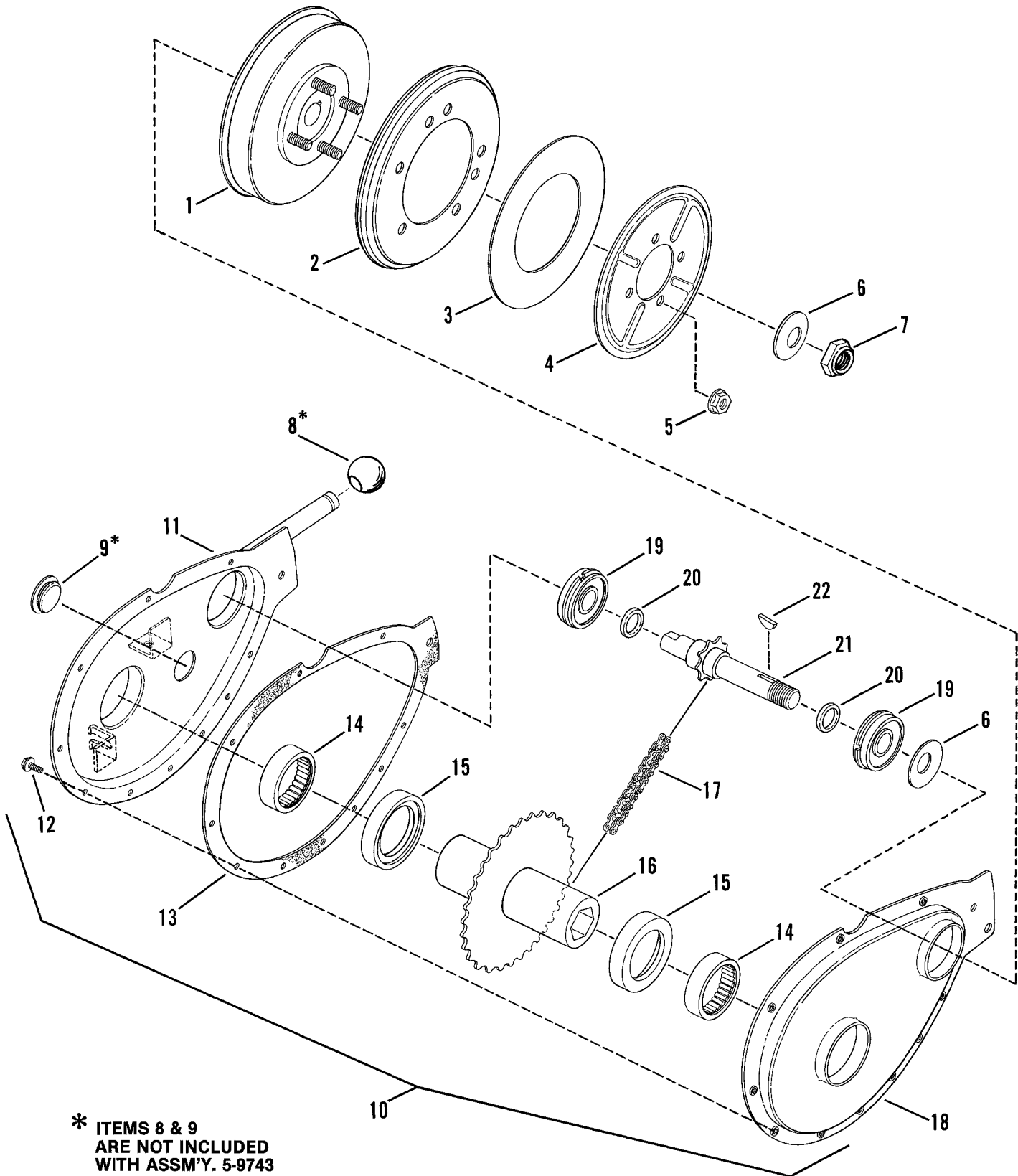
TRANSMISSION ASSEMBLY PARTS



TRANSMISSION ASSEMBLY PARTS

| ITEM | PART NO. | DESCRIPTION |
|------|----------|---|
| * | 5-9742 | ASSEMBLY, Differential (Includes items 2 thru 31) |
| 2 | 2-1158 | GEAR, 63 Teeth, 10 Pitch |
| 3 | 4-7935 | AXLE, Long (Includes Gear) |
| 4 | 5-7532 | AXLE, Short (Includes Gear & 2 Internal Bearings) |
| 5 | 1-1026 | SPACER |
| 6 | 3-8067 | PLATE, Differential |
| 7 | 2-1127 | PINION GEARS, Differential (4) |
| 8 | 2-1126 | SPACER, Pinion (4) |
| 9 | 1-2333 | BOLT, 5/16-24x1-5/8" Hex, Special Lock Cap (4) |
| 10 | 3-1079 | WASHER, Thrust |
| 11 | 1-2296 | BEARING, Axle, L.H. Transmission Support (Listed with L.H. Fender Assm'y. on Page 21) |
| 12 | 1-1817 | SEAL, Oil |
| 13 | 5-1584 | ASSEMBLY, Drive Hex Tube (Includes item 14) |
| 14 | 1-0988 | WASHER, Hex Insert |
| 15 | 1-1072 | WASHER, Thrust |
| 16 | 5-0257 | ASSEMBLY, Gear & Sprocket (Includes items 17, 18, & 19) |
| 17 | 1-0964 | GEAR, 11 Teeth, 10 Pitch |
| 18 | 2-1129 | SPROCKET |
| 19 | 1-0965 | RING, Retaining |
| 20 | 1-0941 | CHAIN, 46 Pitch (#35) |
| 21 | 2-1128 | SPACER |
| 22 | 1-1782 | WASHER, Belleville (2) |
| 23 | 1-1156 | O-RING, 5/16" (2) |
| 24 | 3-6257 | CASE, Transmission |
| 25 | 1-0969 | NUT, 5/16-24 Hex Flange Lock |
| 26 | 1-1024 | PLUG, Oil Fill & Check (2) |
| 27 | 9-0072 | SCREW, 1/4-20x5/8" Hex Head Cap (2) |
| 28 | 1-8060 | GASKET, Transmission Case |
| 29 | 9-0362 | SCREW, 1/4-20x5/8" Self-Tapping (14) |
| 30 | 9-0372 | NUT, 1/4-20 Hex Lock (2) |
| 31 | 1-1042 | BOLT, Idler, 5/16-24x2-5/8" |

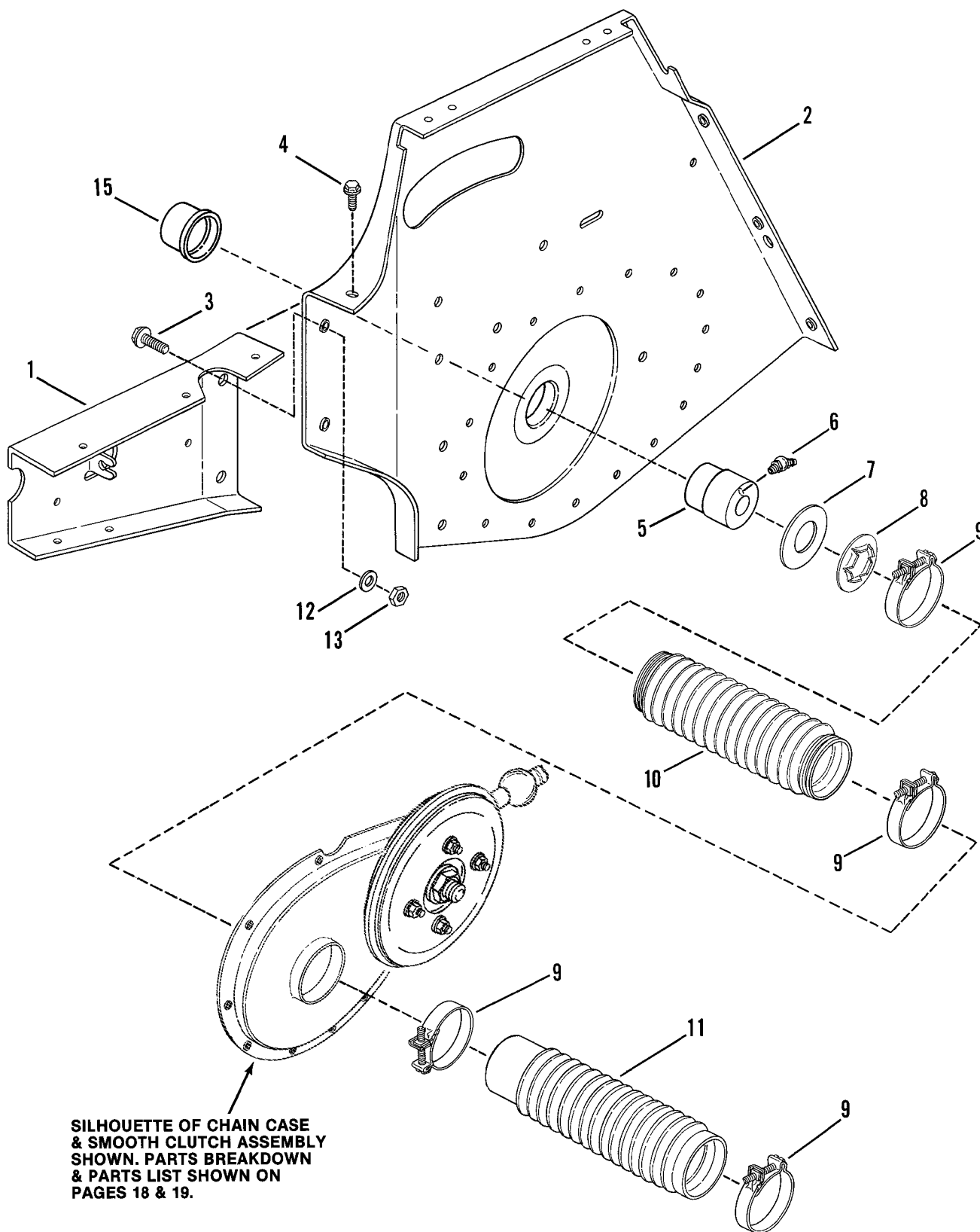
CHAIN CASE & SMOOTH CLUTCH ASSM'Y.



CHAIN CASE & SMOOTH CLUTCH ASSM'Y.

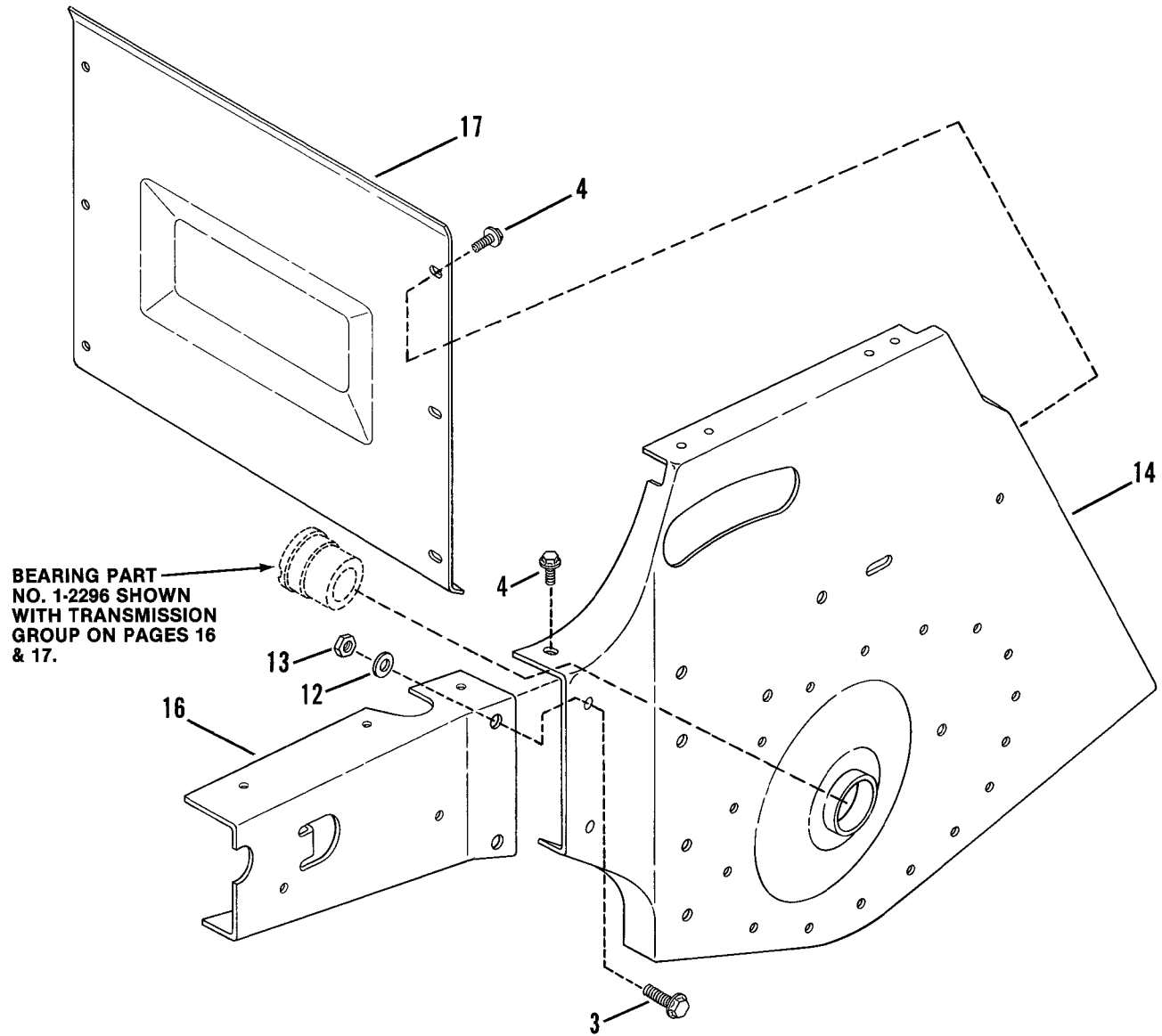
| ITEM | PART NO. | DESCRIPTION |
|------|----------|---|
| 1 | 5-7338 | HUB, Driven Disc |
| 2 | 5-7337 | DISC, Driven |
| 3 | 1-4523 | WASHER, Thrust |
| 4 | 3-2331 | PLATE |
| 5 | 9-0585 | NUT, 5/16-24 Hex Flange Lock (4) |
| 6 | 1-1121 | WASHER, Belleville (2) |
| 7 | 9-1006 | NUT, 5/8-18 Hex Lock |
| 8 | 1-4396 | BUSHING, Primary Clutch Ball |
| 9 | 1-1024 | PLUG, Oil Fill & Check |
| 10 | 5-9743 | ASSEMBLY, Chain Case (Includes items 11 thru 22 & 1 ea. item 6) |
| 11 | 4-7934 | CASE, Sprocket |
| 12 | 9-0307 | SCREW, #10-24x5/8" Self-Tapping (10) |
| 13 | 1-8059 | GASKET, Case Cover |
| 14 | 1-0942 | BEARING, Needle (2) |
| 15 | 1-1086 | WASHER, Nylon Thrust (2) |
| 16 | 4-0355 | HUB & SPROCKET |
| 17 | 1-0941 | CHAIN |
| 18 | 3-9778 | COVER, Chain Case |
| 19 | 1-0756 | BEARING, Ball (2) |
| 20 | 1-4508 | "O"-RING (2) |
| 21 | 1-0940 | SPROCKET & SHAFT |
| 22 | 1-0614 | KEY, Woodruff |

TRANSMISSION SUPPORT & COMPONENTS



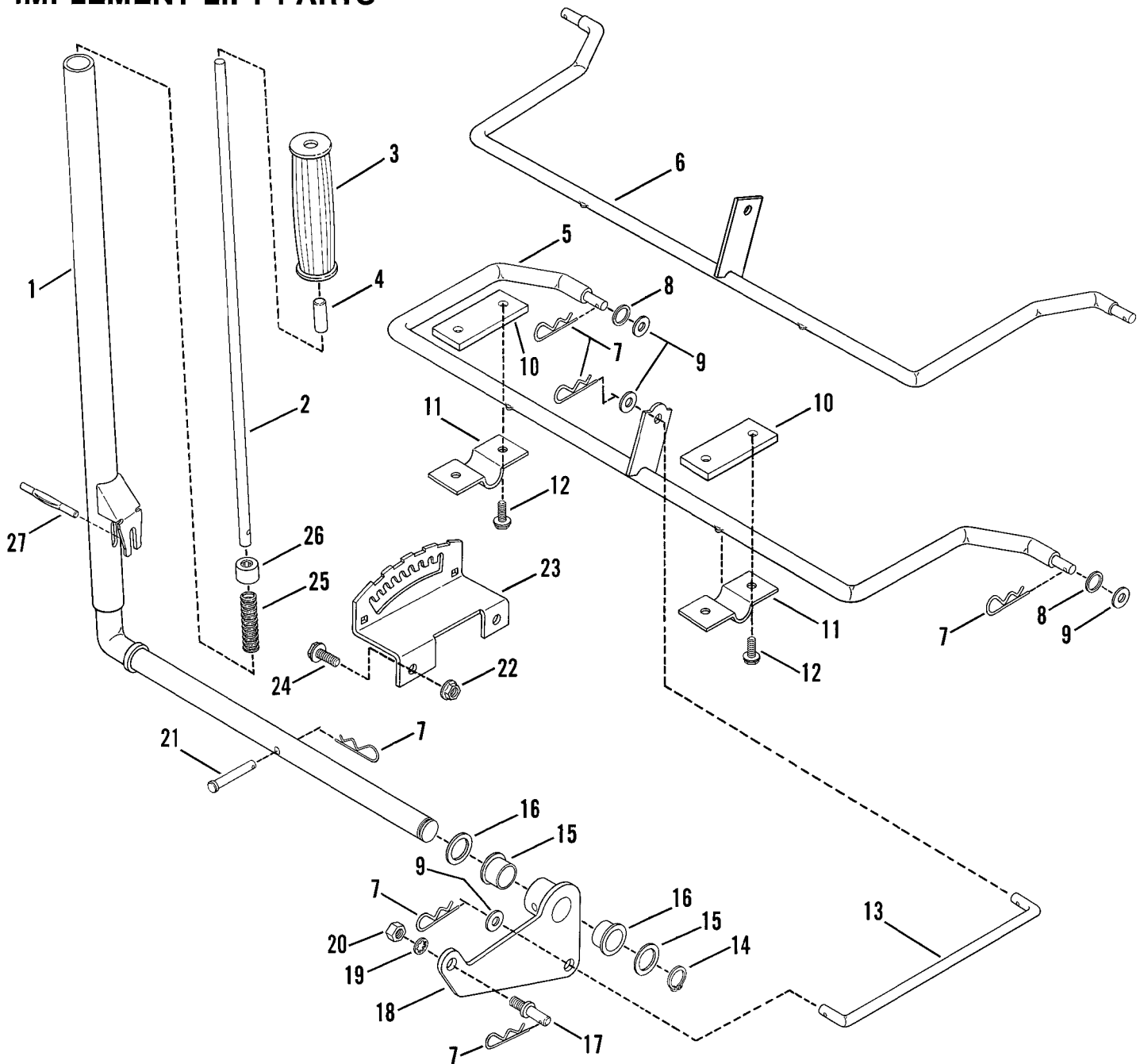
SILHOUETTE OF CHAIN CASE & SMOOTH CLUTCH ASSEMBLY SHOWN. PARTS BREAKDOWN & PARTS LIST SHOWN ON PAGES 18 & 19.

TRANSMISSION SUPPORT & COMPONENTS



| ITEM | PART NO. | DESCRIPTION |
|------|----------|--|
| 1 | 3-5180 | EXTENSION, Transmission Support, R.H. |
| 2 | 3-5144 | TRANSMISSION SUPPORT, R.H. |
| 3 | 9-0582 | BOLT, 3/8-16x1" Hex Flange Lock (4) |
| 4 | 9-0361 | SCREW, 5/16-18x5/8" Self-Tapping (8) |
| 5 | 5-1746 | BEARING ASSM'Y., Axle (Includes item 6) |
| 6 | 1-3324 | FITTING, Lube |
| 7 | 1-1071 | WASHER, Thrust |
| 8 | 1-1072 | WASHER, Thrust, Hex Drive Tube |
| 9 | 1-1037 | CLAMP, Boot (4) |
| 10 | 1-1011 | BOOT, Oil Seal |
| 11 | 1-9179 | BOOT, Oil Seal |
| 12 | 9-0122 | WASHER, 3/8 SAE (4) |
| 13 | 9-0546 | NUT, 3/8-16 Center Lock (4) |
| 14 | 5-1759 | TRANSMISSION SUPPORT, L.H. (Includes Bearing P.N. 1-2296 shown on Pages 16 & 17) |
| 15 | 1-0967 | DUST CAP, R.H. Transmission Support |
| 16 | 3-5179 | EXTENSION, Transmission Support, L.H. |
| 17 | 3-6252 | COVER, Rear |

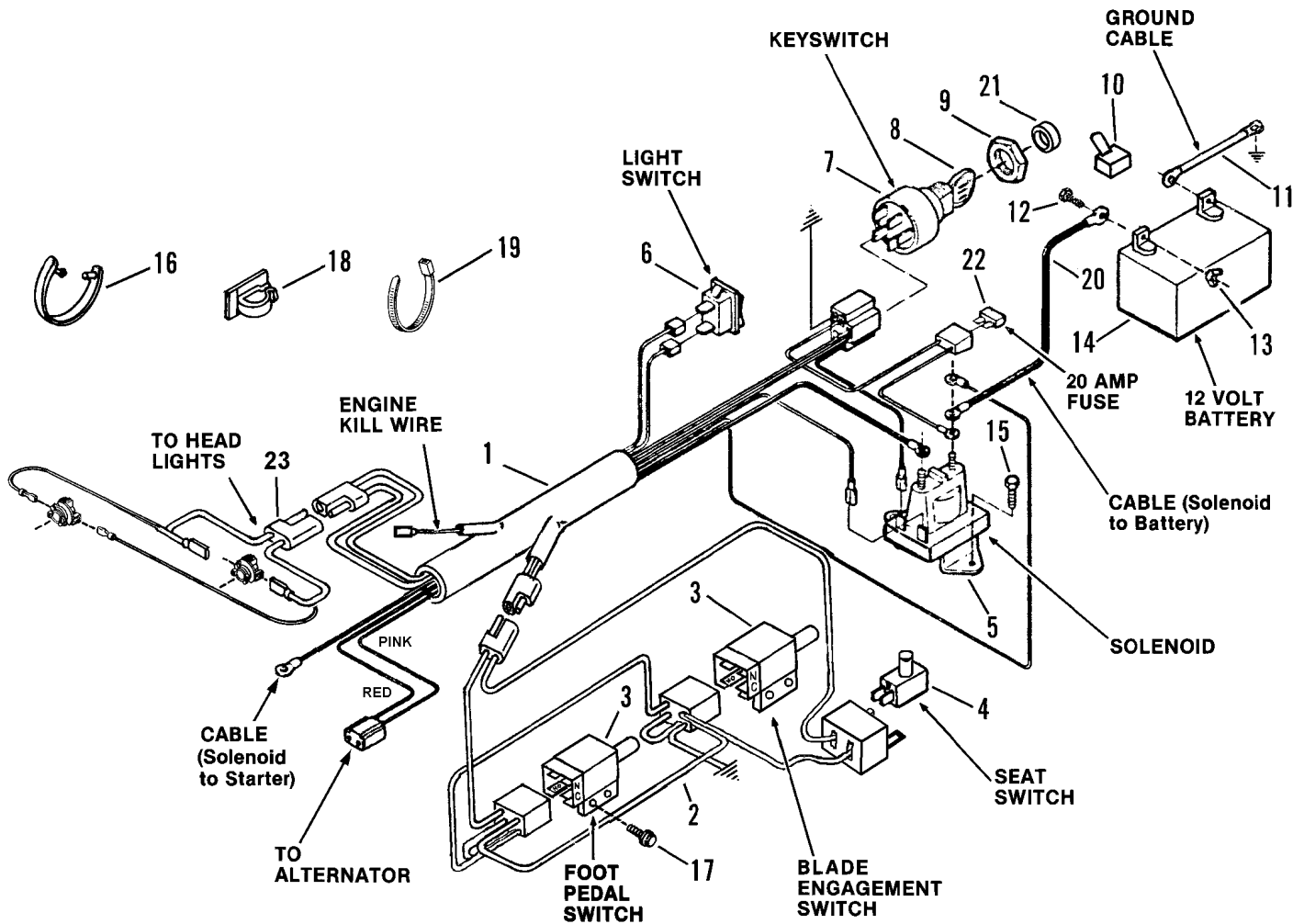
IMPLEMENT LIFT PARTS



| ITEM | PART NO. | DESCRIPTION |
|------|----------|--------------------------------|
| 1 | 4-9763 | ARM, Implement Lift Lever |
| 2 | 3-2435 | ROD, Lift Lever |
| 3 | 1-3948 | GRIP, Lift Lever |
| 4 | 1-4361 | CAP, Lift Release |
| 5 | 4-9761 | ARM, Rear Lift (41" Deck Only) |
| 6 | 4-7967 | ARM, Rear Lift (33" Deck Only) |
| 7 | 1-5067 | PIN, Hair, 3/32x1-1/2" (6) |
| 8 | 1-0690 | WASHER, Shim (2) |
| 9 | 9-0122 | WASHER, 3/8 SAE Flat (4) |
| 10 | 3-2789 | SPACER (2)(33" Deck Only) |
| 11 | 3-2698 | BRACKET, Arm (2) |
| 12 | 9-0361 | SCREW, 5/16-18x5/8" (4) |
| 13 | 2-3171 | LIFT-ROD |
| 14 | 1-5020 | RING, Retaining |

| ITEM | PART NO. | DESCRIPTION |
|------|----------|----------------------------------|
| 15 | 1-4354 | WASHER, Lift Lever (2) |
| 16 | 2-3197 | BEARING, Lift Lever (2) |
| 17 | 1-5464 | STUD |
| 18 | 4-7933 | PIVOT ASSM'Y., Lift Lever |
| 19 | 9-0390 | WASHER, 3/8 Int. Tooth Lock |
| 20 | 9-0155 | NUT, 3/8-24 Hex |
| 21 | 1-2407 | PIN, Clevis, 5/16x1-11/16" |
| 22 | 9-0613 | LOCKNUT, 3/8-16 Hex Flange (2) |
| 23 | 3-8376 | QUADRANT, Lift Lever |
| 24 | 9-0612 | BOLT, 3/8-16 Hex Flange Lock (2) |
| 25 | 1-4432 | SPRING, Lift Lever |
| 26 | 1-5019 | PLUG, Lift Lever |
| 27 | 9-0881 | GROOVE-PIN, 1/4x2-1/4" |

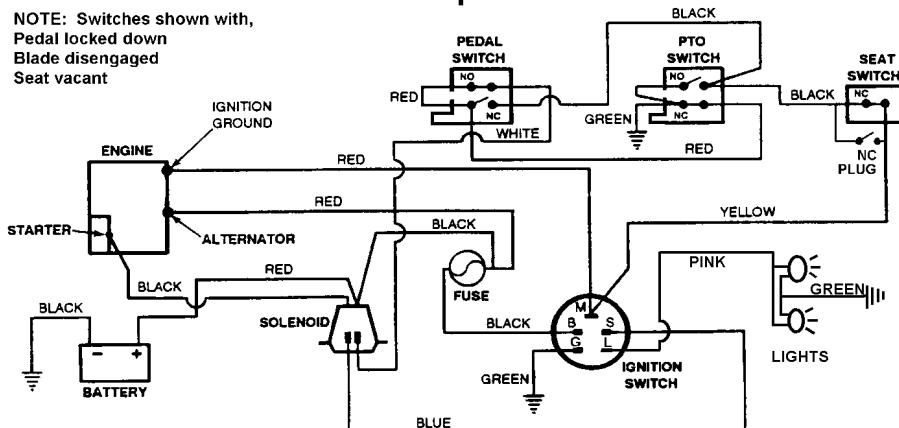
ELECTRICAL SYSTEM



| ITEM | PART NO. | DESCRIPTION |
|------|----------|---------------------------------|
| 1 | 1-7025 | HARNESS, Wiring (B.&S.) |
| 2 | 1-9043 | HARNESS, Interlock |
| 3 | 2-3355 | SWITCH, Clutch & PTO (2) |
| 4 | 1-7590 | SWITCH, Seat NC |
| 5 | 1-8604 | SOLENOID |
| 6 | 2-3187 | SWITCH, Light |
| 7 | 1-8562 | SWITCH, Key (Includes 2 item 9) |
| 8 | 2-3504 | KEY (2) |
| 9 | 2-3505 | NUT, 5/8-32 Hex |
| 10 | 1-2444 | COVER, Positive Terminal |
| 11 | 1-4475 | CABLE, Negative 15" |

| ITEM | PART NO. | DESCRIPTION |
|------|----------|---------------------------------|
| 12 | 9-0074 | BOLT, 1/4-20x3/4" Carriage (2) |
| 13 | 9-0311 | WING NUT, 1/4-20 (2) |
| 14 | 6-0618 | KIT, Battery |
| 15 | 9-0539 | SCREW, 1/4-20x1/2" Self-Tapping |
| 16 | 1-4451 | TIE, Wire (2) |
| 17 | 9-0307 | SCREW, #10-24x1/2" Self-Tapping |
| 18 | 1-2691 | CLIP |
| 19 | 1-2080 | TIE, Cable (2) 7" |
| 20 | 1-4476 | CABLE, Positive 11" |
| 21 | 2-3506 | BEZEL |
| 22 | 2-3653 | FUSE, 20 Amp |
| 23 | 1-9041 | HARNESS, Head Light Wiring |

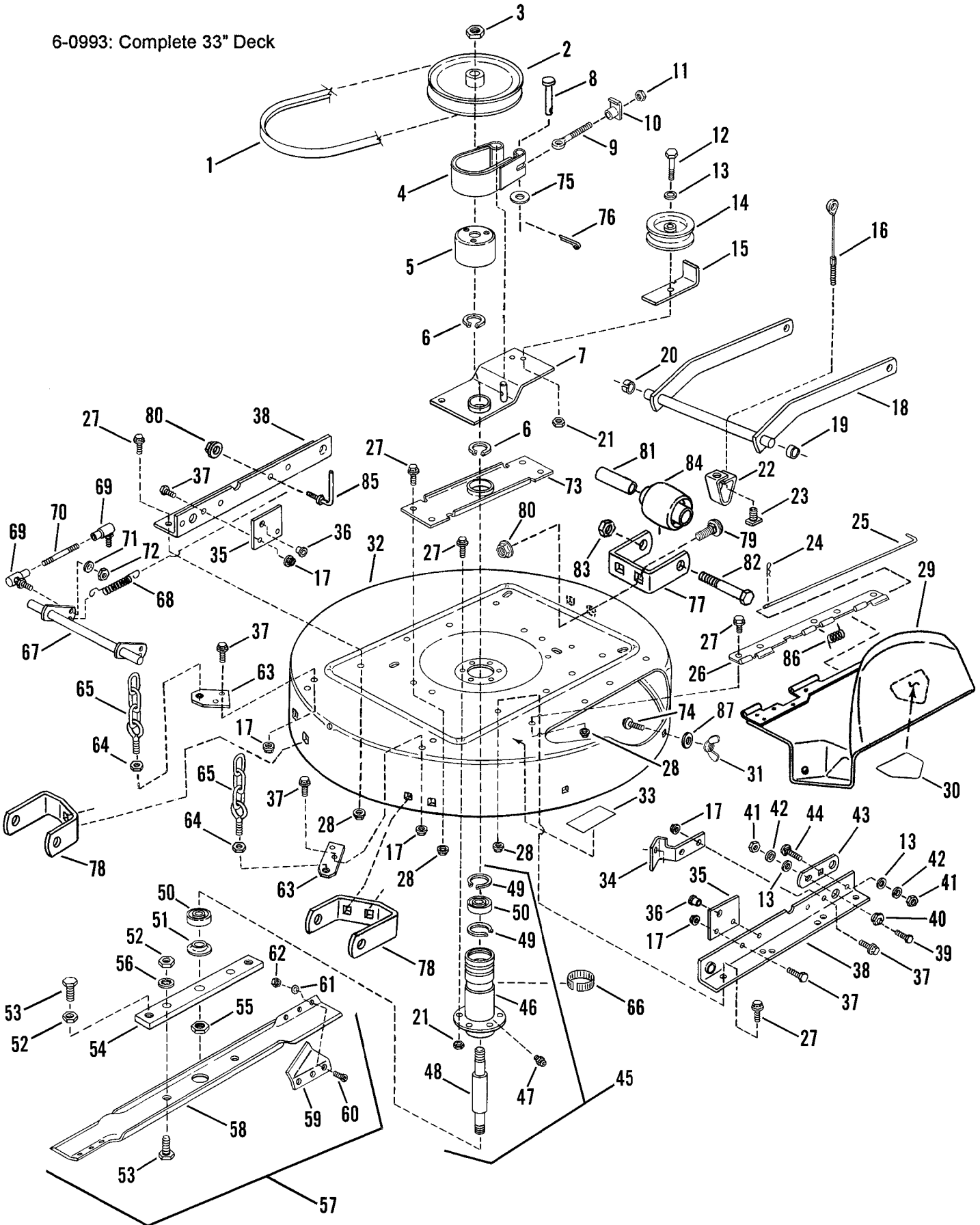
NOTE: Switches shown with, Pedal locked down
Blade disengaged
Seat vacant



| IGNITION SWITCH | |
|-----------------|----------------|
| POSITION | CIRCUIT "MAKE" |
| 1. OFF | G-M |
| 2. RUN | B-L |
| 3. START | B-S |

33" CUTTING DECK, BELTS, BRAKES

6-0993: Complete 33" Deck

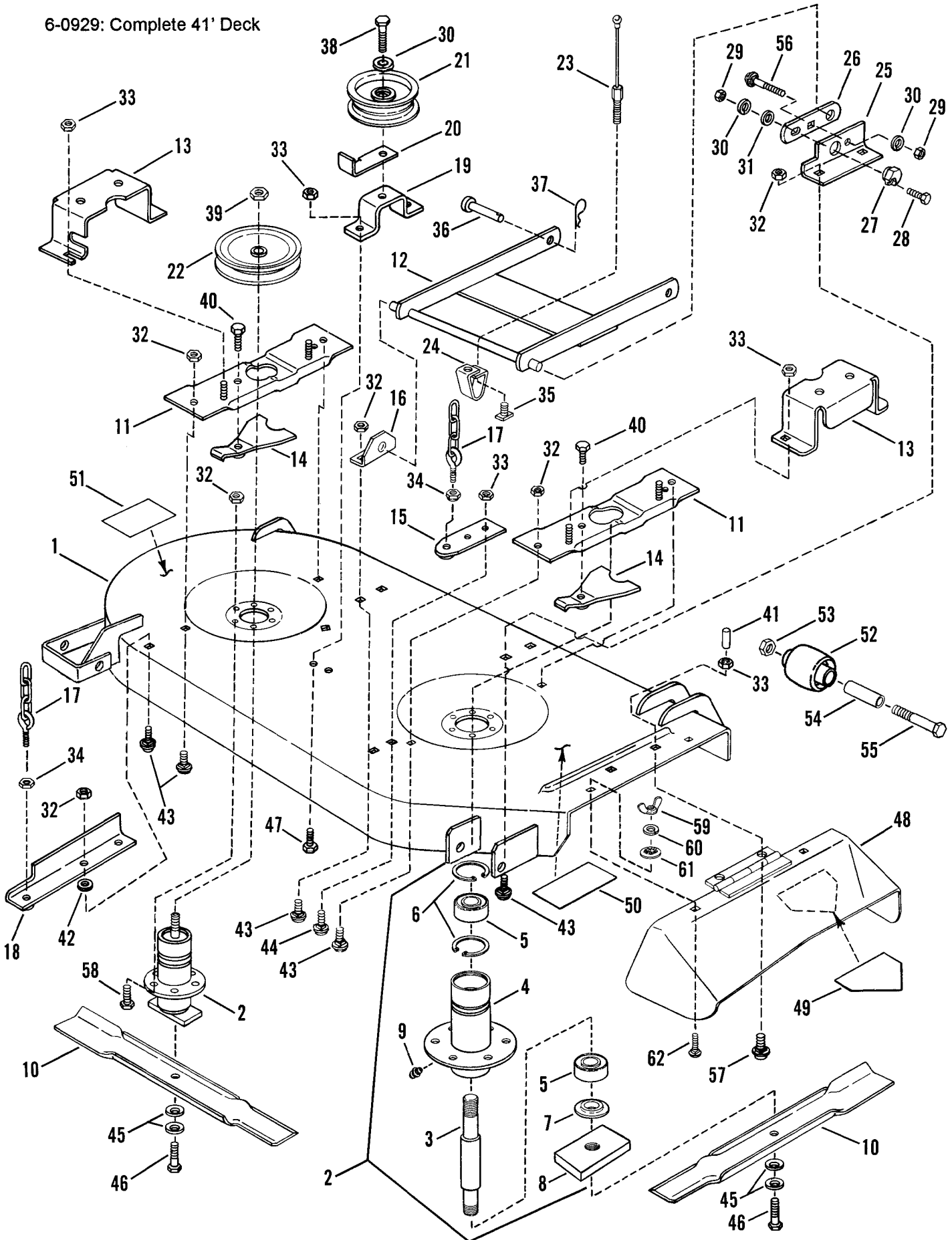


33" CUTTING DECK, BELTS, BRAKES

| ITEM | PART NO. | DESCRIPTION | ITEM | PART NO. | DESCRIPTION |
|------|----------|---|------|----------|--|
| 1 | 2-3710 | BELT, 33" Drive A-59 60.8" | 45 | 5-9784 | ASSEMBLY, Spindle (Includes items 46 thru 55) |
| 2 | 1-8581 | PULLEY, 8" O.D. | 46 | 5-2294 | HOUSING, Spindle (Includes item 47) |
| 3 | 1-0027 | NUT, 3/4-16 Hex Jam | 47 | 1-0817 | FITTING, Lube |
| 4 | 5-7307 | BAND, Brake | 48 | 2-7711 | SPINDLE, 33" Mower Deck 8.26" |
| 5 | 3-2169 | DRUM, Brake | 49 | 1-2491 | RING, Retaining (2) |
| 6 | 1-0740 | RING, Retaining (2) | 50 | 1-3313 | BEARING, Spindle (2) |
| 7 | 4-7961 | ARM, Idler | 51 | 1-4407 | WASHER, Spindle |
| 8 | 1-4304 | PIN, 1/4x1-1/4" Clevis | 52 | 9-0559 | NUT, 1/2-20 Hex Jam (4)(2 in assembly) |
| 9 | 1-4302 | BOLT, 1/4-20 Eye | 53 | 9-0392 | SCREW, 1/2-20 Hex Head Cap (4)(2 in assembly) |
| 10 | 1-4303 | NUT, 1/4-20 Tee | 54 | 3-7751 | HOLDER, Blade |
| 11 | 9-0063 | NUT, 1/4-20 Hex | 55 | 9-0356 | NUT, 5/8-18 Hex Lock |
| 12 | 9-0164 | SCREW, 3/8-24x1-1/2" Hex Head Cap | 56 | 9-0509 | WASHER, 1/2 Internal Tooth Lock (2) |
| 13 | 9-0122 | WASHER, 3/8 SAE (3) | 57 | 5-7482 | ASSEMBLY, Blade & Air Lift (Includes items 58 thru 62) |
| 14 | 1-8574 | PULLEY, Idler, 4.12 O.D. | 58 | 1-9523 | BLADE, 33" Mower Deck |
| 15 | 3-2368 | GUIDE, Belt | 59 | 3-7723 | AIR-LIFT (2) |
| 16 | 2-3180 | CABLE, Front Lift | 60 | 9-0228 | SCREW, 5/16-24x11/16" Machine (6) |
| 17 | 9-0585 | LOCKNUT, 5/16-18 Hex Flange (10) | 61 | 9-0391 | WASHER, 5/16-24 Internal Tooth Lock (6) |
| 18 | 4-7959 | LIFT, Front Arm | 62 | 9-0223 | NUT, 5/16-24 Hex (6) |
| 19 | 1-2067 | RING, Red (Right Side) | 63 | 5-1883 | ASSEMBLY, Bracket, Rear Lift (2) |
| 20 | 1-0996 | RING, White (Left Side) | 64 | 9-0665 | NUT, 3/8-16 Hex Jam (2) |
| 21 | 9-0289 | LOCKNUT, 3/8-24 Hex (7) | 65 | 5-1749 | ASSEMBLY, Bolt-Chain (2) |
| 22 | 3-8043 | BRACKET, Front Lift Hanger | 66 | 1-2670 | RING, Tolerance |
| 23 | 9-0388 | T-NUT, 5/16-18 | 67 | 4-7960 | CROSS-SHAFT |
| 24 | 1-5067 | PIN, Hair | 68 | 1-6153 | SPRING |
| 25 | 3-1914 | PIN, Hinge | 69 | 1-5753 | BALL-JOINT (2) |
| 26 | 3-9586 | HINGE, Deflector | 70 | 2-3687 | LINK, Ball Joint |
| 27 | 9-0612 | BOLT, 3/8-16x3/4" Hex Flange Lock (14) | 71 | 9-0053 | WASHER, 1/4 Internal Tooth Lock (2) |
| 28 | 9-0613 | LOCKNUT, 3/8-16 Hex Flange (14) | 72 | 9-0095 | NUT, 1/4-28 Hex (2) |
| 29 | 5-1978 | ASSEMBLY, Deflector (Includes item 30) | 73 | 3-8018 | BRACE, Spindle |
| 30 | 1-3010 | DECAL, Danger (Cut Finger) | 74 | 9-0001 | BOLT, 5/16-18x3/4" Short Neck Carriage (2) |
| 31 | 9-0492 | WING-NUT, 5/16-18(2) | 75 | 9-0055 | WASHER |
| 32 | 5-1917 | DECK, Cutting, 33" | 76 | 9-0037 | COTTER-PIN, 3/32x3/4" |
| 33 | 1-4416 | DECAL, Caution (Deflector-Adapter) | 77 | 3-8451 | BRACKET, Gage Wheel (Front) |
| 34 | 3-8455 | ANCHOR, Brake | 78 | 3-8450 | BRACKET, Gage Wheel (Rear)(2) |
| 35 | 3-2803 | BRACKET, Cross-Shaft (2) | 79 | 9-0004 | BOLT, 5/16-18x1/2" Short Neck Carriage (6) |
| 36 | 1-1016 | BEARING, Cross-Shaft Bracket (2) | 80 | 9-0585 | NUT, 5/16-18 Hex Flange Lock (7) |
| 37 | 9-0721 | BOLT, 5/16-18x1/2" Hex Flange Lock (10) | 81 | 1-5272 | SPACER (3) |
| 38 | 3-8453 | RAIL, Side (2) | 82 | 9-0859 | SCREW, 3/8-24x3-3/4" H.H.C. (3) |
| 39 | 9-0563 | SCREW, 3/8-16x1" Hex Head Cap | 83 | 9-0289 | LOCKNUT, 3/8-24 Hex (3) |
| 40 | 1-5012 | ECCENTRIC, Leveling | 84 | 1-9190 | WHEEL, Gage (3) |
| 41 | 9-0130 | NUT, 3/8-16 Hex (2) | 85 | 2-3874 | GUIDE, Belt |
| 42 | 9-0118 | LOCKWASHER, 3/8 Split (2) | 86 | 1-2303 | SPRING, Hinge |
| 43 | 3-2432 | LINK, Adjustment | 87 | 9-0188 | WASHER, 5/16 Flat (2) |
| 44 | 9-0850 | BOLT, 3/8-16x3/4" Carriage | | | |

41" CUTTING DECK (BELT, BLADE BRAKE SHOWN ON PAGE 28)

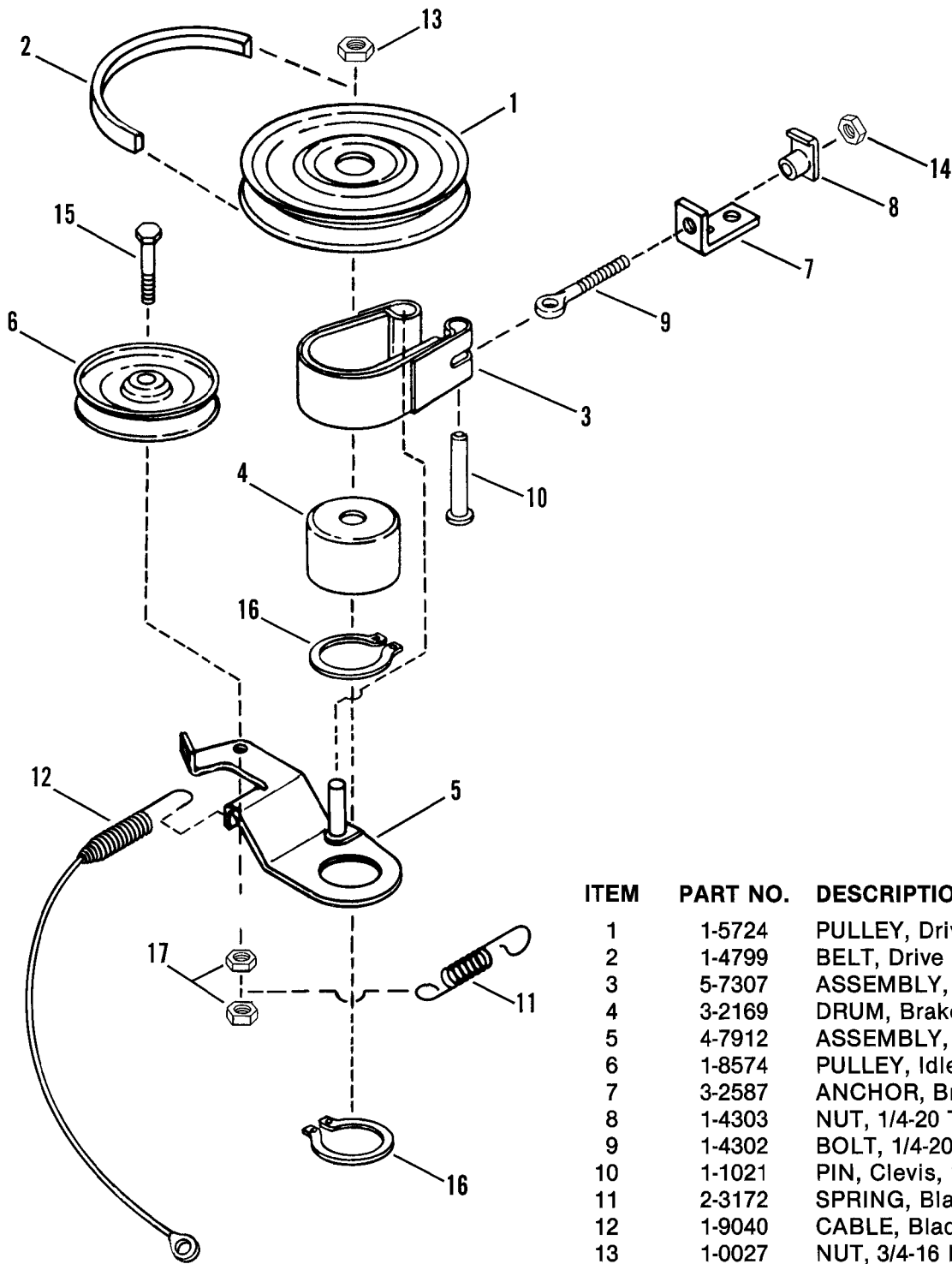
6-0929: Complete 41' Deck



41" CUTTING DECK (BELT, BLADE BRAKE SHOWN ON PAGE 28)

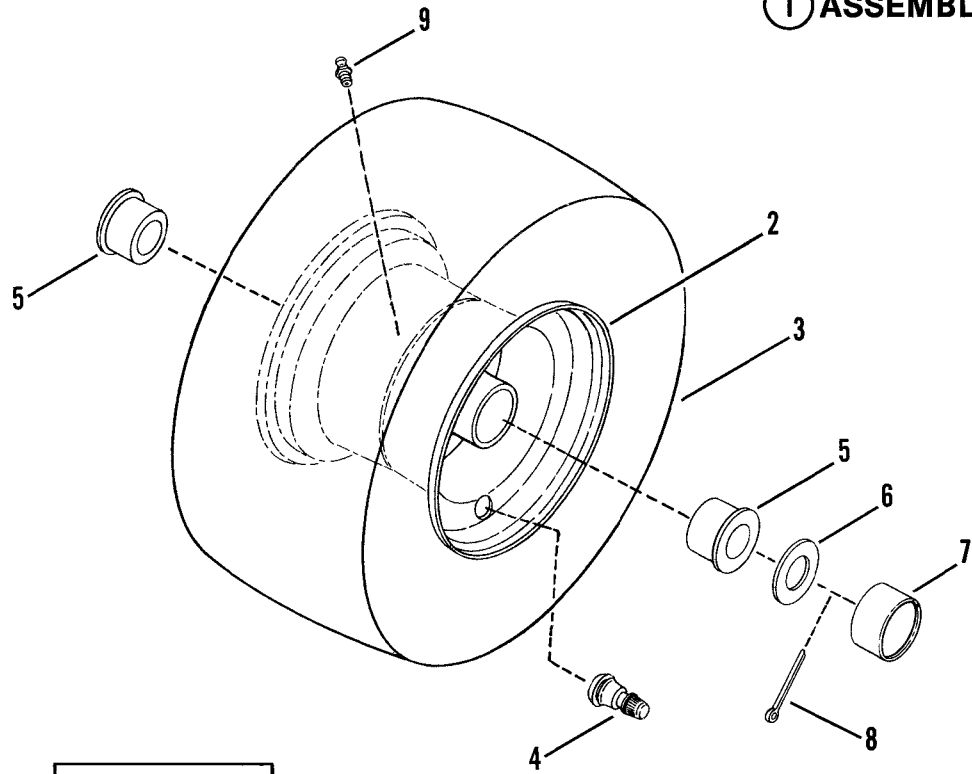
| ITEM | PART NO. | DESCRIPTION |
|------|----------|--|
| 1 | 5-1916 | DECK, Mower 41" (Includes items 50 & 51) |
| 2 | 5-1914 | ASSEMBLY, Spindle (Includes items 3 thru 9)(2) |
| 3 | 2-7668 | SPINDLE 6.5" |
| 4 | 5-1918 | HOUSING, Spindle (Includes item 9) |
| 5 | 1-3313 | BEARING, Spindle (2) |
| 6 | 1-2491 | RING, Retaining (2) |
| 7 | 1-4407 | WASHER, Spindle |
| 8 | 3-2294 | HOLDER, Blade |
| 9 | 1-0817 | FITTING, Lube |
| 10 | 1-9795 | BLADE, 21" Cutter (2) |
| 11 | 5-1769 | ASSEMBLY, Rear Support (2) |
| 12 | 4-9762 | ASSEMBLY, Front Hanger |
| 13 | 3-8389 | GUARD, Pulley |
| 14 | 5-1747 | ASSEMBLY, Spindle Lock (2) |
| 15 | 5-1750 | ASSEMBLY, Chain Support |
| 16 | 3-2297 | BRACKET, Front Left Hanger |
| 17 | 5-1749 | ASSEMBLY, Bolt Chain (2) |
| 18 | 5-7535 | ASSEMBLY, Rear Support |
| 19 | 5-1748 | BRACKET, Idler Mount |
| 20 | 3-2368 | GUIDE, Belt |
| 21 | 1-8574 | PULLEY, Idler (2) |
| 22 | 1-5724 | PULLEY, Spindle (2) |
| 23 | 2-3180 | CABLE, Front Lift |
| 24 | 3-8043 | BRACKET, Front Lift Arm Hanger |
| 25 | 3-8382 | BRACKET, Front Right |
| 26 | 3-2432 | LINK, Adjustment |
| 27 | 1-5012 | RING, Adjustment |
| 28 | 9-0563 | SCREW, 3/8-16x1" Hex Head Cap |
| 29 | 9-0130 | NUT, 3/8-16 Hex (2) |
| 30 | 9-0118 | WASHER, 3/8 Split Lock (2) |
| 31 | 9-0122 | WASHER, 3/8 Flat |
| 32 | 9-0613 | NUT, 3/8-16 Hex Flange Lock (22) |
| 33 | 9-0585 | NUT, 5/16-18 Hex Flange Lock (9) |
| 34 | 9-0665 | NUT, 3/8-16 Hex Jam (2) |
| 35 | 9-0388 | T-NUT, 5/16-18 |
| 36 | 1-2951 | PIN, 1/2x1-3/8" Clevis |
| 37 | 1-3844 | HAIRPIN, Cotter |
| 38 | 9-0655 | SCREW, 3/8-16x1-1/2" Hex Cap |
| 39 | 1-0027 | NUT, 3/4-16 Hex Jam (2) |
| 40 | 9-0582 | BOLT, 3/8-16x1" Hex Flange Lock (2) |
| 41 | 2-3606 | CAP, Vinyl (2) |
| 42 | 9-0600 | WASHER, 7/16 Flat |
| 43 | 9-0850 | BOLT, 3/8-16x3/4" Carriage (9) |
| 44 | 9-0788 | BOLT, 5/16-18x3/4" Carriage (2) |
| 45 | 1-2063 | WASHER, 13/32x1-13/32" Dia. Cone (4) |
| 46 | 9-0824 | SCREW, 3/8-24x1-1/4" Hex Cap (2) |
| 47 | 9-0595 | BOLT, 5/16-18x3/4" Hex Flange Lock |
| 48 | 5-1401 | DEFLECTOR, Side Chute (Includes item 49) |
| 49 | 1-3010 | DECAL, Danger |
| 50 | 1-4852 | DECAL, Caution (Deflector in Place) |
| 51 | 1-4853 | DECAL, Caution (Rotating Blades) |
| 52 | 1-9190 | WHEEL, Gage (4) |
| 53 | 9-0289 | LOCKNUT, 3/8-24 Hex (4) |
| 54 | 1-5272 | SPACER(4) |
| 55 | 9-0859 | SCREW, 3/8-24x3-3/4" Hex Hd. Cap (4) |
| 56 | 9-0850 | BOLT, 3/8-16x3/4" Short Neck Carriage |
| 57 | 9-0383 | BOLT, 5/16-18x1" Short Neck Carriage (2) |
| 58 | 9-0612 | BOLT, 3/8-16x3/4" Hex Flange Lock (12) |
| 59 | 9-0375 | WING-NUT, 5/16-18 (2) |
| 60 | 9-0187 | WASHER, 5/16 Split Lock (2) |
| 61 | 1-1791 | RETAINER, 5/16 Bolt |
| 62 | 9-0799 | BOLT, 5/16-18x5/8" Carriage (2) |
| * | 6-0929 | ASSEMBLY, 41" Deck Complete |

BELT, BLADE BRAKE, 41" DECK



| ITEM | PART NO. | DESCRIPTION |
|------|----------|---------------------------------------|
| 1 | 1-5724 | PULLEY, Drive |
| 2 | 1-4799 | BELT, Drive |
| 3 | 5-7307 | ASSEMBLY, Brake Band |
| 4 | 3-2169 | DRUM, Brake |
| 5 | 4-7912 | ASSEMBLY, Brake Arm |
| 6 | 1-8574 | PULLEY, Idler |
| 7 | 3-2587 | ANCHOR, Brake |
| 8 | 1-4303 | NUT, 1/4-20 Tec. |
| 9 | 1-4302 | BOLT, 1/4-20 Eye |
| 10 | 1-1021 | PIN, Clevis, 1/4x1-1/4" |
| 11 | 2-3172 | SPRING, Blade Brake |
| 12 | 1-9040 | CABLE, Blade 28.5" |
| 13 | 1-0027 | NUT, 3/4-16 Hex Jam |
| 14 | 9-0063 | NUT, 1/4-20 Hex |
| 15 | 9-0167 | SCREW, 3/8-24x2" Hex Head Cap (Gr. 5) |
| 16 | 1-0740 | RING, Retainer (2) |
| 17 | 9-0289 | NUT, 3/8-24 Hex Lock (2) |

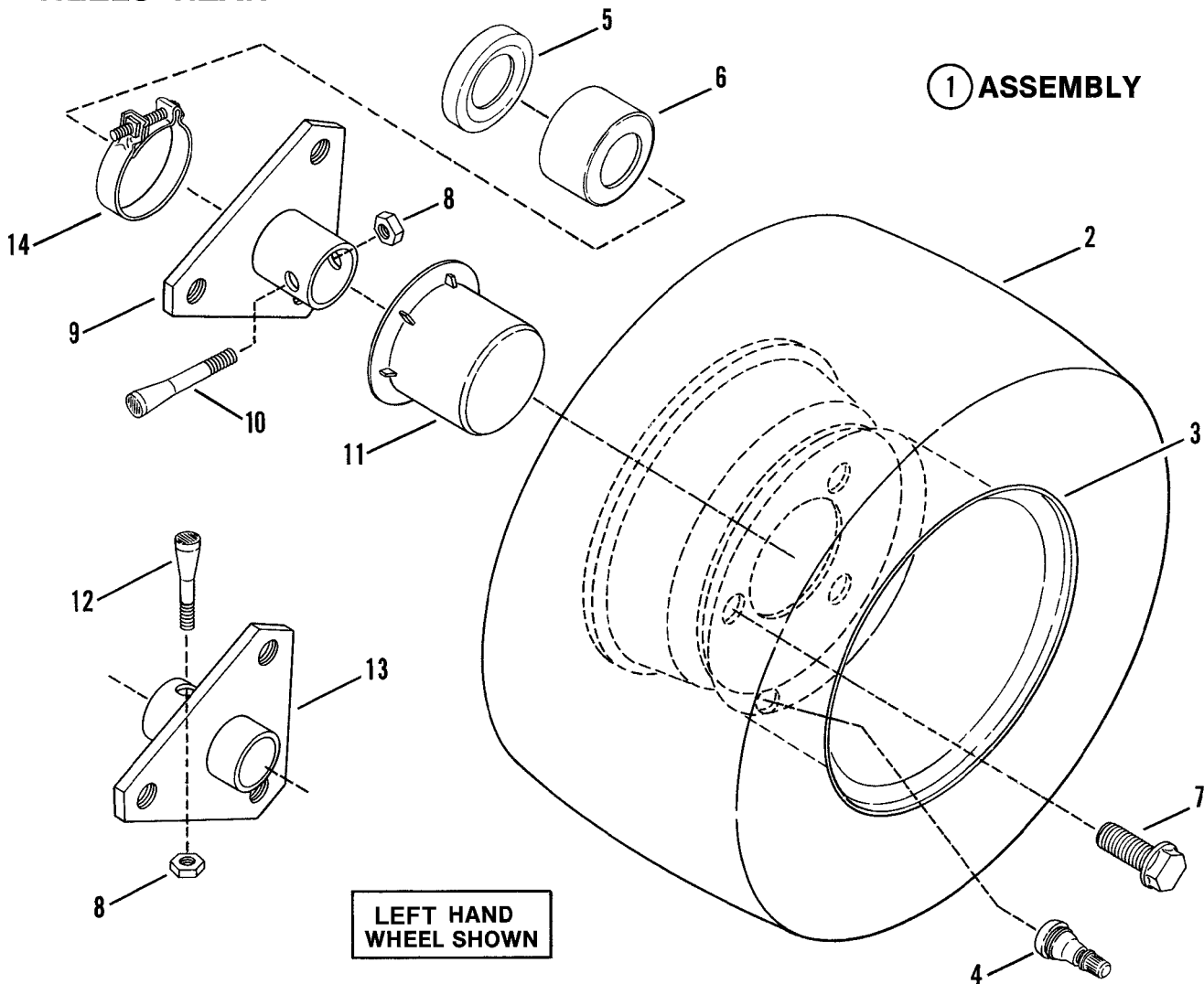
① ASSEMBLY



LEFT HAND
WHEEL SHOWN

| ITEM | PART NO. | DESCRIPTION |
|------|----------|--|
| 1 | 5-1372 | ASSEMBLY, Front tire & Rim (Includes items 2,3,&4) |
| 2 | 1-9718 | RIM, 6x4.50 |
| 3 | 1-4350 | TIRE, 15x6.00x6 |
| 4 | 1-2234 | VALVE, Air |
| 5 | 1-4483 | BEARING, Wheel (2) |
| 6 | 3-2027 | WASHER |
| 7 | 1-1022 | COVER, Dust |
| 8 | 9-0364 | COTTER-PIN |
| 9 | 1-3876 | FITTING, Lube |

WHEELS - REAR

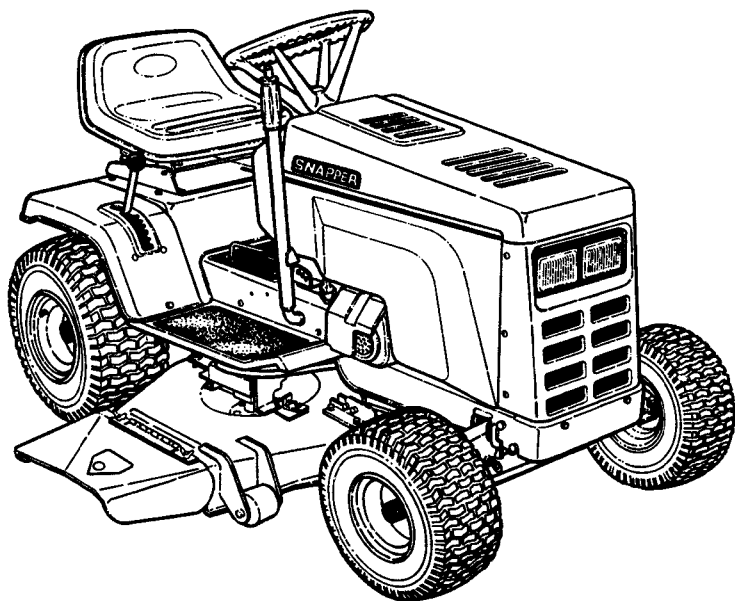


**LEFT HAND
WHEEL SHOWN**

| ITEM | PART NO. | DESCRIPTION |
|------|----------|--|
| 1 | 5-1754 | ASSEMBLY, Rear Tire & Rim (41" Deck)(Includes items 2,3,& 4) |
| - | 5-1831 | ASSEMBLY, Rear Tire & Rim (33" Deck)(Includes items 2,3,& 4) |
| 2 | 2-3196 | TIRE, 18-8.50x8 (2)(Used with 41" Deck) |
| - | 1-6163 | TIRE, 18-6.50x8 (2)(Used with 33" Deck) |
| 3 | 1-9045 | RIM, 8x7 (2)(Used with 41" Deck) |
| - | 1-7071 | RIM, 8x5.375 (2)(Used with 33" Deck) |
| 4 | 1-2234 | VALVE, Air (Snap-in)(2) |
| 5 | 1-1817 | SEAL, Oil (Left Hand) |
| 6 | 3-1732 | CAP, Seal, (Left Hand) |
| 7 | 9-0367 | BOLT, 1/2-20x3/4" Lug (6) |
| 8 | 1-1201 | NUT, 5/16-24, Lock (2) |
| 9 | 4-0433 | HUB, Rear Wheel,Left Hand 1.126" ID |
| 10 | 1-1013 | BOLT, 5/16-24x2" , Tapered, Left Hand |
| 11 | 1-1052 | HUB-CAP (2) |
| 12 | 1-1035 | BOLT, 5/16-24x1-5/8" , Tapered, Right Hand |
| 13 | 4-0434 | HUB, Rear Wheel, Right Hand .75" ID |
| 14 | 1-1037 | CLAMP |

Parts Manual for

SNAPPER[®]



**LT12D33 & LT12D41
SERIES O TRACTORS**

SNAPPER McDonough, GA., 30253 U.S.A.

#06414 PARTS MANUAL

Revision 2, 10/96 (Replaces 1, 5/91)

Printed in U.S.A.